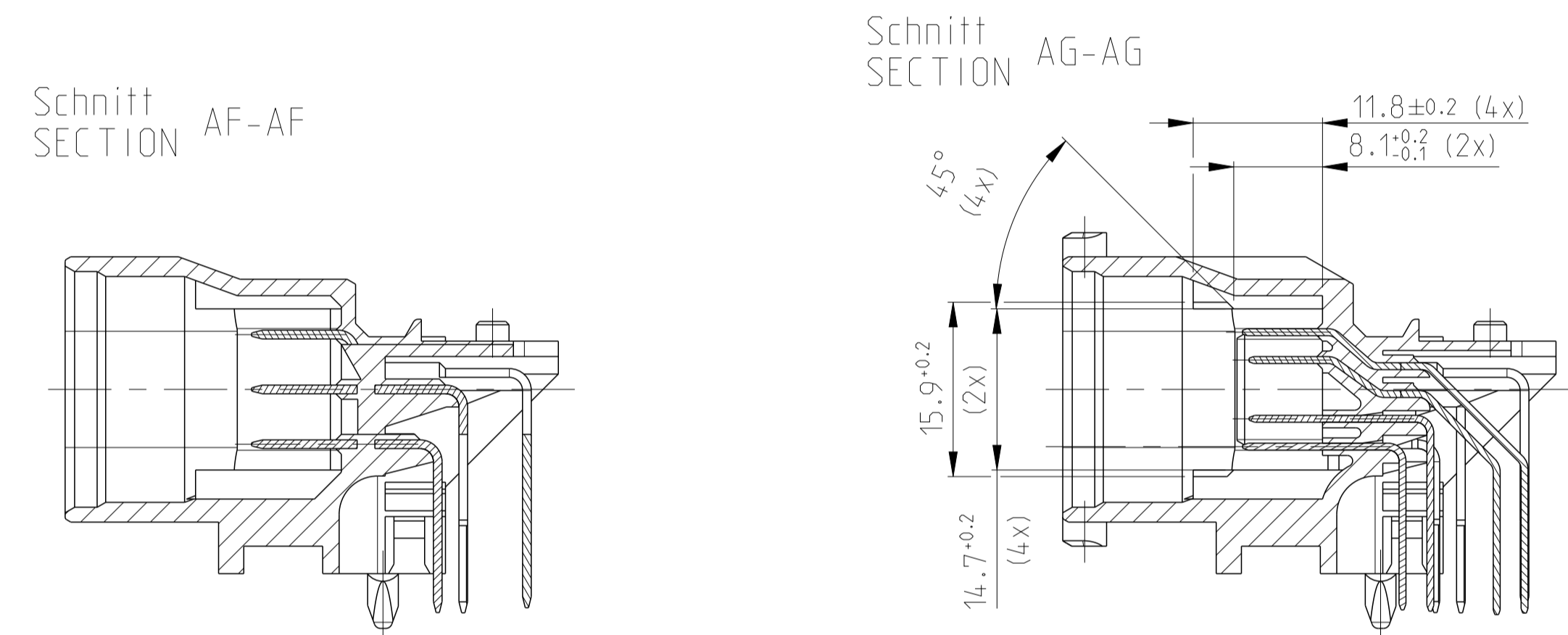
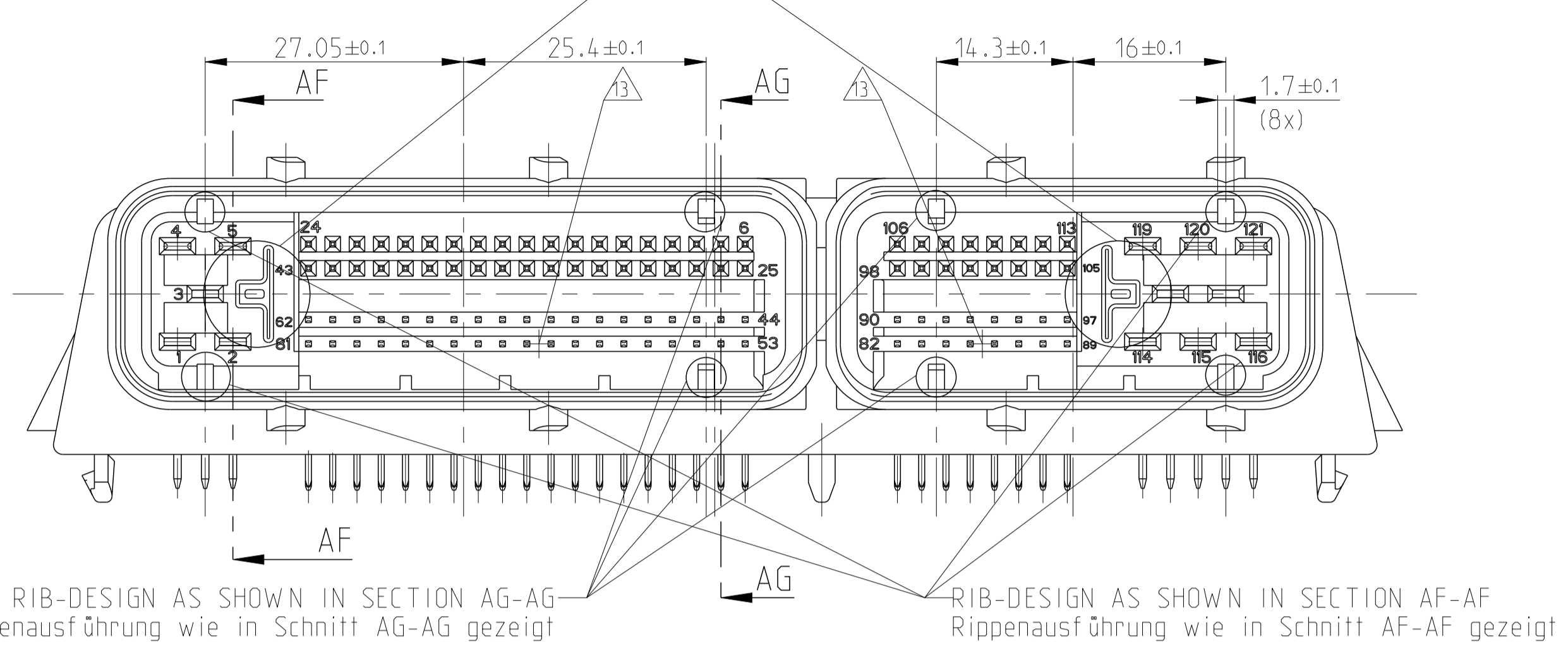


REVISIONS				
P.	LTN	DESCRIPTION	DATE	APPV
-	-	SEE SHEET 1	-	-

0-1241434-1; -3 Kodierung A wie gezeichnet
 Darstellung ohne Zentrierplatte

CODING A
 Kodierung A

0-1241434-1; -3 CODING A AS SHOWN
 SHOWN WITHOUT CENTERPLATE



0-1241434-2; Kodierung B wie gezeichnet
 Darstellung ohne Zentrierplatte

CODING B
 Kodierung B

0-1241434-2; CODING B AS SHOWN
 SHOWN WITHOUT CENTERPLATE

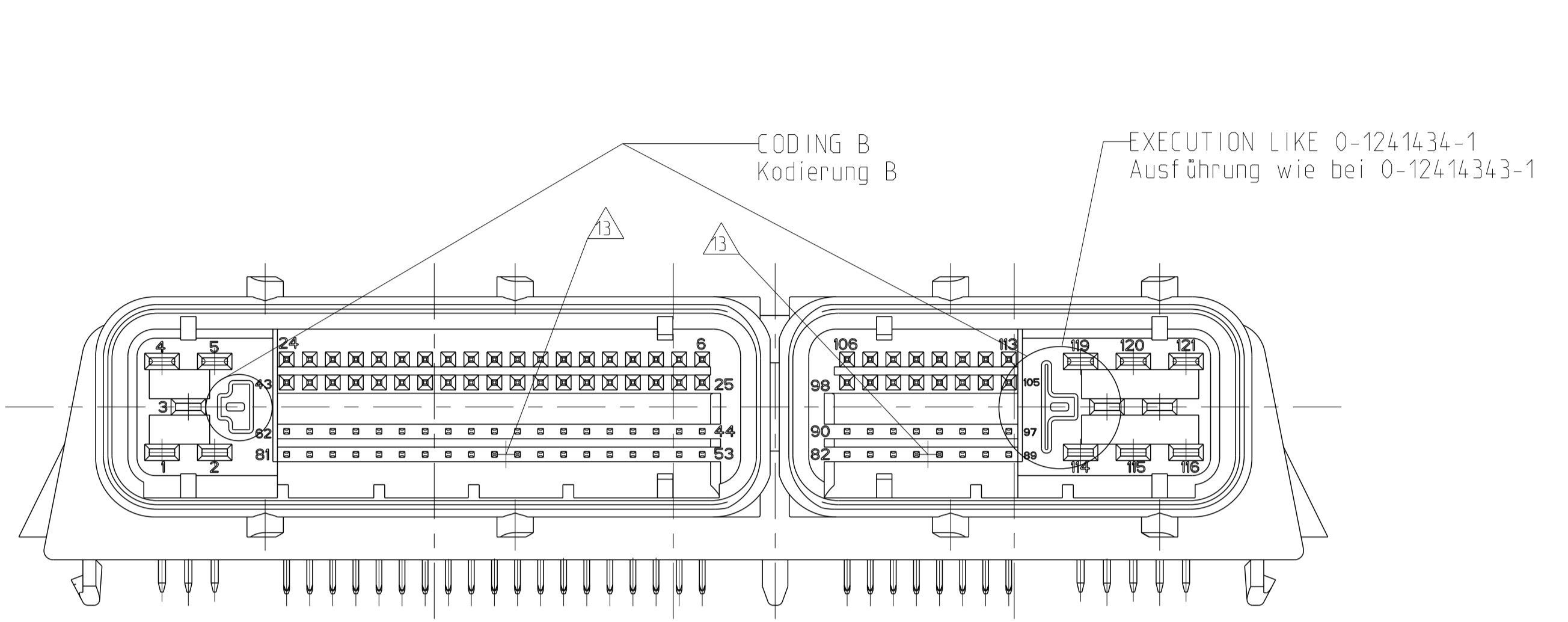


Tabelle 2 / TABLE 2

Stift-/Tab-Leiste PIN-/TAB-HEADER	Passende Buchsenstecker SUITABLE RECEPTACLE-HOUSINGS	
	40pol 40POSN. TE Teil-Nr. TE PART-NO.	81pol. 81POSN. TE Teil-Nr. TE PART-NO.
1241434-1	1355172-1	1355171-1
1241434-2	1355172-1	1355171-2
1241434-3	1355172-1	1355171-1

REVISION	C	C	OBSOLETE	OBSOLETE	C	C					
CODING/Kodierung	A	B	A	A	A	A					
	0-1241434-3	0-1241434-2	0-1241434-1	8-1241434-1	7-1241434-1	0-1241434-1					
	X	X	X	X	X	X	PIN HOUSING, Stiftwanne	1	9	BLACK Schwarz	PA66-GF 30
	X	X	X	X	X	X	TAB 2.8x0.8; LONG Flachstecker 2.8x0.8 lang	5	8	3	CuSn 6
	X	X	X	X	X	X	TAB 2.8x0.8; MIDDLE Flachstecker 2.8x0.8 mittel	3	7	3	CuSn 6
	X	X	X	X	X	X	TAB 2.8x0.8; SHORT Flachstecker 2.8x0.8 kurz	5	6	3	CuSn 6
	X						PIN 0.63; MIDDLE Stift 0.63 mittel	27	3	2	CuFe 2
	X						PIN 0.63; SHORT Stift 0.63 kurz	27	2	2	CuFe 2
	X	X	X	X	X	X	PIN 0.63; VERY LONG Stift 0.63 sehr Lang	27	5	1	CuSn 6
	X	X	X	X	X	X	PIN 0.63; LONG Stift 0.63 lang	27	4	1	CuSn 6
		X	X	X	X	X	PIN 0.63; MIDDLE Stift 0.63 mittel	27	3	1	CuSn 6
		X	X	X	X	X	PIN 0.63; SHORT Stift 0.63 kurz	27	2	1	CuSn 6
	X	X	X	X	X	X	CENTERPLATE Zentrierplatte	1	1	BLACK Schwarz	PA66-GF 50
	ORDER-NO. Bestell-Nr.			SINGLE-PART DESCR. Einzelteil-Benennung		QTY. Stück	ITEM. Pos.	COLOR, Farbe SURFACE, Oberfl. & che	MATERIAL Material		

THIS DRAWING IS A CONTROLLED DOCUMENT. DIMENSIONS: mm. TOLERANCES UNLESS OTHERWISE SPECIFIED: 0 PLC #, 1 PLC #, 2 PLC #, 3 PLC #, 4 PLC #, ANGLES #, FINISH #.

OWN: G.Fischer, 26-FEB-99
 CHK: B.Kirsch, 19-MAR-99
 APPV: M.Bleicher, 30-OCT-06

NAME: PIN-/TAB 2.8x0.8 HEADER, Stift-/Flachstecker 2.8x0.8 Leiste, 108+13POSN. TSMT / JPT

SIZE: A1, CAGE CODE: 00779, DRAWING NO: 1241434, RESTRICTED TO: -

Customer Drawing, WEIGHT: 73 g, SCALE: 2:1, SHEET: 2 OF 2, REV: C15