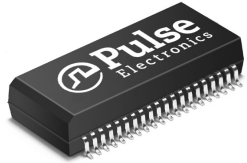


10/100Base-TX Dual Port Transformer Modules

For Use with Transceivers Requiring 1:1 Transmit and Receiving Turns Ratios



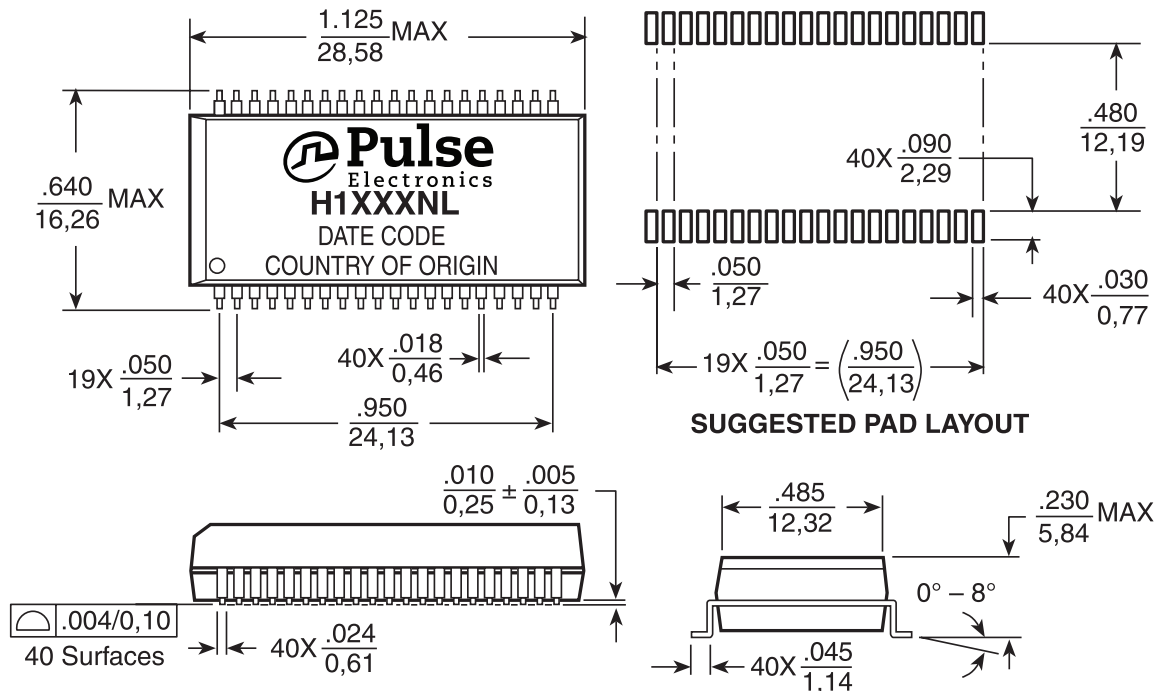
- RoHS reflow temperature rating 245°C
- Meets IEEE 802.3 specification
- Some models offer AutoMDIX capability

Electrical Specifications @ 25°C - Operating Temperature 0°C to +70°C													
Part Number ¹	Insertion Loss (dB TYP)	Return Loss (dB TYP)				Crosstalk (dB TYP)				Differential to Common Mode Rejection (dB MIN)		HiPot (Vrms MIN)	
	0.1-100 MHz	2-30 MHz	40 MHz	50 MHz	60-80 MHz	1 MHz	30 MHz	60 MHz	100 MHz	1-60 MHz	60-200 MHz		
H1028NL ^{2d}	-0.5	-21	-17	-14.5	-12	-65	-55	-45	-35	-45	-35	1500	
H1200NL ^{2d}	-1.0	-16	-14.4	-13	-12	-50	-45	-40	-35	-37	-35	1500	

- When ordering Tape and Reel packaging, add suffix "T" to the end of the part number, for example, H1028NLT.
- MSL = Moisture Sensitivity Level a=1, b=2, c=3, d=4
- Suitable for AutoMDIX applications

Mechanical

H1028NL



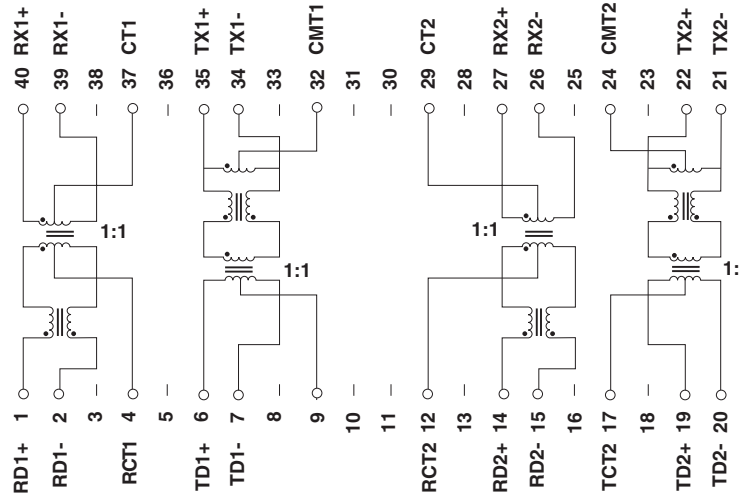
Dimensions: $\frac{\text{Inches}}{\text{mm}}$ Unless otherwise specified, all tolerances are $\pm \frac{.010}{0,25}$

10/100Base-TX Dual Port Transformer Modules

For Use with Transceivers Requiring 1:1 Transmit and Receiving Turns Ratios

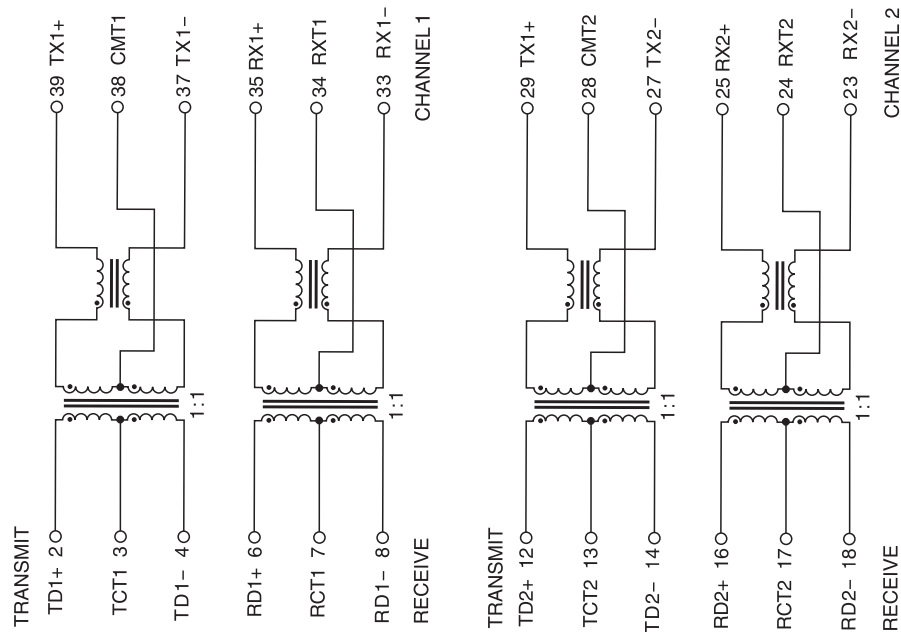
Schematics

H1028NL



H1028 does not have the additional choke.

H1200NL

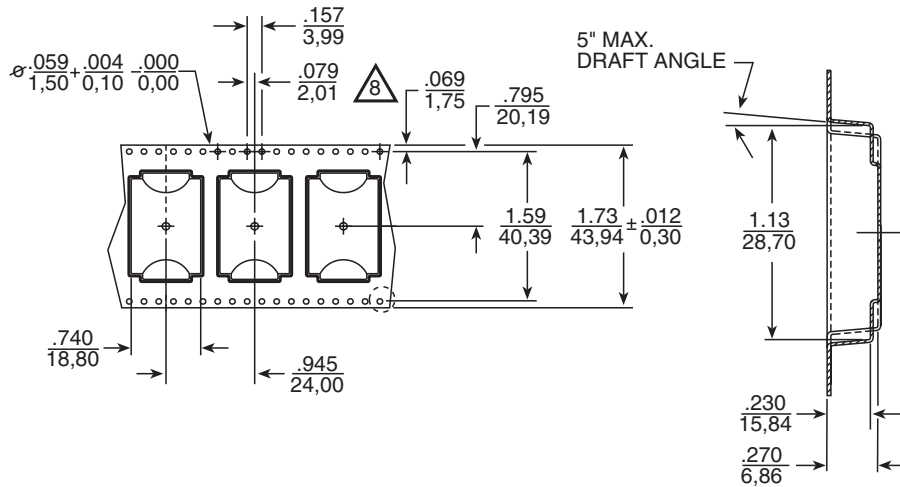


10/100Base-TX Dual Port Transformer Modules

For Use with Transceivers Requiring 1:1 Transmit and Receiving Turns Ratios

Tape & Reel Specifications

HTXXXNL



Weight4.0 grams TYP
Tape & Reel250/reel
Tube15/tube

For More Information:

Americas - prodinfonetworkamericas@pulseelectronics.com | Europe - comms-Apps-Europe@pulseelectronics.com | Asia - prodinfonetworkapac@pulseelectronics.com

Performance warranty of products offered on this data sheet is limited to the parameters specified. Data is subject to change without notice. Other brand and product names mentioned herein may be trademarks or registered trademarks of their respective owners. © Copyright, 2019. Pulse Electronics, Inc. All rights reserved.