

May 17, 2023

### Description

The **XR77103-MoCA** PMIC is designed to power MaxLinear’s MoCA chipsets, the MoCA 2.0 MxL370x and MoCA 2.5 MxL371x along with a single port ethernet PHY such as the GPY241. It features 3 high-efficiency synchronous buck regulators with integrated power switches and sequencing engine to provide the 0.9V, 1.8V, and 3.3V rails of the MoCA SoC. The 0.9V core rail is capable of supplying the 3A peaks demanded by the SoC<sup>(1)</sup> and is compatible with the SoC DVS control.

The XR77103-MoCA can operate from 5V, 9V, and 12V powered systems with minimal required external components, and packaged in a 4x4mm QGN that provides the smallest size solution possible. With a nominal switching frequency of 560kHz, the regulators can also be synchronized to an external clock in applications where EMI control is critical. An internal supervisor circuit monitors each converter output and asserts PGOOD once sequencing is done, outputs are reported in regulation, and the reset timer expires. The polarity of the signal is active high.

#### FEATURES

- 4.5V to 14V wide input supply voltage range
- Built-in MOSFET and synchronous rectifier
- High accuracy 0.9V reference (1%)
- Current-mode control with simple compensation circuit
- External synchronization
- Power good
- Protection
  - Thermal shutdown
  - Overvoltage transient protection
  - Overcurrent protection
- 32-pin 4mm x 4mm TQFN package

#### APPLICATIONS

- MaxLinear MoCA 2.0 MxL370x power
- MaxLinear MoCA 2.5 MxL371x power

Ordering Information - [back page](#)

1. Worst case supply condition at 0.9V power rails around 1ms.

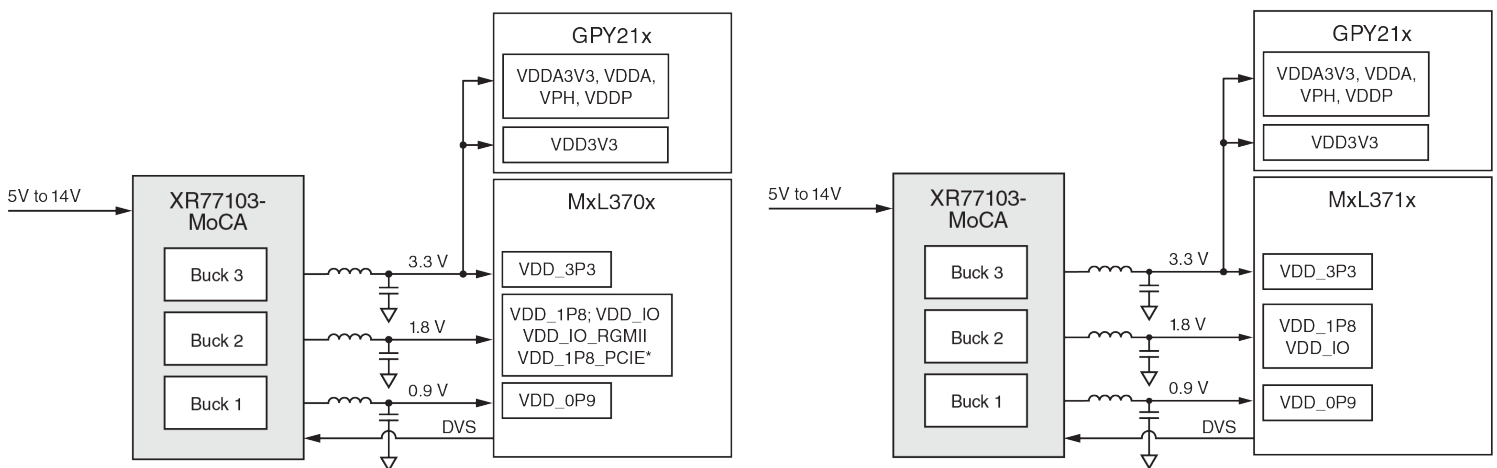


Figure 1. Power Solution for MoCA Coaxial Networking IC

Typical Application

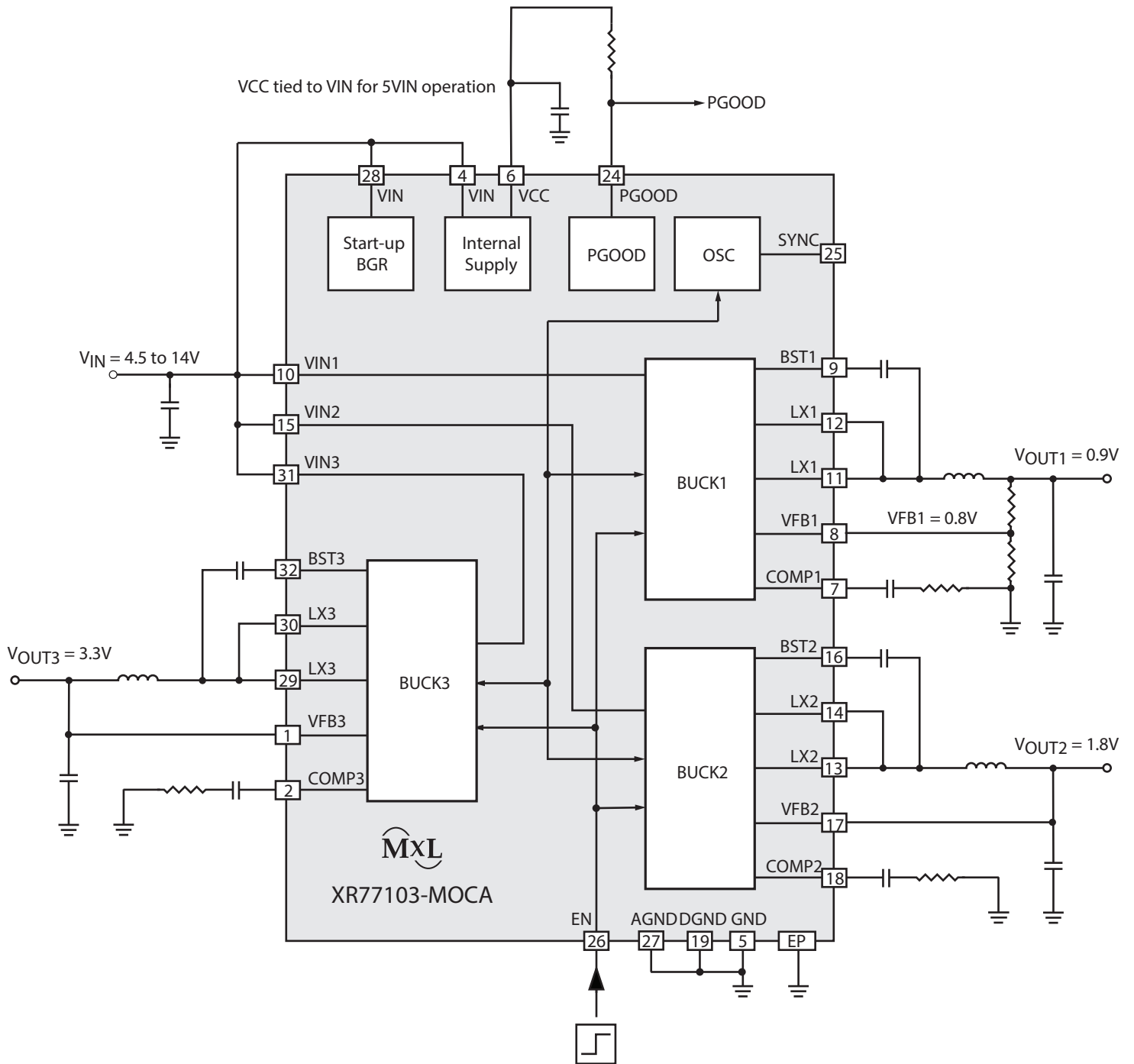


Figure 2. Typical Application

## Absolute Maximum Ratings

These are stress ratings only and functional operation of the device at these ratings or any other above those indicated in the operation sections of the specifications below is not implied. Stresses beyond those listed under absolute maximum ratings may cause permanent damage to the device. Exposure to any absolute maximum rating condition for extended periods may affect device reliability and lifetime.

$V_{IN1}$ , $V_{IN2}$ , $V_{IN3}$ , LX1, LX2, LX3	-0.3V to 18V
EN, $V_{CC}$	-0.3V to 7V
PGOOD, SYNC	-0.3V to 7V
BST# to LX#	-0.3V to 7V
AGND, DGND to GND	-0.3V to 0.3V
Storage temperature	-65°C to 150°C
Junction temperature	150°C
Power dissipation	Internally Limited
Lead temperature (soldering, 10 seconds)	260°C
ESD rating (CDM – charged device model)	700V
ESD rating (HBM – human body model)	2kV

## Operating Conditions

$V_{IN}$	4.5V to 14V
$V_{CC}$	4.5V to 5.5V
LX#	-0.3V to 14V <sup>(1)</sup>
Junction temperature range ( $T_J$ )	-40°C to 125°C
XR77103 package power dissipation max at 25°C	3.4W
XR77103 thermal resistance $\theta_{JA}$	30°C/W

### NOTE:

1. LX# pins' DC range is from -0.3V, transient -1V for less than 10ns.

## Electrical Characteristics

$T_A = 25^\circ\text{C}$ ,  $V_{IN} = 12\text{V}$ , EN =  $V_{CC}$ ,  $f_{SW} = 560\text{kHz}$ , unless otherwise specified. Limits applying over the full operating temperature range are denoted by a ●.

Symbol	Parameter	Conditions	•	Min	Typ	Max	Units
Power Supply Characteristics							
$V_{IN}$	Input voltage range		●	5.5		14	V
		$V_{CC}$ tied to $V_{IN}$	●	4.5		5.5	V
$V_{UVLO}$	UVLO threshold	$V_{IN}$ rising/falling			4.22/4.1		V
$UVLO_{DEGLITCH}$	UVLO deglitch	Rising/falling			110		$\mu\text{s}$
$I_{VIN}$	$V_{IN}$ supply current	EN = GND			250		$\mu\text{A}$
$I_{VINQ}$		EN = high, no load			2.6		mA
Internal Supply Voltage							
$V_{CC}$	Internal biasing supply	$I_{LOAD} = 0\text{mA}$	●	4.9	5	5.1	V
$I_{VCC}$	Internal biasing supply current	$V_{IN} = 12\text{V}$	●			10	mA
$V_{UVLO}$	UVLO threshold for $V_{CC}$	$V_{CC}$ rising			3.8		V
		$V_{CC}$ falling			3.6		V
$UVLO_{DEGLITCH}$	UVLO deglitch for $V_{CC}$	Falling edge			110		$\mu\text{s}$

## Electrical Characteristics (Continued)

$T_A = 25^\circ\text{C}$ ,  $V_{IN} = 12\text{V}$ ,  $EN = V_{CC}$ ,  $f_{SW} = 560\text{kHz}$ , unless otherwise specified. Limits applying over the full operating temperature range are denoted by a •.

Symbol	Parameter	Conditions	•	Min	Typ	Max	Units
Protections							
$T_{SD}$	Thermal shutdown temperature	Temperature rising, Non-latch off.			160		$^\circ\text{C}$
$HY_{TSD}$	Thermal shutdown hysteresis	$T_{SD}$ release threshold, temperature = $T_{SD} - HY_{TSD}$			20		$^\circ\text{C}$
$T_{SD\_DEGLITCH}$	Thermal shutdown deglitch				110		$\mu\text{s}$
$V_{OVBUCK}$	Threshold voltage for buck overvoltage	Output rising (HS FET will be forced off)			109		%
		Output falling (HS FET will be allowed to switch)			107		%
Buck Converter							
$f_{SW}$	Switching frequency				560		kHz
$t_{SS}$	Soft-start period				0.83		ms
$I_{LIMx}$	Peak inductor current limit accuracy	Peak inductor current limit set at 2.5A for $V_{OUT1}$ , and 2A for $V_{OUT2}$ and $V_{OUT3}$		-30		+30	%
$R_{ON\_HSx}$	HS switch on-resistance	$V_{IN} = 12\text{V}$			200		m $\Omega$
$R_{ON\_LS1}$	LS switch on-resistance of Buck1	$V_{IN} = 12\text{V}$			60		m $\Omega$
$R_{ON\_LS2/3}$	LS switch on-resistance of Buck2/3	$V_{IN} = 12\text{V}$			80		m $\Omega$
$I_{OX}$	Output current capability	Loading <sup>(1)</sup>			2	3.2 <sup>(2)</sup>	A
$D_{MAX}$	Maximum duty cycle				95		%
$t_{ON\ MIN}$	Minimum on time				120		ns
	Line regulation ( $\Delta V_{OX}/V_{OX}$ )/ $\Delta V_{INX}$	$V_{INX} = 5.5\text{V to }14\text{V}$ , $I_{OX} = 1\text{A}$			0.5		%/V
		$V_{INX} = 4.5\text{V to }5.5\text{V}$ , $I_{OX} = 1\text{A}$			0.5		%/V
	Load regulation ( $\Delta V_{OX}/V_{OX}$ )	$I_{OX} = 10\%$ to $90\%$ of $I_{O(MAX)}$			0.5		%
	Output voltage accuracy	$V_{IN} = 12\text{V}$		-1		1	%
		$V_{IN} = 5\text{V}$		-1		1	%
		$5.5\text{V} \leq V_{IN} \leq 14\text{V}$	•	-2		2	%
		$4.5\text{V} \leq V_{IN} \leq 5.5\text{V}$	•	-2		2	%
$SYNC_{FREQ}$	Synchronization frequency				560		kHz
$SYNC_{D\_MIN}$	Synchronization signal minimum duty cycle		•	40			%
$SYNC_{D\_MAX}$	Synchronization signal maximum duty cycle		•			60	%

## NOTE:

- Subject to thermal derating and current limit setting. Design must not exceed the package thermal rating.
- Only CH1 with 0.9V can support 3.2A with maximum loading condition.

## Electrical Characteristics (Continued)

$T_A = 25^\circ\text{C}$ ,  $V_{IN} = 12\text{V}$ ,  $EN = V_{CC}$ ,  $f_{SW} = 560\text{kHz}$ , unless otherwise specified. Limits applying over the full operating temperature range are denoted by a •.

Symbol	Parameter	Conditions	•	Min	Typ	Max	Units
Power Good Reset Generator							
$V_{UVBUCK}$	Threshold voltage for buck under voltage	Output falling, (disabled after $t_{ON\_HICCUP}$ )			85		%
		Output rising, (PG will be asserted)			90		
$t_{PG\_DEGLITCH}$	Deglintch time	Rising and falling			11		ms
$t_{ON\_HICCUP}$	Hiccup mode on time	$V_{UVBUCKX}$ asserted			12		ms
$t_{OFF\_HICCUP}$	Hiccup mode off time	Once $t_{OFF\_HICCUP}$ elapses, all converters will start up again			15		ms
$t_{RP}$	Minimum reset period				1		s
	PGOOD output low	$I_{SINK} = 1\text{mA}$	•			0.4	V
Input Threshold (SYNC, EN)							
$V_{IH}$	Input threshold high	$V_{INPUT}$ rising	•	2.53			V
$V_{IL}$	Input threshold low	$V_{INPUT}$ falling	•			1.36	V

## Pin Configuration

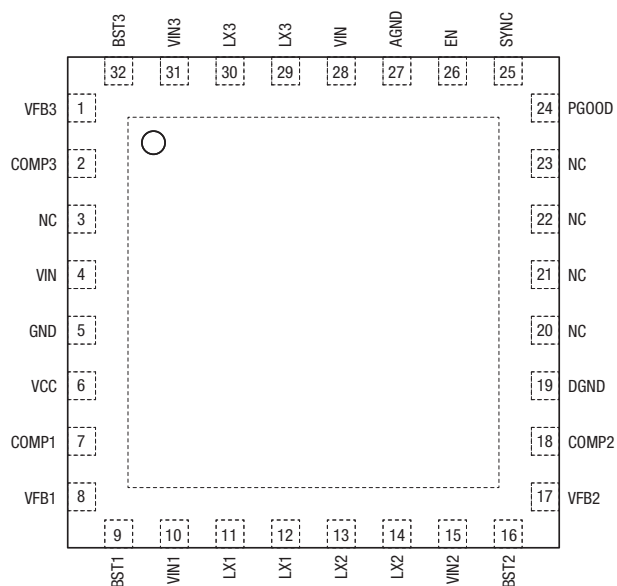


Figure 3. XR77103-MoCA Pinout

## Pin Functions

Pin Number	Pin Name	Description
1	VFB3	Buck 3 feedback pin.
2	COMP3	Compensation pin for Buck 3. Connect a series RC circuit to this pin for compensation.
3	NC	No connect.
4	VIN	IC supply pin. Connect a capacitor as close as possible to this pin.
5	GND	Ground.
6	VCC	Internal supply. Connect a ceramic capacitor from this pin to ground.
7	COMP1	Compensation pin for Buck 1. Connect a series RC circuit to this pin for compensation.
8	VFB1	Buck 1 feedback pin.
9	BST1	Bootstrap capacitor for Buck 1. Connect a bootstrap capacitor from this pin to LX1.
10	VIN1	Input supply for Buck 1. Connect a capacitor as close as possible to this pin.
11	LX1	Switching node for Buck 1.
12	LX1	Switching node for Buck 1.
13	LX2	Switching node for Buck 2.
14	LX2	Switching node for Buck 2.
15	VIN2	Input supply for Buck 2. Connect a capacitor as close as possible to this pin.
16	BST2	Bootstrap capacitor for Buck 2. Connect a bootstrap capacitor from this pin to LX2.
17	VFB2	Buck 2 feedback pin.
18	COMP2	Compensation pin for Buck 2. Connect a series RC circuit to this pin for compensation.
19	DGND	Digital ground.

## Pin Functions (Continued)

Pin Number	Pin Name	Description
20	NC	No connect.
21	NC	No connect.
22	NC	No connect.
23	NC	No connect.
24	PGOOD	Power good output. Open drain output asserted after all converters are sequenced and within regulation.
25	SYNC	External clock input pin. Connect to signal ground when unused.
26	EN	Enable control input. Set EN high to enable converters.
27	AGND	Analog ground.
28	VIN	IC supply pin. Connect a capacitor as close as possible to this pin.
29	LX3	Switching node for Buck 3.
30	LX3	Switching node for Buck 3.
31	VIN3	Input supply for Buck 3. Connect a capacitor as close as possible to this pin.
32	BST3	Bootstrap capacitor for Buck 3. Connect a bootstrap capacitor from this pin to LX3.
-	E-PAD	Connect to power ground.

### Typical Performance Characteristics

All data taken at  $f_{SW} = 560kHz$ ,  $T_A = 25^\circ C$ , no airflow, unless otherwise specified.

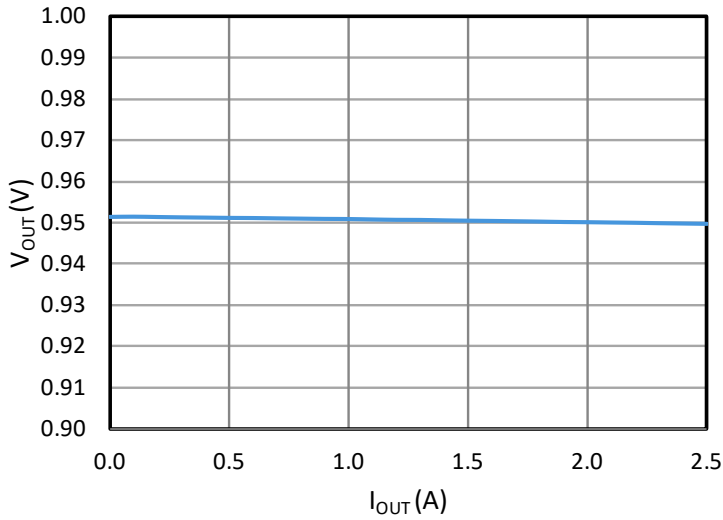


Figure 4. Load Regulation Channel 1,  $12V_{IN}$ ,  $0.9V_{OUT}$

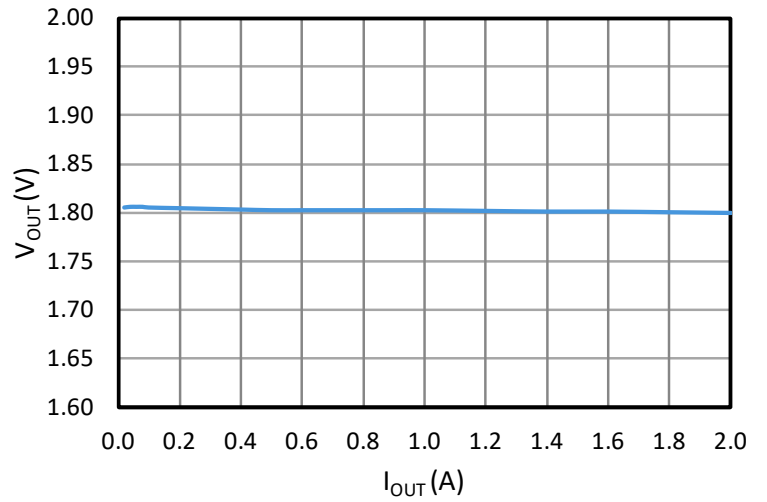


Figure 5. Load Regulation Channel 2,  $12V_{IN}$ ,  $1.8V_{OUT}$

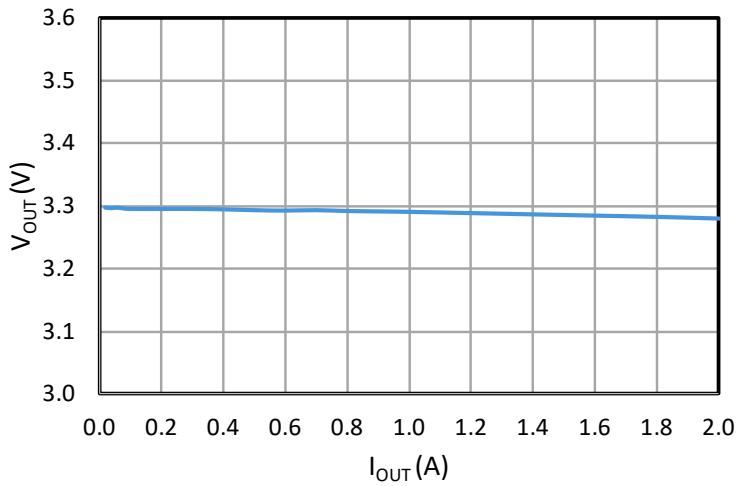


Figure 6. Load Regulation Channel 3,  $12V_{IN}$ ,  $3.3V_{OUT}$

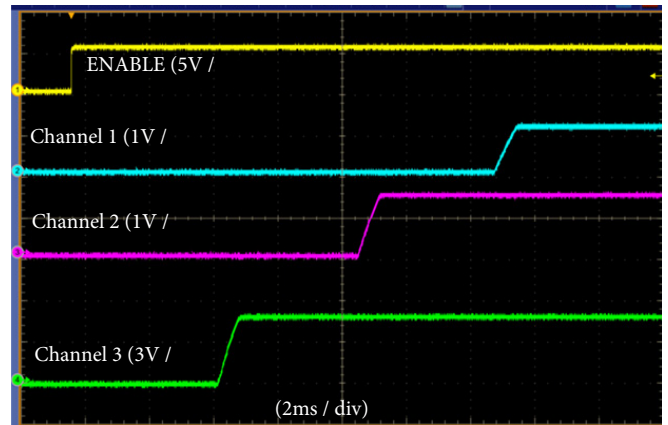


Figure 7. Power-up Sequence



Typical Performance Characteristics (Continued)

All data taken at  $f_{SW} = 560kHz$ ,  $T_A = 25^\circ C$ , no airflow, unless otherwise specified.

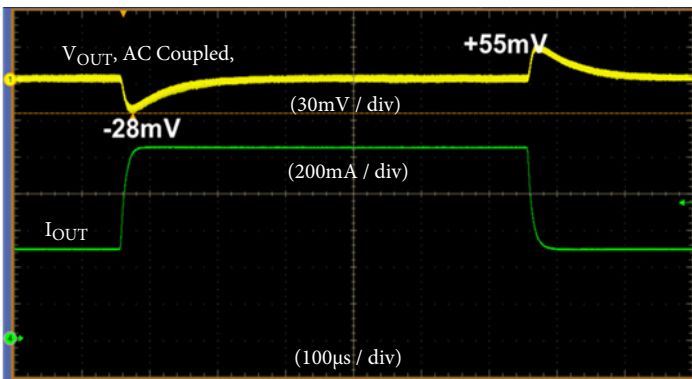


Figure 8.  $12V_{IN}$ ,  $0.9V_{OUT}$   
Transient Response, 0.5A to 1.0A

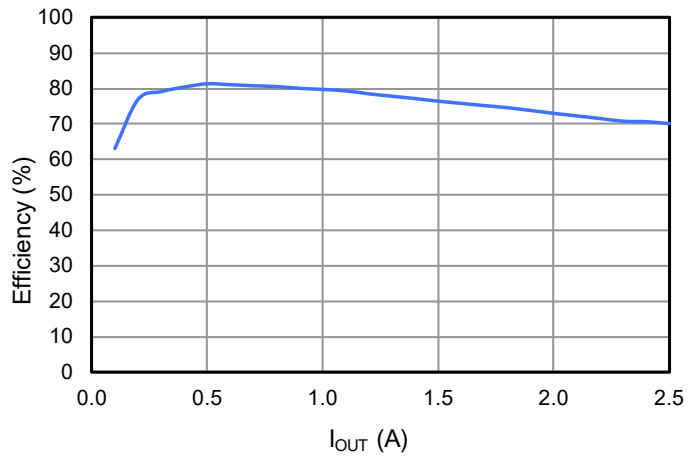


Figure 9. Efficiency Channel 1,  
 $12V_{IN}$   $0.9V_{OUT}$

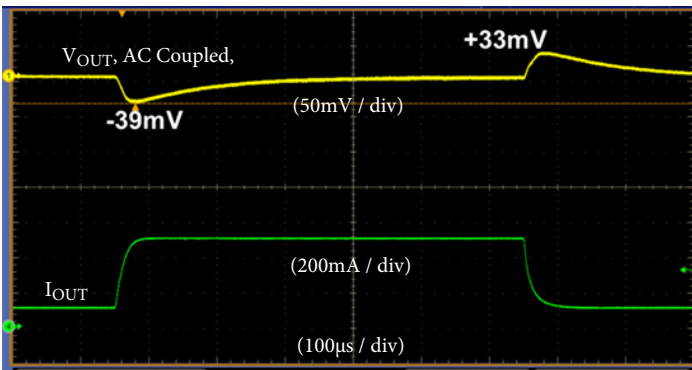


Figure 10.  $12V_{IN}$ ,  $1.8V_{OUT}$   
Transient Response, 0.1A to 0.5A

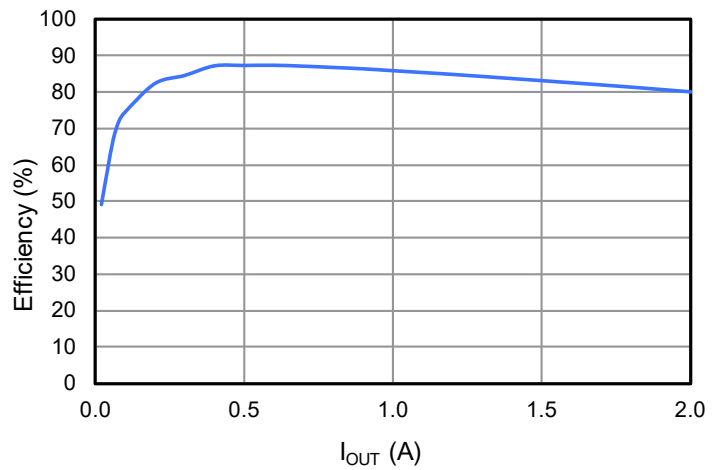


Figure 11. Efficiency Channel 2,  
 $12V_{IN}$   $1.8V_{OUT}$

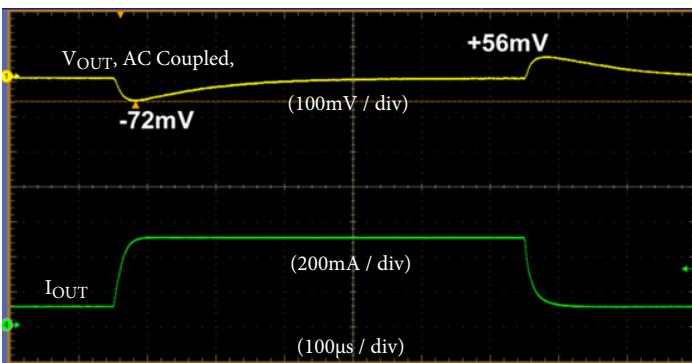


Figure 12.  $12V_{IN}$ ,  $3.3V_{OUT}$   
Transient Response, 0.1A to 0.5A

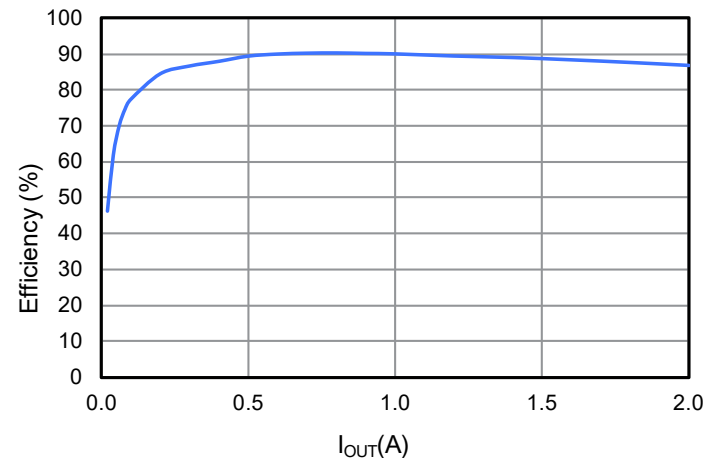


Figure 13. Efficiency Channel 3,  
 $12V_{IN}$   $3.3V_{OUT}$

Typical Performance Characteristics (Continued)

Thermal Characteristics

$f_{SW} = 560\text{kHz}$ ,  $T_A = 25^\circ\text{C}$ , no airflow, only individual channel operating; inductor losses are included.

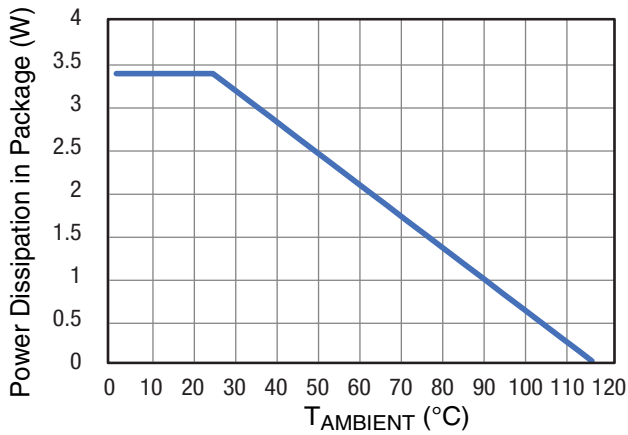


Figure 14. Package Thermal Derating

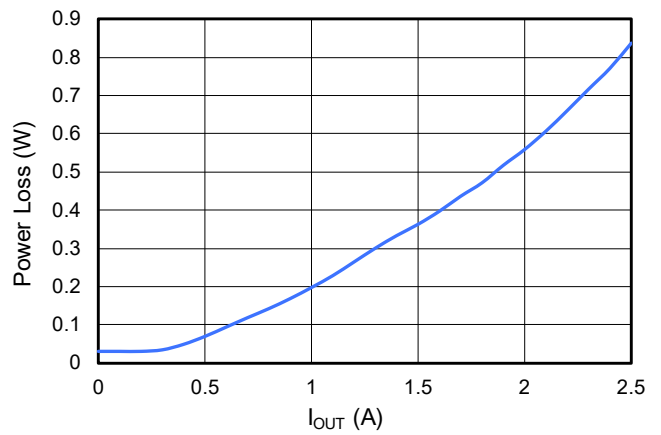


Figure 15. Channel 1 Power Loss at  $V_{\text{IN}} = 12\text{V}$ ,  $0.9V_{\text{OUT}}$ , No Airflow

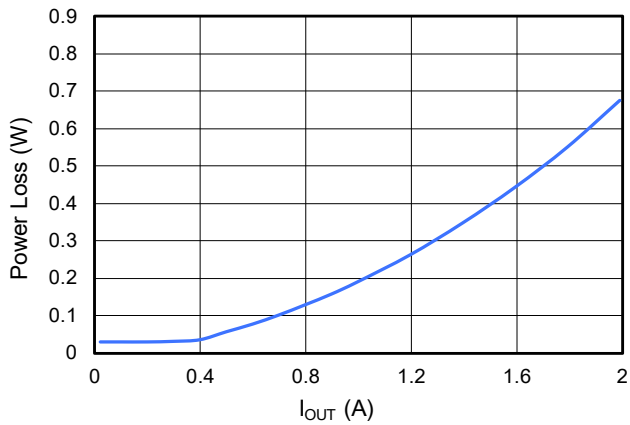


Figure 16. Channel 2 Power Loss at  $V_{\text{IN}} = 12\text{V}$ ,  $1.8V_{\text{OUT}}$ , No Airflow

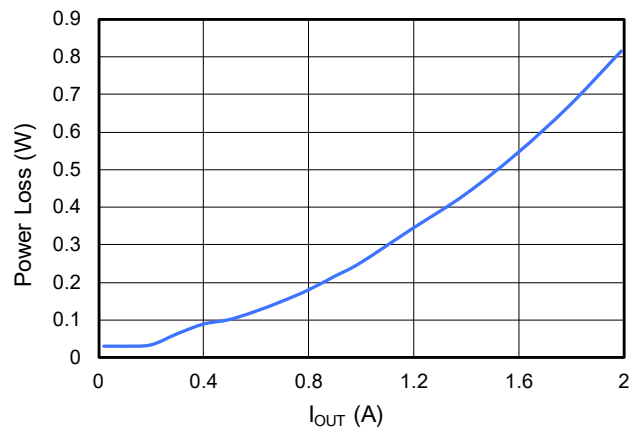


Figure 17. Channel 3 Power Loss at  $V_{\text{IN}} = 12\text{V}$ ,  $3.3V_{\text{OUT}}$ , No Airflow

Functional Block Diagram

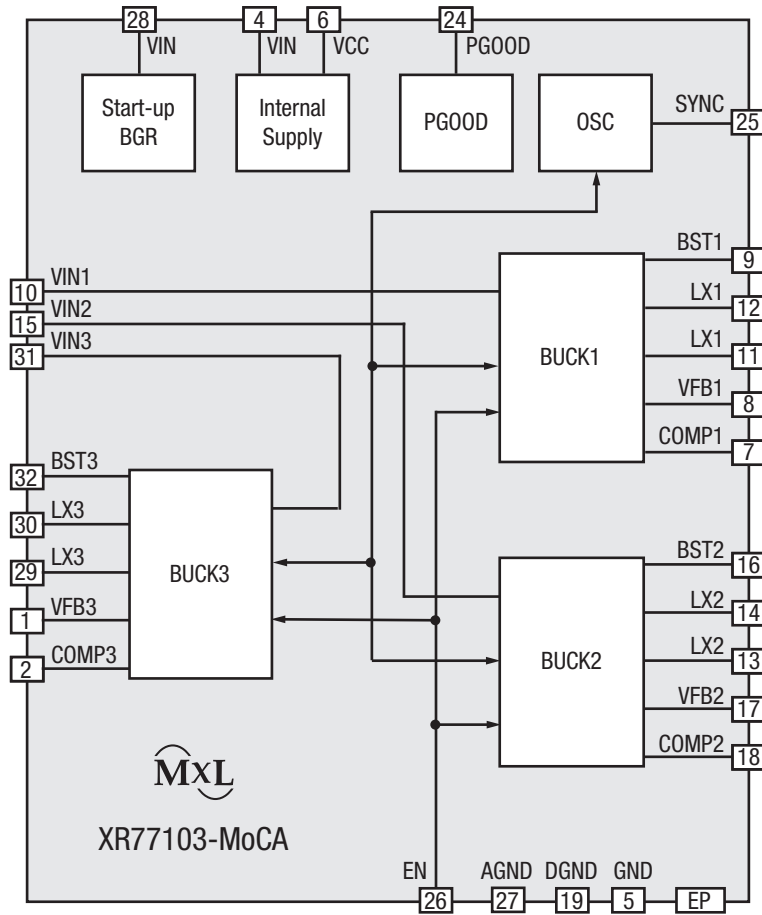


Figure 18. Functional Block Diagram

## Applications Information

### Operation

XR77103-MoCA is a power management IC with three step-down buck converters. Both high-side and low-side MOSFETs are integrated to provide fully synchronous conversion with higher efficiency. XR77103-MoCA can support a 4.5V to 14V input supply, high load current, and 560kHz clocking. The SYNC pin also provides a means to synchronize the power converter to an external signal. Input ripple is reduced by operation 180 degrees out-of-phase among converters. All three buck converters have peak current mode control which simplifies external frequency compensation. Buck converters 1, 2, and 3 have nominal peak inductor current limit of 4A, 2A, and 2A respectively. The device has a power good comparator monitoring the output voltage. Soft-start for each converter is 0.83ms. All outputs start up once the EN pin is set high.

### Output Voltage Setting

Output voltage is pre-programmed to  $V_{OUT1} = 0.9V$ ,  $V_{OUT2} = 1.8V$ , and  $V_{OUT3} = 3.3V$ .

### Frequency Compensation

In order to properly frequency compensate the device, the following component selection is recommended:

$V_{IN}$ (V)	$V_{OUT}$ (V)	L ( $\mu$ H)	$C_{OUT}$ ( $\mu$ F)	$R_{COMP}$ (k $\Omega$ )	$C_{COMP}$ (nF)
12/5.0	0.9	3.3	22 x 3	10	1
12/5.0	1.8	3.3	22 x 2	10	1
12/5.0	3.3	3.3	22 x 2	10	1

### Synchronization

The status of the SYNC pin will be ignored during start-up and the XR77103-MoCA's control will only synchronize to an external signal after the PGOOD signal is asserted. When synchronization is applied, the sync pulse frequency must be higher than the PWM oscillator frequency (560kHz) to allow the external signal to trump the oscillator pulse reliably. When synchronization is not applied, the SYNC pin should be connected to the signal ground.

Although the device can lock to an external clock running up to 2.31MHz, doing this will alter the timing characteristics and degrade thermal performance.

### Out-of-Phase Operation

Channels 2 and 3 operate in phase while channel 1 operates 180 degrees out-of-phase with the other two converters (see Figure 19). This enables the system, having less input ripple, to lower component cost, save board space, and reduce EMI.

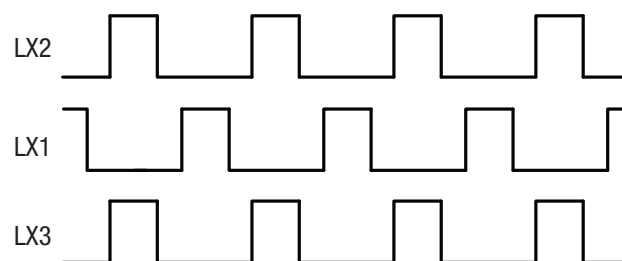


Figure 19. Out-of-Phase Operation

### Power Good

The PGOOD pin is an open drain output. The PGOOD pin is pulled low when any buck converter is pulled below 85% of the nominal output voltage. The PGOOD is pulled up when all three buck converters' outputs are more than 90% of their nominal output voltage and the PGOOD reset timer expires. The polarity of the PGOOD is active high. The PGOOD reset time is 1s.

### Thermal Design

Proper thermal design is critical in controlling device temperatures and in achieving robust designs. There are a number of factors that affect the thermal performance. One key factor is the temperature rise of the devices in the package, which is a function of the thermal resistances of the devices inside the package and the power being dissipated.

The thermal resistance of the XR77103-MoCA (30°C/W) is specified in the Operating Conditions section of this datasheet. The  $\theta_{JA}$  thermal resistance specification is based on the XR77103-MoCA evaluation board operating without forced airflow. Since the actual board design in the final application will be different, the thermal resistances in the final design may be different from those specified.

## Applications Information (Continued)

### Layout Guidelines

Proper PCB layout is crucial in order to obtain good thermal and electrical performance.

For thermal considerations, it is essential to use a number of thermal vias to connect the central thermal pad to the ground layer(s).

In order to achieve good electrical and noise performance, the following steps are recommended:

- Place the output inductor close to the LX pins and minimize the area of the connection. Doing this on the top layer is advisable.
- Connect the central thermal pad to the power ground connections to as many layers as possible.
- The output filtering capacitor and the input filtering capacitor shall share the same power ground connection. Connection to the signal ground plane shall be done with vias placed at the output filtering capacitors.
- Minimize AC current loops formed by input filtering capacitors, output filtering capacitors, output inductors, and the regulator pins.
- Connect the GND, AGND, DGND pins to the signal ground plane.
- Place compensation networks close to the pins and reference them to the signal ground.
- Place the  $V_{CC}$  bypass capacitor close to the pin.

Applications Information (Continued)

Typical Applications

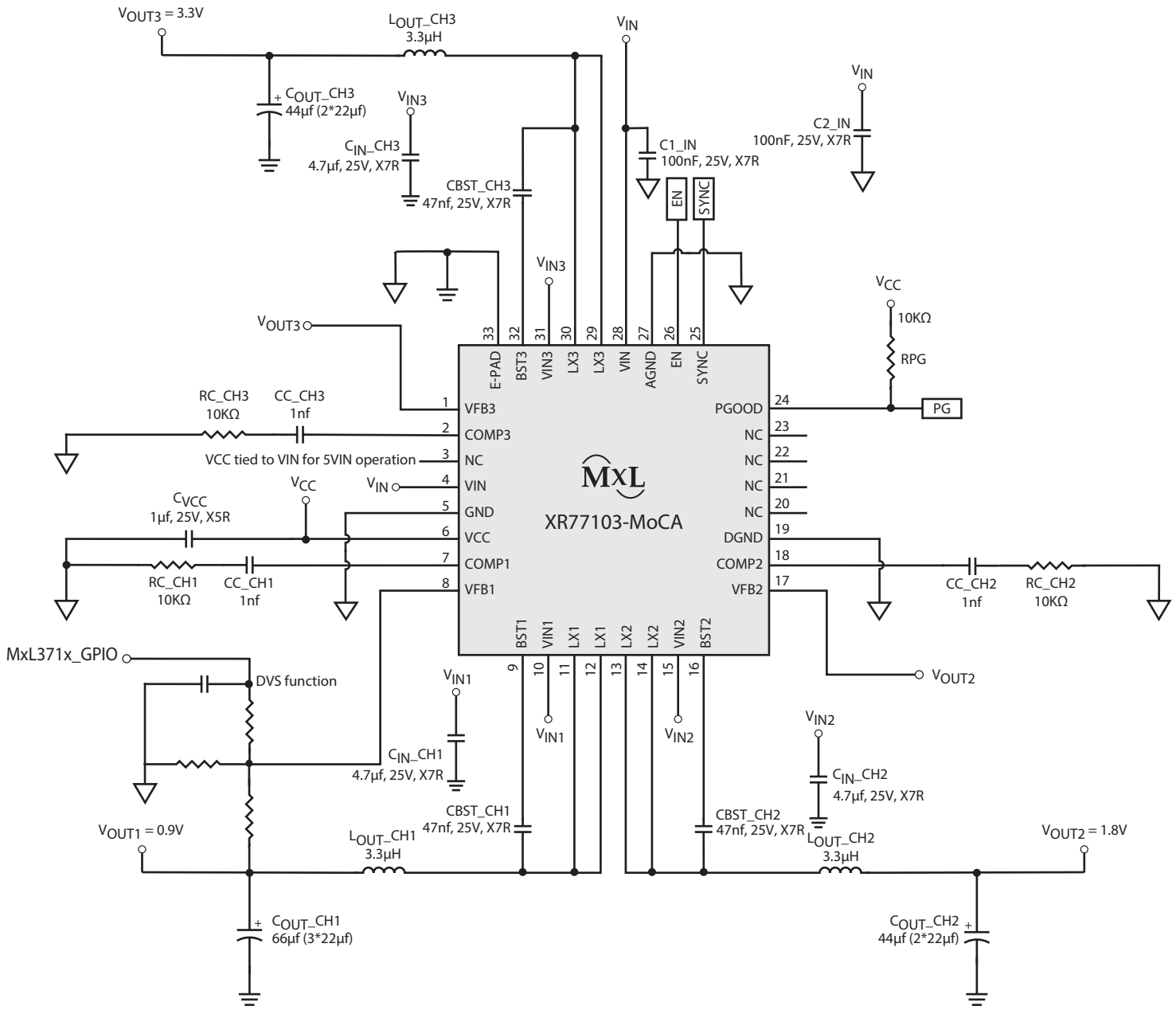
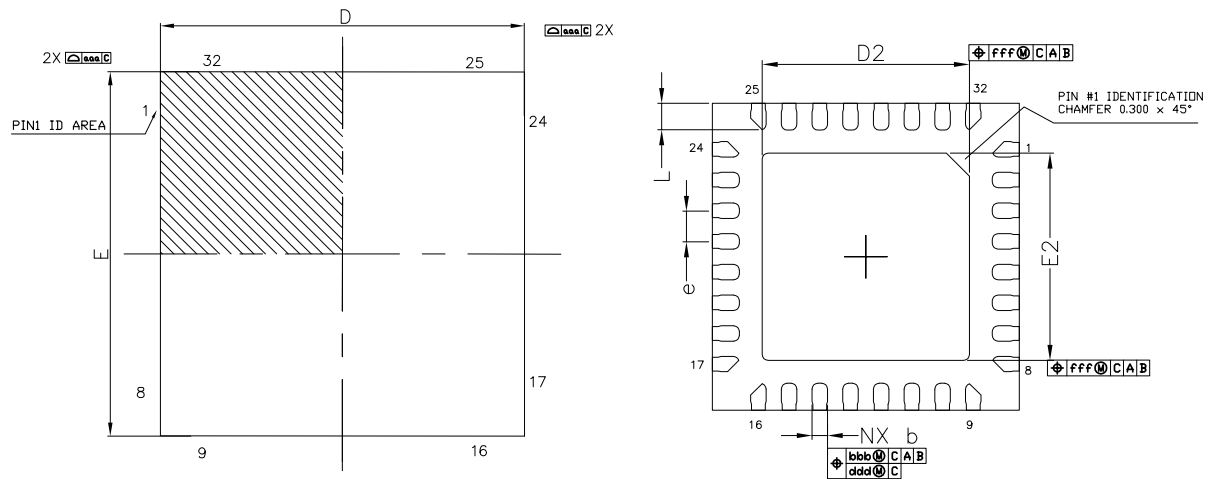


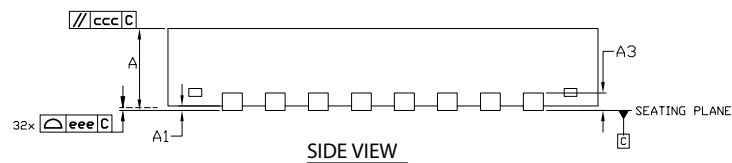
Figure 20. Typical MoCA Applications Schematic

Mechanical Dimensions



TOP VIEW

BOTTOM VIEW



SIDE VIEW

DIM SYMBOL	MIN	NOM	MAX
A	0.70	0.75	0.80
A1	0.00	0.02	0.05
A3	0.203Ref		
b	0.15	0.20	0.25
D	4.00 BSC		
E	4.00 BSC		
e	0.40 BSC		
D2	2.65	2.70	2.75
E2	2.65	2.70	2.75
L	0.30	0.35	0.40
K	0.20	-	-
aaa		0.10	
bbb		0.10	
ccc		0.10	
ddd		0.05	
eee		0.08	
fff		0.10	
N		32	

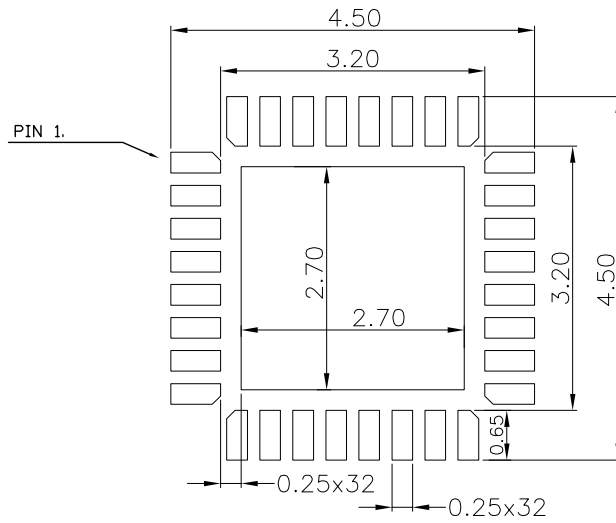
TERMINAL DETAILS

- ALL DIMENSIONS ARE IN MILLIMETERS, ANGLES ARE IN DEGREES.
- DIMENSIONS AND TOLERANCE PER JEDEC MO-220.

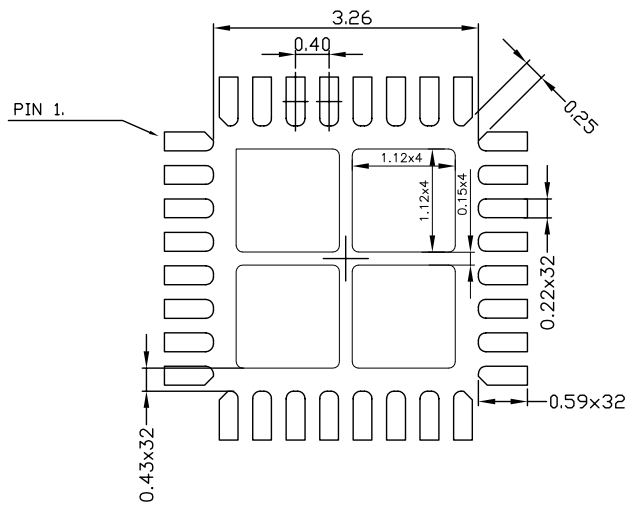
Drawing No.: POD-0000079

Revision: C

Recommended Land Pattern and Stencil



TYPICAL RECOMMENDED LAND PATTERN



TYPICAL RECOMMENDED STENCIL

Drawing No.: POD-0000079

Revision: C



## Order Information

Part Number	Operating Temperature Range	Package	Packaging Method	Lead-Free
XR77103ELBTR-MOCA	$-40^{\circ}\text{C} \leq T_J \leq 125^{\circ}\text{C}$	32-pin, 4mm x 4mm TQFN package	Tape and Reel	Yes
XR77103-MoCA-EVK-1	XR77103-MoCA evaluation board			

**NOTE:** For more information about part numbers, as well as the most up-to-date ordering information and additional information on environmental rating, go to [www.maxlinear.com/XR77103-MoCA](http://www.maxlinear.com/XR77103-MoCA).

## Revision History

Revision	Date	Description
206DSR01	May 17, 2023	<b>Updated:</b> <ul style="list-style-type: none"> <li>▪ In “Description” section, “G.hn” replaced with “MoCA”.</li> <li>▪ “Typical MoCA Applications Schematic” figure.</li> <li>▪ Note under the “Order Information” table.</li> </ul> <b>Removed:</b> <ul style="list-style-type: none"> <li>▪ “Minimum On-Time <math>t_{ON}</math> (min) Considerations” paragraph under “Applications Information” section.</li> <li>▪ In “Frequency Compensation” section, one row of the table.</li> </ul>
206DSR00	July 5, 2021	Initial release.



MaxLinear, Inc.  
 5966 La Place Court, Suite 100  
 Carlsbad, CA 92008  
 Tel.: +1 (760) 692-0711  
 Fax: +1 (760) 444-8598  
[www.maxlinear.com](http://www.maxlinear.com)

The content of this document is furnished for informational use only, is subject to change without notice, and should not be construed as a commitment by MaxLinear, Inc. MaxLinear, Inc. assumes no responsibility or liability for any errors or inaccuracies that may appear in the informational content contained in this document. Complying with all applicable copyright laws is the responsibility of the user. Without limiting the rights under copyright, no part of this document may be reproduced into, stored in, or introduced into a retrieval system, or transmitted in any form or by any means (electronic, mechanical, photocopying, recording, or otherwise), or for any purpose, without the express written permission of MaxLinear, Inc.

EXCEPT AS OTHERWISE PROVIDED EXPRESSLY IN WRITING BY MAXLINEAR, AND TO THE MAXIMUM EXTENT PERMITTED BY LAW: (A) THE MAXLINEAR PRODUCTS ARE PROVIDED ON AN “AS IS” BASIS WITHOUT REPRESENTATIONS OR WARRANTIES OF ANY KIND, INCLUDING WITHOUT LIMITATION ANY IMPLIED OR STATUTORY WARRANTIES AND ANY WARRANTIES OF MERCHANTABILITY, FITNESS FOR A PARTICULAR PURPOSE, NON-INFRINGEMENT, OR TITLE; AND (B) MAXLINEAR DOES NOT GUARANTEE THAT THE PRODUCTS WILL BE FREE OF ERRORS OR DEFECTS. MAXLINEAR PRODUCTS SHOULD NOT BE USED IN ANY EMERGENCY, SECURITY, MILITARY, LIFE-SAVING, OR OTHER CRITICAL USE CASE WHERE A FAILURE OR MALFUNCTION COULD CAUSE PERSONAL INJURY OR DEATH, OR DAMAGE TO OR LOSS OF PROPERTY. USERS ASSUME ALL RISK FOR USING THE MAXLINEAR PRODUCTS IN SUCH USE CASE. CUSTOMERS AND USERS ARE SOLELY RESPONSIBLE FOR USING THEIR OWN SKILL AND JUDGMENT TO DETERMINE WHETHER MAXLINEAR PRODUCTS ARE SUITABLE FOR THE INTENDED USE CASE.

MaxLinear, Inc. may have patents, patent applications, trademarks, copyrights, or other intellectual property rights covering subject matter in this document. Except as expressly provided in any written license agreement from MaxLinear, Inc., the furnishing of this document does not give you any license to these patents, trademarks, copyrights, or other intellectual property.

MaxLinear, the MaxLinear logo, any other MaxLinear trademarks (including but not limited to MxL, Full-Spectrum Capture, FSC, AirPHY, Puma, AnyWAN, VectorBoost, MXL WARE, and Panther), and the MaxLinear logo on the products sold are all property of MaxLinear, Inc. or one of MaxLinear’s subsidiaries in the U.S.A. and other countries. All rights reserved.

All third-party products, company names and logos are trademarks™ or registered® trademarks and remain the property of their respective holders/owners. Use of such marks does not imply any affiliation with, sponsorship or endorsement by the owners/holders of such trademarks. All references by MaxLinear to third party trademarks are intended to constitute nominative fair use under applicable trademark laws.

The URLs provided are for informational purposes only; they do not constitute an endorsement or an approval by MaxLinear of any of the products or services of the corporation or organization or individual. MaxLinear bears no responsibility for the accuracy, legality or content of the external site or for that of subsequent links. Contact the external site for answers to questions regarding its content.

© 2023 MaxLinear, Inc. All rights reserved.