



Obsolescence of Tube Pack Option for Commercial High Voltage Power Mosfets Assembled in SOT-223

DESCRIPTION OF CHANGE: Vishay Siliconix announces the end of life of several commercial High Voltage Power MOSFET SOT-223 products that use tube pack option. For each device listed, the equivalent tape and reel part number is provided.

Appendix 1 contains the dimensions of the Reel and Tape along with the device orientation in the tape.

CLASSIFICATION OF CHANGE: Product Obsolescence

REASON FOR CHANGE: Obsolescence of Tube Pack Option.

EXPECTED INFLUENCE ON QUALITY/RELIABILITY/PERFORMANCE: None

PRODUCT CATEGORY: High Voltage MOSFET only

PART NUMBERS/SERIES/FAMILIES AFFECTED: Refer to list of part numbers included with this PCN on page 2 and page 3.

VISHAY BRAND(s): Vishay-Siliconix

TIME SCHEDULE: Last time buy orders must be received by January 5, 2016, Last Time Shipments must be completed by July 2, 2016. All Last Time Buy orders are NCNR (No Cancellations/No Returns).

SAMPLE AVAILABILITY: N/A

QUALIFICATION DATA: N/A.

This PCN is considered approved, without further notification, unless we receive specific customer concerns before January 5, 2016 or as specified by contract.

ISSUED BY: Don Larson, Vishay Siliconix, Technical Marketing Manager
E-mail address: Don.Larson@Vishay.com

For further information, please contact your regional Vishay office.

The Americas
Vishay Americas
2201 Laurelwood Road
Santa Clara, Ca 95054
T: 408-988-8000
F: 408-567-8500

Europe
Vishay Electronic GmbH
Dr.-Felix-Zandman-Platz 1
D-95100
Selb, Germany
T: 49-9287-71 -0
F: 49-9287-70435

Asia
Vishay Intertechnology Asia Pte. Ltd
37A Tampines Street 92
#07-00 Keppel Building
Singapore 528886
T: 65-6788-6668
F: 65-6788-0988



PCN-0272015 Parts List

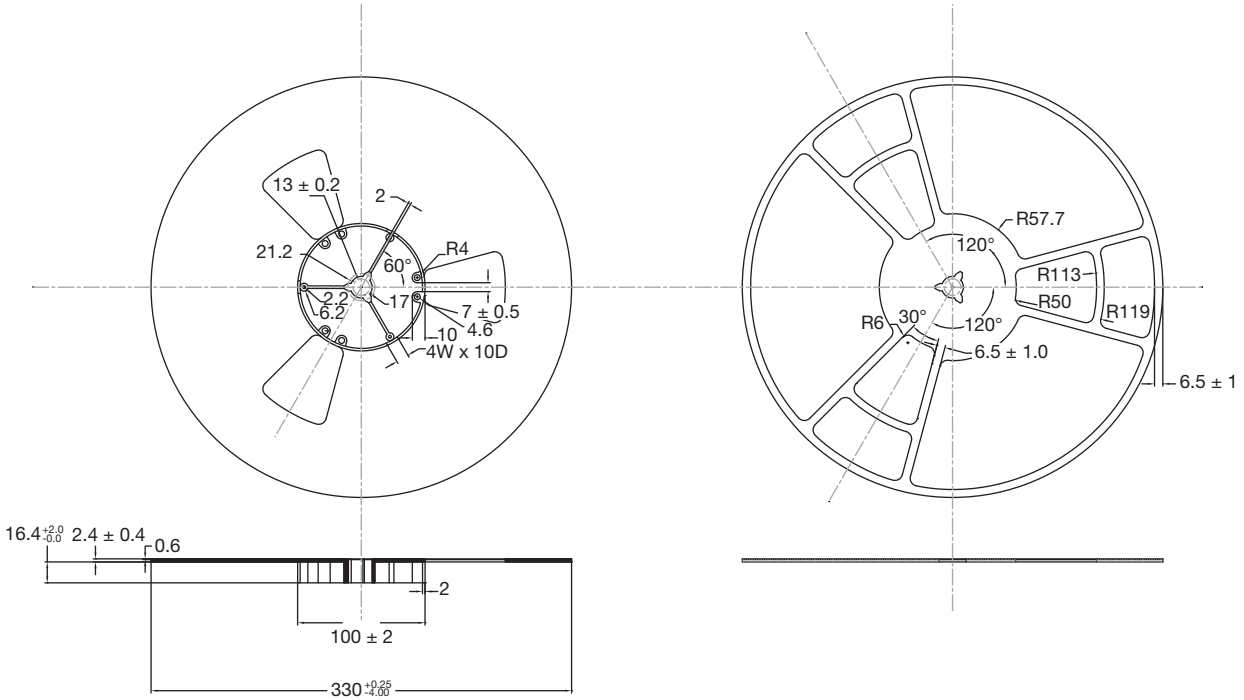
Part Number	Recommended Replacement
IRFL014PBF	IRFL014TRPBF
IRFL110PBF	IRFL110TRPBF
IRFL210PBF	IRFL210TRPBF
IRFL214PBF	IRFL214TRPBF
IRFL9014PBF	IRFL9014TRPBF
IRFL9110PBF	IRFL9110TRPBF
IRLL014PBF	IRLL014TRPBF
IRLL110PBF	IRLL110TRPBF



Appendix 1

- SOT-223 Reel Dimensions
- SOT-223 Tape Dimensions
- SOT-223 Device Orientation

REEL FOR SOT223

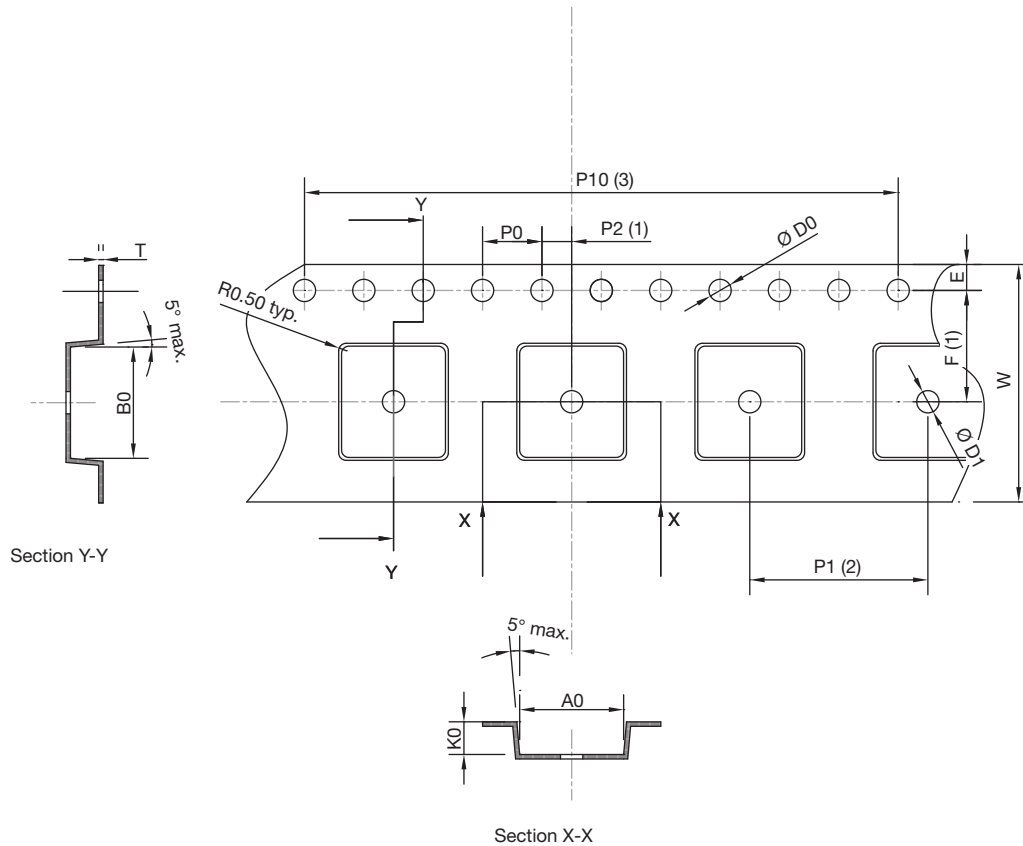


Notes

1. Material: Polystyrene (red).
2. Antistatic cotated.
3. Flange warpage: 3 mm maximum.
4. All dimensions are in mm.
5. ESD-surface resistivity - 10^5 to $10^{12} \Omega/\text{sq}$.
6. General tolerance: ± 0.25 unless otherwise specified.
7. Total thickness of reel: 22.4 max.
8. Quantity per reel is 2,500 pcs.
9. Minimum order quantity 2,500 pcs

ECN: X10-0299-Rev. A, 23-Aug-10
 DWG: 93-5280-X

SOT223 TE1 TR



Notes

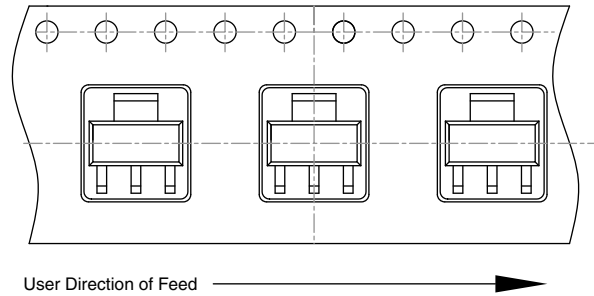
1. Measure from centerline of sprocket hole to centerline of pocket.
2. Measure from centerline of pocket to centerline of pocket.
3. Pitch tolerance for sprocket hole. 10 pitch cumulative tolerances is ± 0.2 mm.
4. Allowable camber to be 1 mm per 250 mm in length.

DIMENSIONS			
ANNOTE	MILLIMETER	ANNOTE	MILLIMETER
A0	7.00 \pm 0.10	P2	2.00 \pm 0.10
B0	7.50 \pm 0.10	P10	40.00 \pm 0.20
K0	2.20 \pm 0.10	E	1.75 \pm 0.10
D0	1.50 + 0.10/- 0	F	7.50 \pm 0.10
D1	1.50 + 0.10/- 0	W	16.00 \pm 0.30
P0	4.00 \pm 0.10	T	0.30 \pm 0.05
P1	12.00 \pm 0.10		
ECN: X10-0300-Rev. A, 23-Aug-10 DWG: 93-5283-X			



TR Device Orientation for SOT-223

DEVICE ORIENTATION	
PACKAGE	METHOD
SOT-223	TR



Revision control of this drawing is maintained through Document Control, Pack Specification 0007-31.