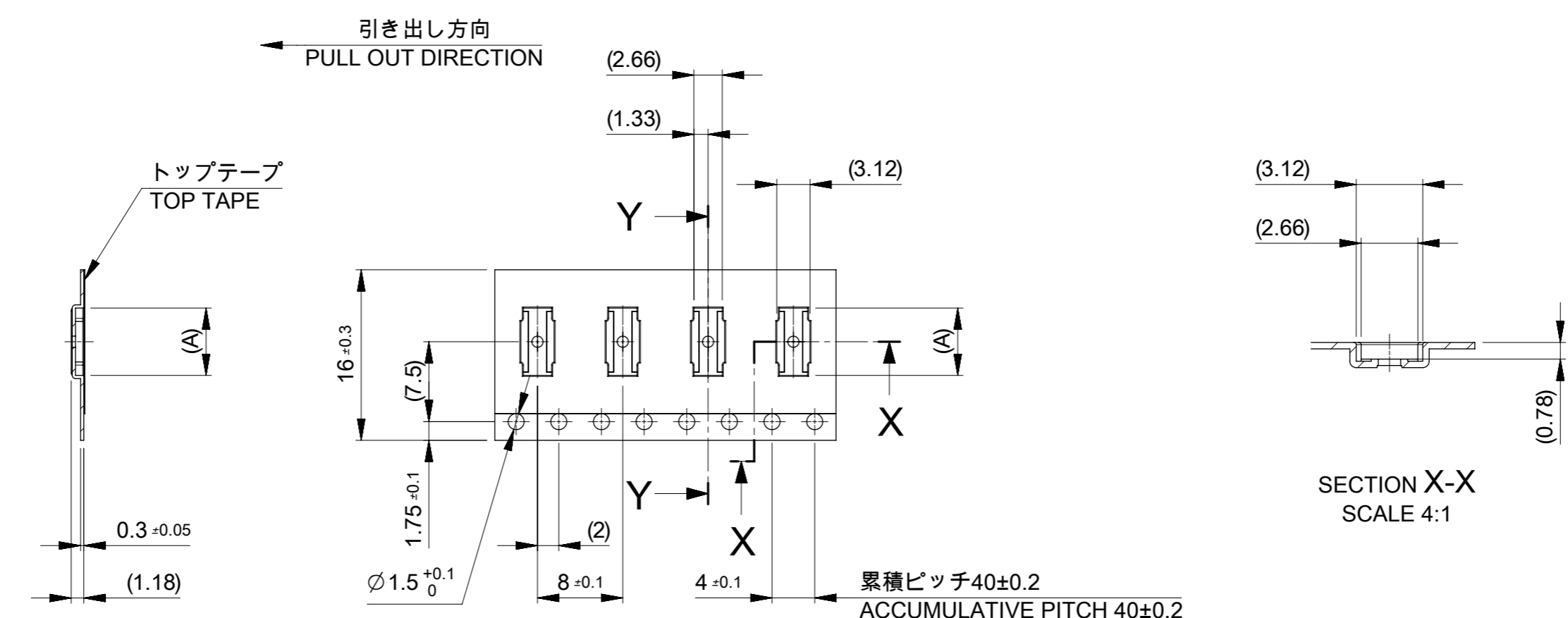


注記 NOTES

- 製品詳細寸法については製品単体図面を参照下さい。  
DETAIL DIMENSIONS, SEE PRODUCT DRAWING.
- 梱包数量 : 9000個/リール  
NUMBER OF CONNECTORS : 9000PCS/REEL
- リードテープ長さ  
LEAD TAPE LENGTH
- カバーテープの剥離強度については、IEC60286-3に準拠  
COVER TAPE PEEL FORCE IS DEFINED BY IEC60286-3.
- 材料 MATERIAL  
 キャリアテープ ( CARRIER TAPE ) : ポリスチレン ( POLYSTYRENE )  
 トップテープ ( TOP TAPE ) : PET,OTHER  
 リール ( REEL ) : ポリスチレン ( PS ) <リサイクル材を含む >  
 POLYSTYRENE ( PS ) < RECYCLE MATERIAL CONTAINED >
- 1リール/9000個内において、欠品はなきこと  
THERE SHALL BE NO MISSING PRODUCT.
- ELV及びRoHS適合品  
ELV AND RoHS COMPLIANT.

MODEL No. 503304-\*\*42

THIS DRAWING CONTAINS INFORMATION THAT IS PROPRIETARY TO MOLEX ELECTRONIC TECHNOLOGIES, LLC AND SHOULD NOT BE USED WITHOUT WRITTEN PERMISSION											
EC NO: 113200 DRWN: GABE CHK'D: KTAKAHASHI APPR: MSASAO	2016/11/24 2017/02/21 2017/02/21	GENERAL TOLERANCES (UNLESS SPECIFIED)		DIMENSION UNITS	SCALE						
		ANGULAR TOL ± 3.0 °		MM	1:1						
		4 PLACES	± 0.03	DRWN BY		DATE		0.4 BB CONN. H=0.7 REC. ASSY EMBSTP PKG			
		3 PLACES	± 0.03	GABE		2016/11/24					
		2 PLACES	± 0.05	CHK'D BY		DATE					
1 PLACE	± 0.1	KTAKAHASHI		2017/02/21		PRODUCT CUSTOMER DRAWING					
0 PLACES	± 0.2	APPR BY		DATE		SERIES	MATERIAL NUMBER	CUSTOMER			
DRAFT WHERE APPLICABLE MUST REMAIN WITHIN DIMENSIONS		MSASAO		2017/02/21		503304	SEE CHART	GENERAL			
		DRAWING SIZE		THIRD ANGLE PROJECTION		DOCUMENT NUMBER		DOC TYPE	DOC PART	SHEET NUMBER	
		A3				5033040001		PSD	000	1 OF 3	



SECTION Y-Y

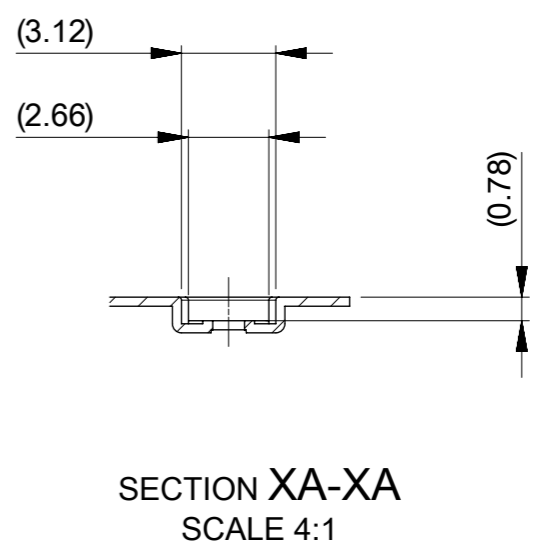
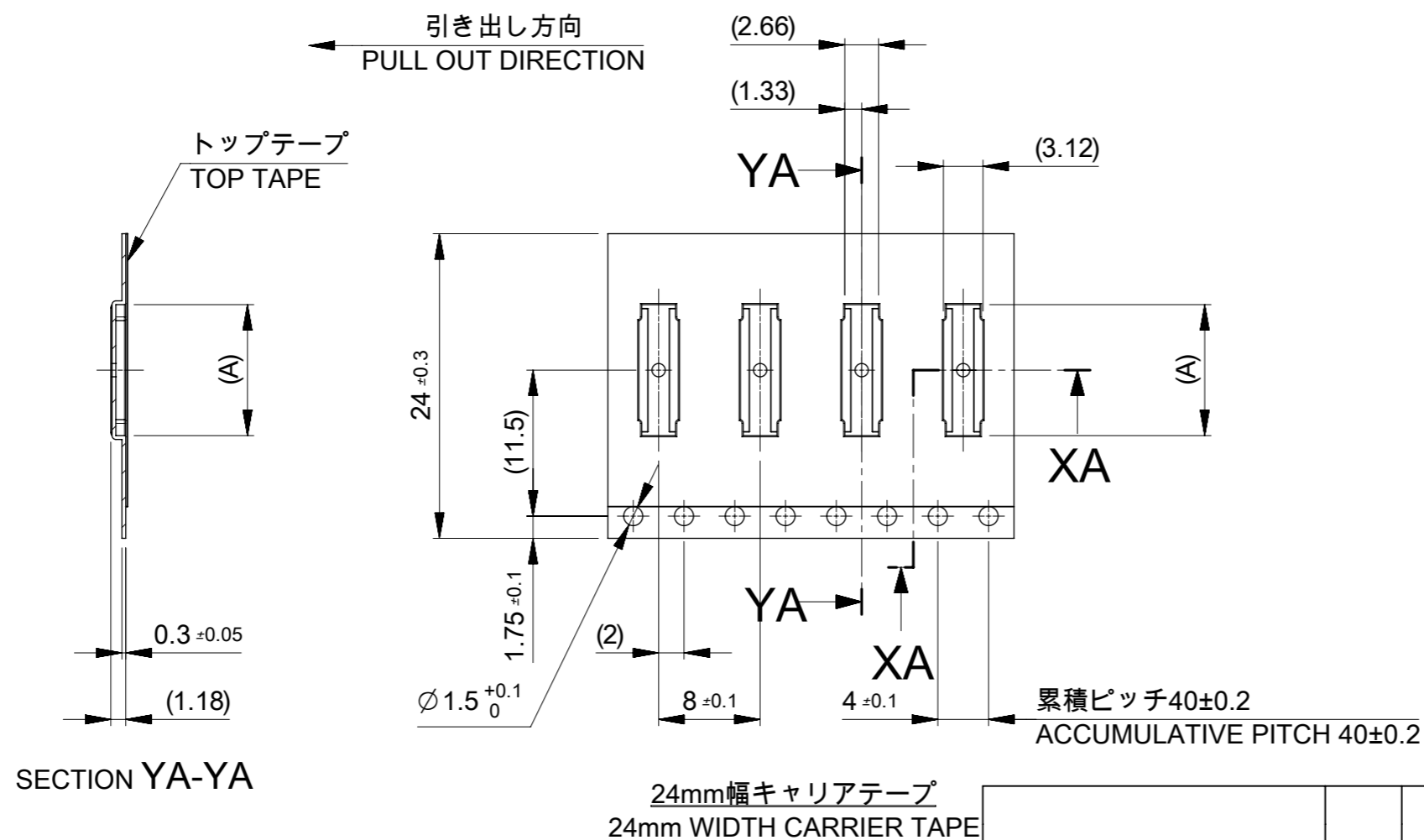
16mm幅キャリアテープ  
16mm WIDTH CARRIER TAPE

SECTION X-X  
SCALE 4:1

16	21.4	17.4	7.52	503304-2642	○	26
			7.12	503304-2442	○	24
			6.32	503304-2042	○	20
			5.92	503304-1842	○	18
			5.52	503304-1642	○	16
			4.72	503304-1242	○	12
キャリアテープ幅 CARRIER TAPE WIDTH	C	B	(A)	EMBOSSED PACKAGE	HIGH VOL. TOOL	極数 CKT.
				オーダー番号 ORDER No.	SAMPLE PREPARATION	
				MODEL No. 503304-**42		

THIS DRAWING CONTAINS INFORMATION THAT IS PROPRIETARY TO MOLEX ELECTRONIC TECHNOLOGIES, LLC AND SHOULD NOT BE USED WITHOUT WRITTEN PERMISSION

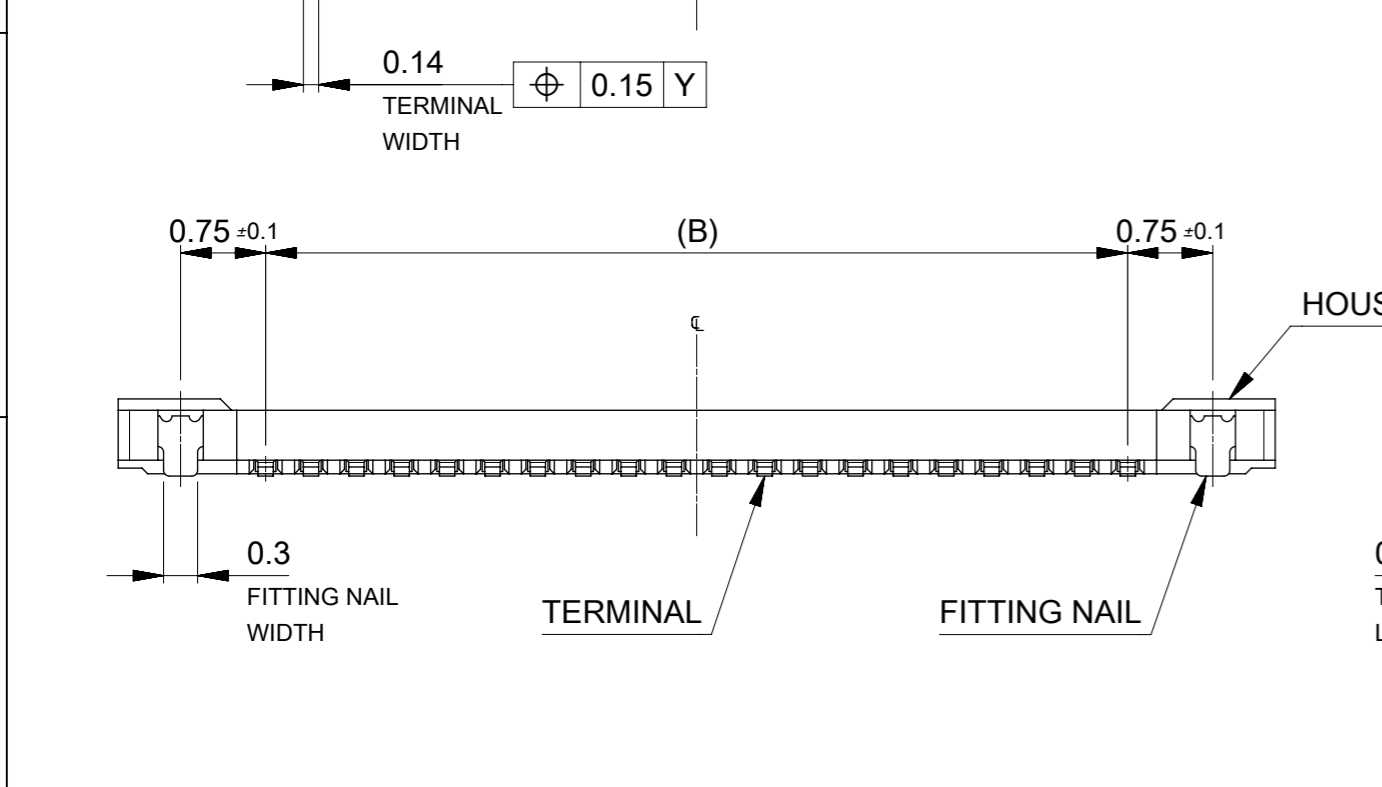
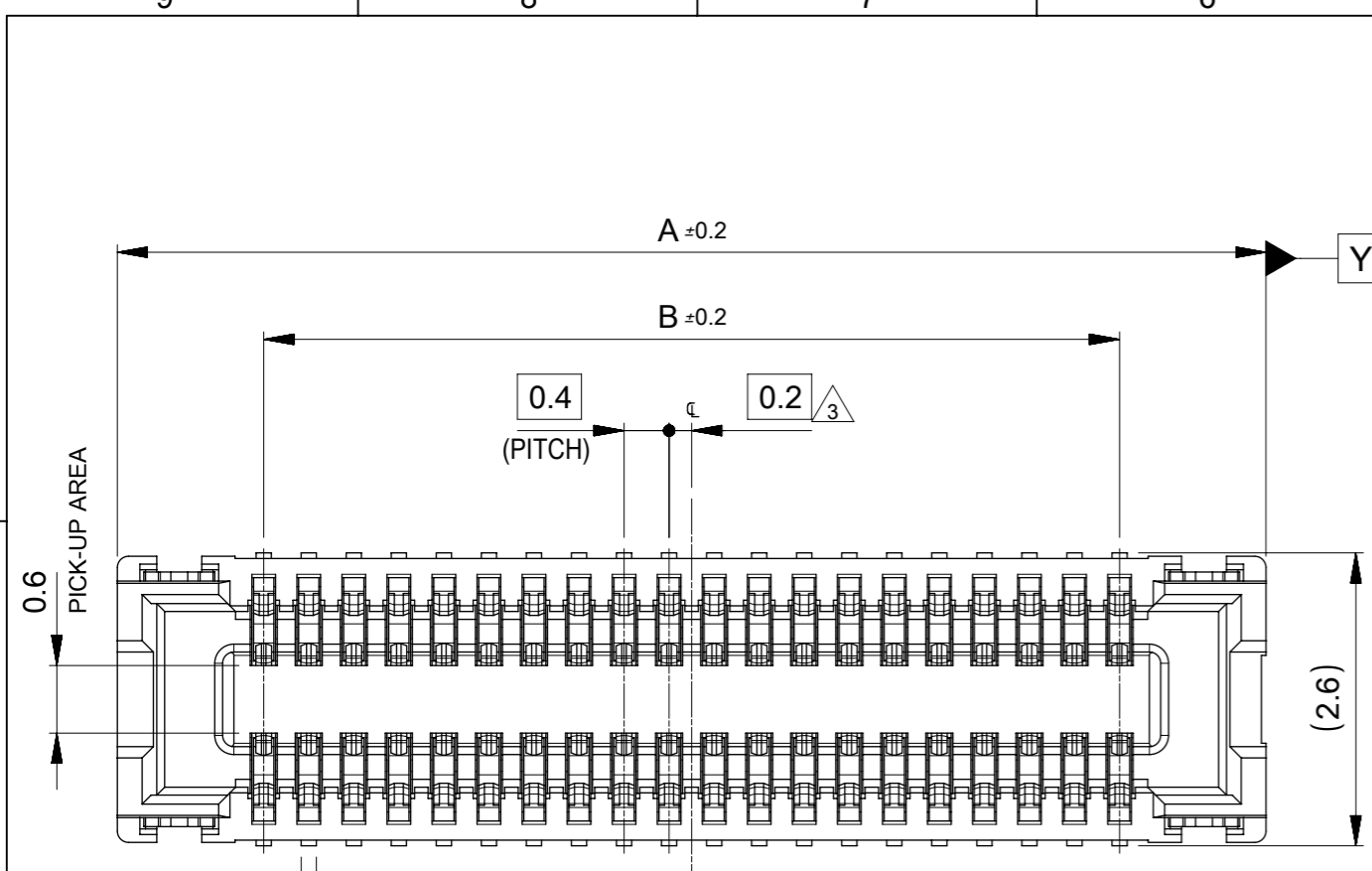
EC NO: 113200 DRWN: GABE CHK'D: KTAKAHASHI APPR: MSASAO	2016/11/24 2017/02/21 2017/02/21	GENERAL TOLERANCES (UNLESS SPECIFIED)		DIMENSION UNITS	SCALE	
		ANGULAR TOL ± 3.0 °		MM	2:1	
		4 PLACES ± 0.03	3 PLACES ± 0.03	DRWN BY	DATE	
		2 PLACES ± 0.05	1 PLACE ± 0.1	GABE	2016/11/24	
		0 PLACES ± 0.2	0 PLACES ± 0.2	CHK'D BY	DATE	
DRAFT WHERE APPLICABLE MUST REMAIN WITHIN DIMENSIONS		APPR BY		DATE	PRODUCT CUSTOMER DRAWING	
		MSASAO		2017/02/21	SERIES	MATERIAL NUMBER
		A3		THIRD ANGLE PROJECTION	503304	SEE CHART
					CUSTOMER	
					GENERAL	
					DOCUMENT NUMBER	DOC TYPE
					5033040001	PSD
					DOC PART	SHEET NUMBER
					000	2 OF 3



24	29.4	25.4	14.32	503304-6042	○	60
			12.32	503304-5042	○	50
			11.12	503304-4442	○	44
			10.72	503304-4242	○	42
			10.32	503304-4042	○	40
			8.32	503304-3042	○	30
キャリアテープ幅 CARRIER TAPE WIDTH	C	B	(A)	EMBOSSED PACKAGE	HIGH VOL. TOOL	極数 CKT.
				オーダー番号 ORDER No.	SAMPLE PREPARATION	
				MODEL No. 503304-**42		

THIS DRAWING CONTAINS INFORMATION THAT IS PROPRIETARY TO MOLEX ELECTRONIC TECHNOLOGIES, LLC AND SHOULD NOT BE USED WITHOUT WRITTEN PERMISSION

EC NO: 113200 DRWN: GABE CHK'D: KTAKAHASHI APPR: MSASAO RELEASED 2016/11/24 2017/02/21 2017/02/21	GENERAL TOLERANCES (UNLESS SPECIFIED)		DIMENSION UNITS	SCALE		
	ANGULAR TOL ± 3.0 °		MM	2:1		
	4 PLACES ± 0.03	DRWN BY	DATE			
	3 PLACES ± 0.03	GABE	2016/11/24			
	2 PLACES ± 0.05	CHK'D BY	DATE			
1 PLACE ± 0.1	KTAKAHASHI	2017/02/21				
0 PLACES ± 0.2	APPR BY	DATE				
	MSASAO	2017/02/21				
DRAFT WHERE APPLICABLE MUST REMAIN WITHIN DIMENSIONS		DRAWING SIZE	THIRD ANGLE PROJECTION			
		A3				
PRODUCT CUSTOMER DRAWING						
SERIES		MATERIAL NUMBER		CUSTOMER		
503304		SEE CHART		GENERAL		
DOCUMENT NUMBER				DOC TYPE	DOC PART	SHEET NUMBER
5033040001				PSD	000	3 OF 3



注記 NOTES

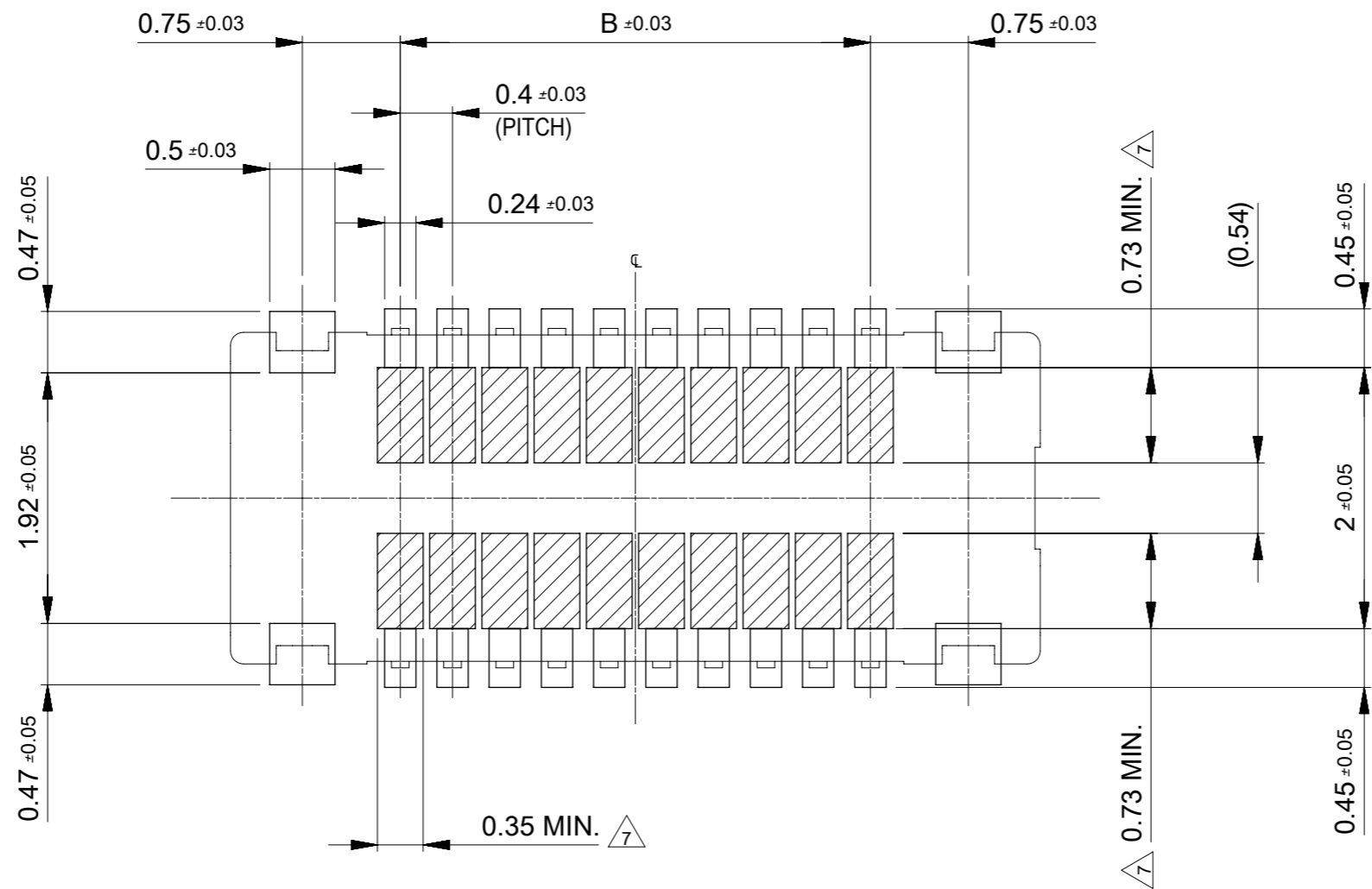
1. 使用材料 MATERIAL  
 ハウジング : 液晶ポリマー(LCP) UL94V-0(黒)  
 HOUSING : LIQUID CRYSTAL POLYMER, UL94V-0 (COLOR : BLACK)  
 ターミナル : 銅合金  
 TERMINAL : COPPER ALLOY  
 金具 : 銅合金  
 FITTING NAIL : COPPER ALLOY
2. めっき仕様 PLATING  
 ターミナル TERMINAL  
 コンタクト部 : 金めっき 0.1マイクロメートル以上  
 CONTACT AREA : GOLD 0.1 MICROMETER MINIMUM.  
 テール部 : 金めっき  
 SOLDER TAIL AREA : GOLD  
 下地めっき : ニッケルめっき 1.0マイクロメートル以上  
 UNDER PLATING : NICKEL 1.0 MICROMETER MINIMUM.  
 ※コンタクト部とテール部は、ニッケルめっきによって分断されている金めっきです。  
 DIVIDE INTO PARTS THE GOLD PLATING OF THE CONTACT AND THE TAIL PART BY THE NICKEL PLATING.
- 金具 FITTING NAIL  
 錫めっき : 1.0マイクロメートル以上  
 TIN PLATING : 1.0 MICROMETER MINIMUM.  
 下地めっき : ニッケルめっき 1.0マイクロメートル以上  
 UNDER PLATING : NICKEL 1.0 MICROMETER MINIMUM.

- △<sub>3</sub> (全極数/2)=偶数の場合に適用。  
 APPLY FOR (CIRCUIT/2)=EVEN.
4. 嵌合相手 : 503308シリーズ  
 MATE WITH : 503308 SERIES.
5. テール平坦度は、0.08以下。  
 テール及び金具の平坦度は、0.1以下。  
 TAIL COPLANARITY TO BE 0.08 MAXIMUM.  
 TAIL AND FITTING NAIL COPLANARITY TO BE 0.1 MAXIMUM.
6. ELV AND RoHS COMPLIANT.
- △<sub>7</sub> パターン及び半田禁止エリア  
 (当該箇所においては、これと接する回路以外の配線を禁止する。  
 また、接する回路を配線する場合はレジストを施し、この部分に半田は無きこととする。)  
 PROHIBITED AREA OF PATTERN WIRING AND SOLDER.  
 (FOR EACH AREA, THE WIRING THAT TOUCHES ON THE SOLDER CAN BE ATTACHED. THEN COVERD WITH A FILM TO KEEP SOLDER OUT.)

11.6	14.2	503304-6042	○	60
9.6	12.2	503304-5042	○	50
8.4	11.0	503304-4442	○	44
8.0	10.6	503304-4242	○	42
7.6	10.2	503304-4042	○	40
5.6	8.2	503304-3042	○	30
4.8	7.4	503304-2642	○	26
4.4	7.0	503304-2442	○	24
3.6	6.2	503304-2042	○	20
3.2	5.8	503304-1842	○	18
2.8	5.4	503304-1642	○	16
2.0	4.6	503304-1242	○	12
B	A	EMBOSSED PACKAGE	HIGH VOL. TOOL	極数 CIRCUITS
		オーダー番号 ORDER No.	SAMPLE PREPARATION	
		CONNECTOR SERIES No. : 503304-**49		

THIS DRAWING CONTAINS INFORMATION THAT IS PROPRIETARY TO MOLEX ELECTRONIC TECHNOLOGIES, LLC AND SHOULD NOT BE USED WITHOUT WRITTEN PERMISSION

EC NO: 113200 DRWN: GABE CHK'D: KTAKAHASHI APPR: MSASAO	2016/11/24 2017/02/21 2017/02/21	GENERAL TOLERANCES (UNLESS SPECIFIED) ANGULAR TOL ± 3.0 ° 4 PLACES ± 0.03 3 PLACES ± 0.03 2 PLACES ± 0.05 1 PLACE ± 0.1 0 PLACES ± 0.2	DIMENSION UNITS: MM SCALE: 15:1		
	DRWN BY: GABE DATE: 2016/11/24	CHK'D BY: KTAKAHASHI DATE: 2017/02/21	DRAFT WHERE APPLICABLE MUST REMAIN WITHIN DIMENSIONS		DRAWING SIZE: A3 THIRD ANGLE PROJECTION
	APPR BY: MSASAO DATE: 2017/02/21	PRODUCT CUSTOMER DRAWING	SERIES: 503304 MATERIAL NUMBER: SEE CHART CUSTOMER: GENERAL		
	DOCUMENT NUMBER: 5033041001 DOC TYPE: PSD DOC PART: 000 SHEET NUMBER: 1 OF 2				



RECOMMENDED P.W.BOARD PATTERN LAYOUT (REFERENCE)

RECOMMENDED THICKNESS OF METAL MASK : t=0.1 mm

RECOMMENDED OPEN APERTURE RATIO OF METAL MASK : 100%

THIS DRAWING CONTAINS INFORMATION THAT IS PROPRIETARY TO MOLEX ELECTRONIC TECHNOLOGIES, LLC AND SHOULD NOT BE USED WITHOUT WRITTEN PERMISSION

EC NO: 113200 DRWN: GABE CHK'D: KTAKAHASHI APPR: MSASAO	2016/11/24 2017/02/21 2017/02/21	GENERAL TOLERANCES (UNLESS SPECIFIED) ANGULAR TOL ± 3.0 °	DIMENSION UNITS: MM SCALE: 20:1			
	4 PLACES ± 0.03 3 PLACES ± 0.03 2 PLACES ± 0.05 1 PLACE ± 0.1 0 PLACES ± 0.2	DRWN BY: GABE DATE: 2016/11/24	PRODUCT CUSTOMER DRAWING			
	DRAFT WHERE APPLICABLE MUST REMAIN WITHIN DIMENSIONS	CHK'D BY: KTAKAHASHI DATE: 2017/02/21	SERIES: 503304 MATERIAL NUMBER: SEE CHART CUSTOMER: GENERAL			
	A	APPR BY: MSASAO DATE: 2017/02/21	DOCUMENT NUMBER: 5033041001 DOC TYPE: PSD DOC PART: 000 SHEET NUMBER: 2 OF 2			
	A3	DRAUGHTING SYMBOLS: THIRD ANGLE PROJECTION	DIMENSION UNITS: MM SCALE: 20:1			