

TUTORIAL 4262

Improve Stereo Performance with Active Biasing

By: Brian C. Wadell, Strategic Planner and Business Manager

Apr 06, 2009

Abstract: This application note discusses trade-offs of active and passive biasing circuits used in consumer audio products. The use of these circuits in digital potentiometers and volume controls is compared in terms of audio parameters like separation and mute. Equations help designers evaluate their design trade-offs for a specific situation.

A similar article appeared in December 2008 on the [Electronic Products Magazine](#) website.

Introduction

Designers of consumer products are pushed to reduce cost at every turn. Although the use of digital potentiometer and volume-control ICs instead of mechanical potentiometers enables a wider variety of user interfaces for your customer, these new ICs require careful attention to circuit details if the best audio performance is to be achieved. Sometimes this means trading off performance parameters and cost.

In this application note we will compare active and passive biasing circuits for digital potentiometers. Device performance considerations are reviewed. The article also provides the equations necessary for the designer to make the right trade-offs in consumer products.

Volume Controls and Digital Potentiometers

The circuit below illustrates some of the terminology used in this article. We will be focusing on a single-supply application, which is the most common situation in battery- or wall-adaptor-powered products. In a single-supply application all parts of the system are powered with V_{DD} and ground, and signals swing between V_{DD} and ground. Capacitors may be used between stages or they can be eliminated for cost and performance reasons.

The wiper buffer reduces the current through the array of switches to improve their distortion performance. This article explores how the bias generator affects the circuit's performance.



Attend this brief webcast by Maxim on TechOnline

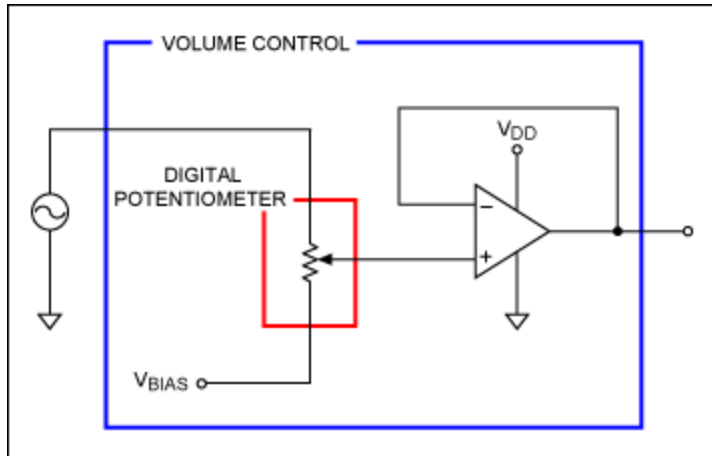


Figure 1. Volume control fed by a signal source.

A digital potentiometer (outlined in red) is an array of switches and resistors controlled by logic that emulates a mechanical potentiometer's sliding contact wiper. A volume-control IC (outlined in blue) is differentiated from the digital potentiometer by the incorporation of two circuits that are very important for best audio performance: the wiper buffer (op amp) and the bias generator (source of V_{BIAS}).

Passive Bias Circuit

If you are using a digital potentiometer and trying to keep cost under control, you can generate the bias voltage with a passive resistive divider as shown in **Figure 2**. The resistor values are typically equal in value to set V_{BIAS} at the midpoint of V_{DD} and ground. To reduce the AC impedance at V_{BIAS} and clean up any noise, most designers will also add a bypass capacitor, C_2 .

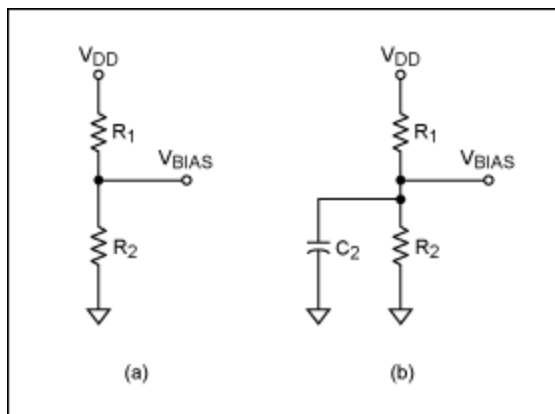


Figure 2. Passive bias circuit.

Mono Volume-Control Circuit

Let us take a look at how the chosen circuit values will affect audio performance. The source impedance of the bias circuit, sometimes called the "stiffness" of the supply, is calculated from **Figure 3**.

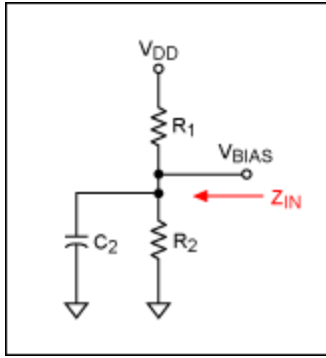


Figure 3. Stiffness is related to the impedance looking into the bias network.

$$Z_2 = \frac{R_2 \times \frac{1}{sC_1}}{R_2 + \frac{1}{sC_1}} = \frac{R_2}{R_2 \times sC_1 + 1}$$

$$Z_{IN} = \frac{Z_1 \times Z_2}{Z_1 + Z_2} = \frac{R_1 \times \left(\frac{R_2}{R_2 \times sC_1 + 1} \right)}{R_1 + \left(\frac{R_2}{R_2 \times sC_1 + 1} \right)} = \frac{R_1 \times R_2}{R_1 \times R_2 \times sC_1 + R_1 + R_2} \quad (\text{Eq. 1})$$

As a check, note that at DC ($s = 0$), the equation reduces to the impedance of the resistors R_1 and R_2 in parallel. Now we can insert this impedance into the volume-control circuit (**Figure 4**).

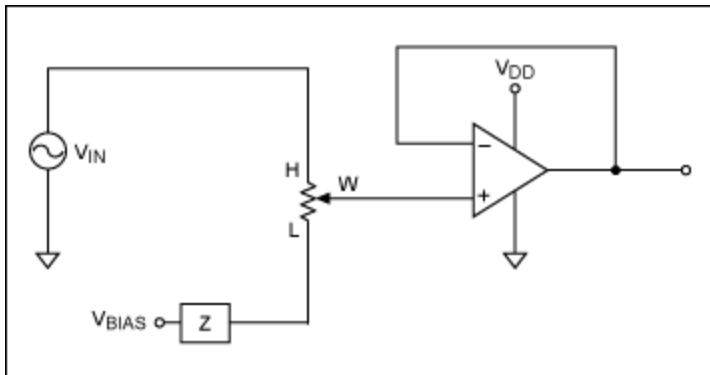


Figure 4. Volume control with finite impedance bias network.

The finite source impedance of the bias network will allow a signal to appear on the L terminal of the digital potentiometer. Setting the wiper to L is supposed to be muted! Instead of seeing no signal, as desired, we will see a divided-down version of the source voltage, V_{IN} .

For example, with the wiper at the L position, a $40\text{k}\Omega$ potentiometer, and two $10\text{k}\Omega$ bias resistors, we will see an output voltage of:

$$V_{OUT} = \frac{5\text{k}\Omega}{40\text{k}\Omega + 5\text{k}\Omega} \times V_{IN} \quad (\text{Eq. 2})$$

This is only -19dB below full scale (dBFS) at DC. This means that even if the potentiometer is set to mute, you will still see an output signal.

What happens if we include C_2 in the analysis? Let us try a $0.01\mu\text{F}$, $1\mu\text{F}$, and $100\mu\text{F}$ capacitor. The results of Equation 1 are shown in **Figure 5**.

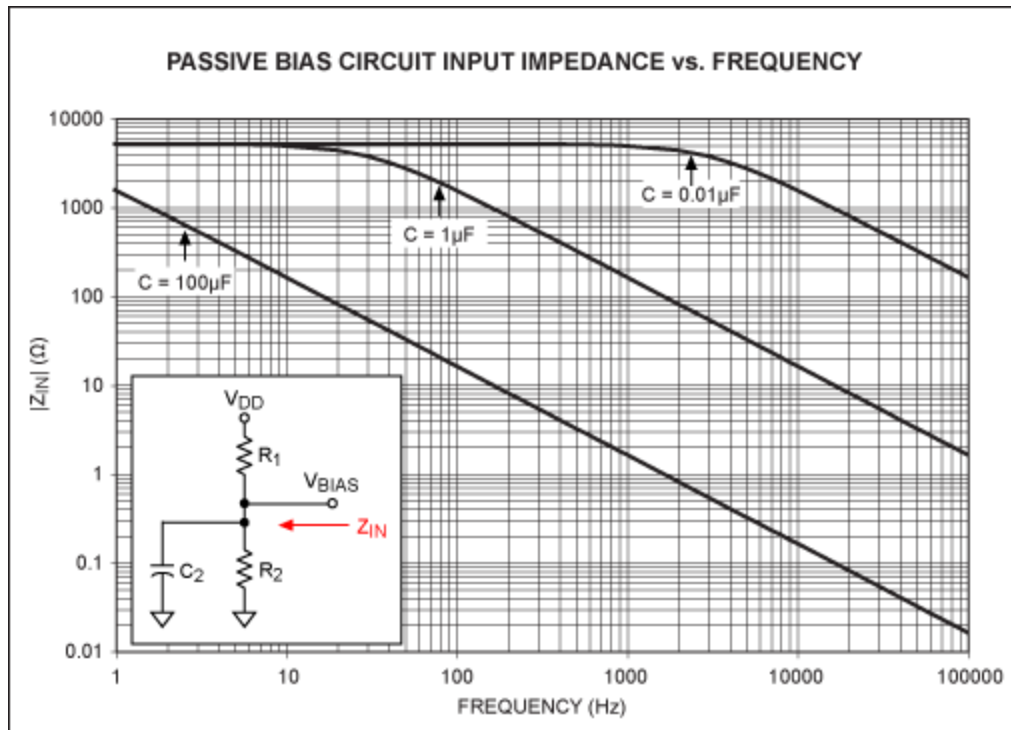


Figure 5. Passive bias network source impedance with a $0.01\mu\text{F}$, $1\mu\text{F}$, and $100\mu\text{F}$ capacitor.

To consider the effect of the value of C_2 on mute attenuation, **Figure 6** shows the mute attenuation for the three different bias circuit capacitor values. This is calculated as

$$\text{Mute Attenuation} = 20 \log(Z_{in}/(40\text{k} + Z_{in}))$$

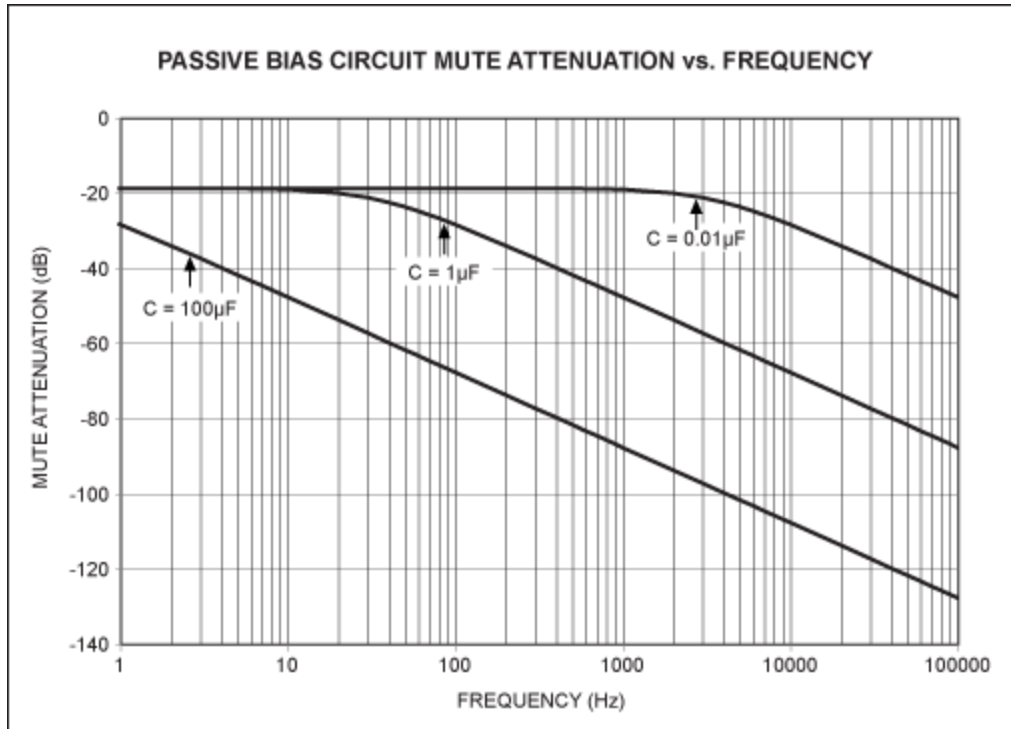


Figure 6. Passive bias network mute attenuation with $0.01\mu\text{F}$, $1\mu\text{F}$ and $100\mu\text{F}$ capacitor.

Adding $C_2 = 0.01\mu\text{F}$ had almost no effect below 1kHz, and the effect at 20kHz only reduces the source impedance to 785Ω . This will achieve a mute attenuation of just -34dB. If the capacitor is raised to $1\mu\text{F}$ (large), then at 20kHz we now have a source impedance of 7.9Ω and a mute attenuation of just -74dB. The mute performance at low frequencies is still unacceptable with a $1\mu\text{F}$ capacitor. This is not even close to the ultimate performance of the volume control, and it is not close to a reasonable audio specification for mute.

Other Problems

Although we have been analyzing this problem at the mute setting (wiper at the L terminal), it is apparent that the finite V_{BIAS} impedance will affect all of the potentiometer settings. The effect will be seen as an increasingly inaccurate attenuation curve as the low end is approached.

How Can the Problem Be Corrected?

So, how do we get the source impedance down and the mute performance more like 90dB or better? To reach 90dB, we need the source impedance to be in the single-digit ohms range.

The values of R_1 and R_2 can be reduced at the expense of increased DC current. That is not going to be practical. Obviously, we are depending on C_2 getting the impedance down very low before the audio band. For 100Hz and 95dB, you find that the capacitor is again unrealistic. For values of $10\text{k}\Omega$, $10\text{k}\Omega$, and a somewhat large $100\mu\text{F}$ capacitor, the resulting attenuation curve is shown in Figure 6. Even with a very large $100\mu\text{F}$ capacitor, the mute attenuation at 100Hz is only -68dB. This is still unacceptable, and a better bias circuit is needed. The solution is to use an active circuit, as will be discussed later in this article.

Stereo Circuit

Before we discuss the active circuit fix, let us take a look at what happens in a stereo design. For a stereo signal that is sharing a passive bias generator, the mute or feedthrough problem occurs. There is, however, an additional problem: crosstalk. Crosstalk is the leakage of signal from the left (L) channel into the right (R) channel, or vice versa. Here is how it happens. When we share the bias line between L and R channels the circuit is as shown in **Figure 7**.

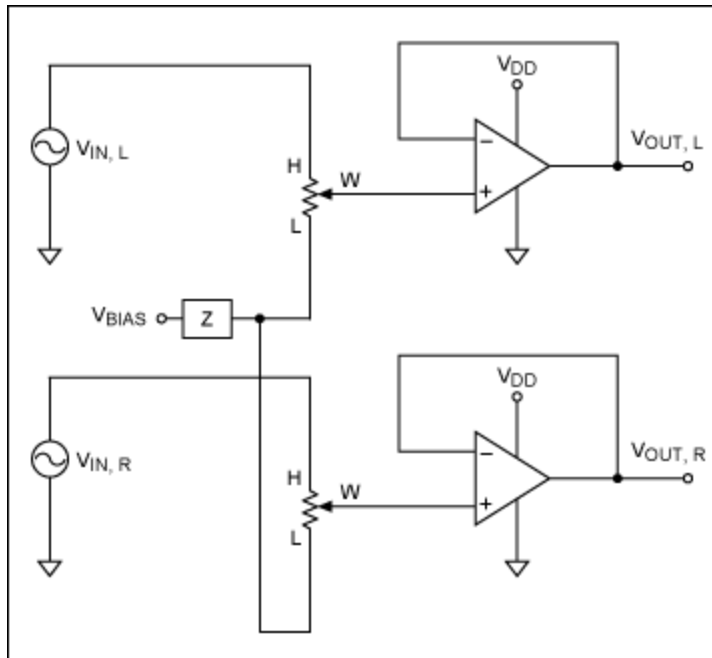


Figure 7. Passive bias networks and stereo signals.

The finite bias impedance again creates a signal voltage on the L terminal of the digital potentiometer when there is an input on the H terminal. However, this time we are sharing the bias generator, so we will get a signal at both V_{OUT} pins from a signal on either the left or the right V_{IN} . The in-channel signal will appear as poor mute attenuation or a failure to follow the attenuation curve. The opposite-channel signal will appear as crosstalk or a loss of stereo separation.

Active Bias

There is a solution to all of these problems: provide a very stiff or low-impedance source of V_{BIAS} . A typical circuit is shown in **Figure 8**. The divided-down V_{DD} is buffered by an op amp whose closed-loop output impedance is fractions of an ohm. Using this circuit you can achieve results in the 90dB range with careful design.

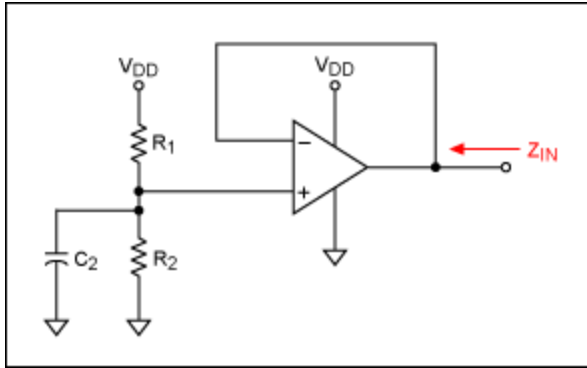


Figure 8. Op amp buffers bias voltage-divider.

Measurement Results

A test board was used to compare the passive and active approaches. **Figures 9** and **10** illustrate typical performance achieved on a [MAX5457](#)-based test board for both passive and active circuits. The passive circuit is made of two 1k Ω resistors bypassed by 4.7 μ F. This results in a pole at 68Hz (calculated) and a continuous 2.5mA drain on the 5V supply.

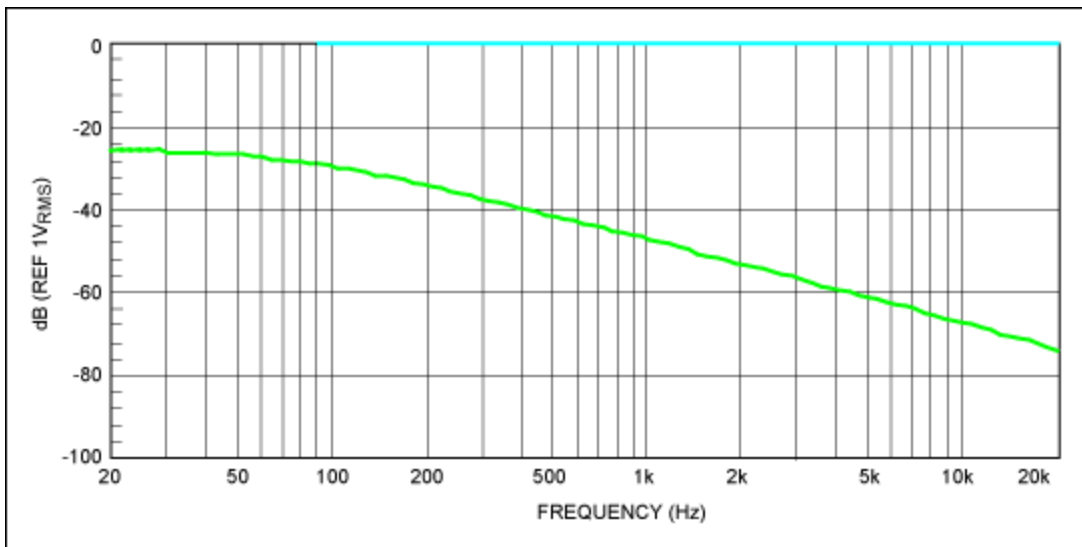


Figure 9. Full-scale and mute responses with passive biasing of digital potentiometer.

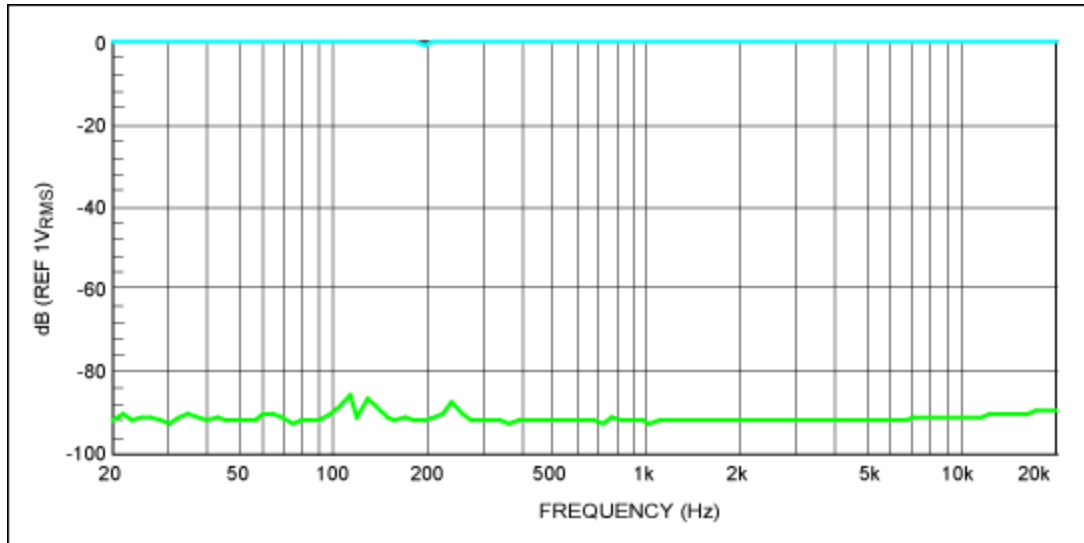


Figure 10. Full-scale and mute responses with active biasing of digital potentiometer.

The active circuit can have higher resistors since only a noninverting buffer is loading it. In this case, two 100k Ω resistors can be used without affecting the active bias curve. This makes the continuous battery drain just 25 μ A.

Even Better—Integrate It!

As we have seen, the passive circuits have poor performance and add both cost and size. An active circuit that creates a buffered version of the resistor-divider works well, but adds the overhead of an op amp. Is there a way to have both small size and the best performance? It turns out that the answer is yes. A volume-control IC like the [MAX5486](#) in **Figure 11** is an all-in-one solution that includes this function together with the digital potentiometer in a single package.

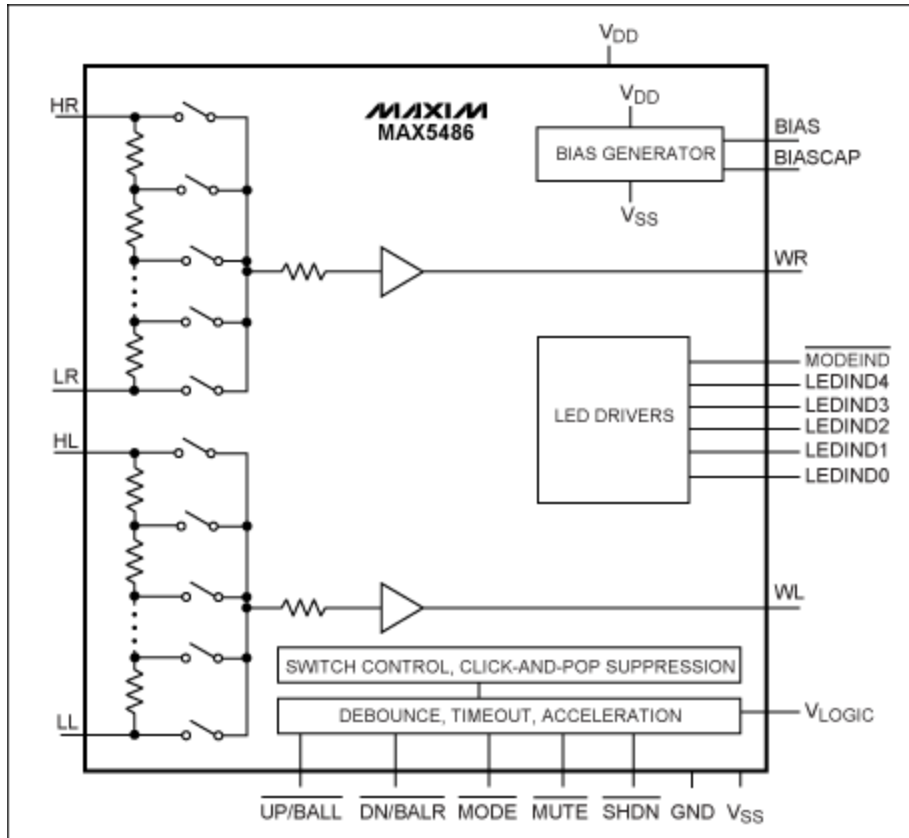


Figure 11. The MAX5486 volume control IC includes V_{BIAS} and wiper buffers required for audio applications.

Various members of the Maxim family of volume-control ICs provide solutions that can be directly interfaced to a microprocessor, pushbuttons, rotary encoders, or even infrared remote controls. Additional features like zero crossing synchronized wiper movements make them optimal for audio applications.

Related Parts

MAX5440	Stereo Volume Control with Rotary Encoder Interface	Free Samples
MAX5456	Stereo Audio Taper Potentiometers with Pushbutton Interface	Free Samples
MAX5457	Stereo Audio Taper Potentiometers with Pushbutton Interface	Free Samples
MAX5486	Stereo Volume Control with Pushbutton Interface	Free Samples

More Information

For Technical Support: <http://www.maximintegrated.com/support>

For Samples: <http://www.maximintegrated.com/samples>
Other Questions and Comments: <http://www.maximintegrated.com/contact>

Application Note 4262: <http://www.maximintegrated.com/an4262>
TUTORIAL 4262, AN4262, AN 4262, APP4262, Appnote4262, Appnote 4262
Copyright © by Maxim Integrated Products
Additional Legal Notices: <http://www.maximintegrated.com/legal>