

RoHS Compliant

Features

- 0603 Size. Rated current up to 2A MAX.
- Effective for filtering noise on power (Vcc) lines.

Applications

- PCs, Laser Printers, Cellular Phone, Power/ Signal Lines for LCD Display, Office Equipments
- AV Power Supply/ Signal Line, TV, VCR, etc.
- High Current Signal Lines

How to Order

KNH 16 C104 DA 5T S
① ② ③ ④ ⑤ ⑥

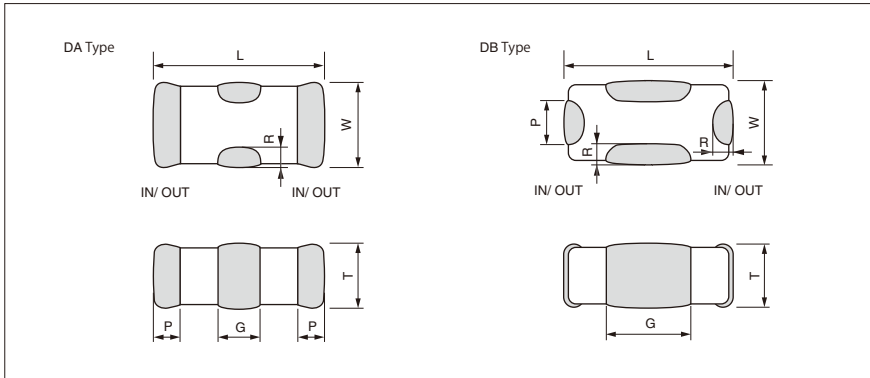
① Series		
② Size Code	1608 (EIA: 0603)	
③ Capacitance		
C105	1,000,000pF	C104 100,000pF
④ Application		
DA	Digital Circuit in General (Std. Type)	
DB	Digital Circuit in General (High Att. Type)	
⑤ Packaging		
5T	T&R: 5000 pcs. (Std.)	
⑥ Termination		
S	Std.	

Specifications

Part Number	Capacitance (+50/ -20%)	Rated Current	Rated Voltage	Temp. Coefficient of Capacitance
KNH16C105DB5TS	1,000,000pF	2.0A	10VDC	±15%
KNH16C104DB5TS	100,000pF	2.0A	25VDC	±15%

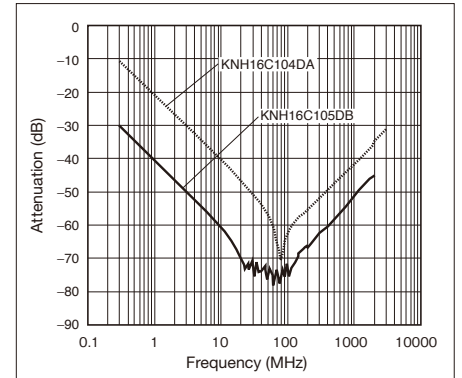
Dimensions

(Unit: mm)



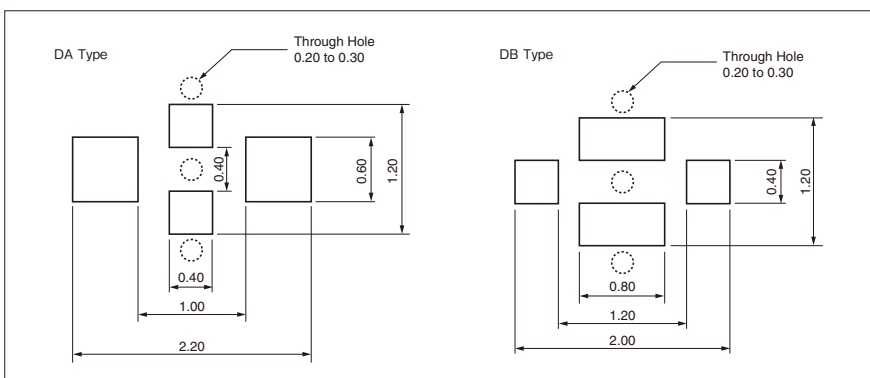
CODE	L	W	T
KNH16	1.60±0.10	0.80±0.10	0.60±0.10
CODE	G	P	R
DA Type	0.40±0.10	0.25±0.10	≥0.01
DB Type	0.85±0.15	0.40±0.10	≥0.01

Attenuation Characteristics



Recommended Land Pattern

(Unit: mm)



Packaging Specification

- Taping (5,000/ reel) (Unit: mm)

