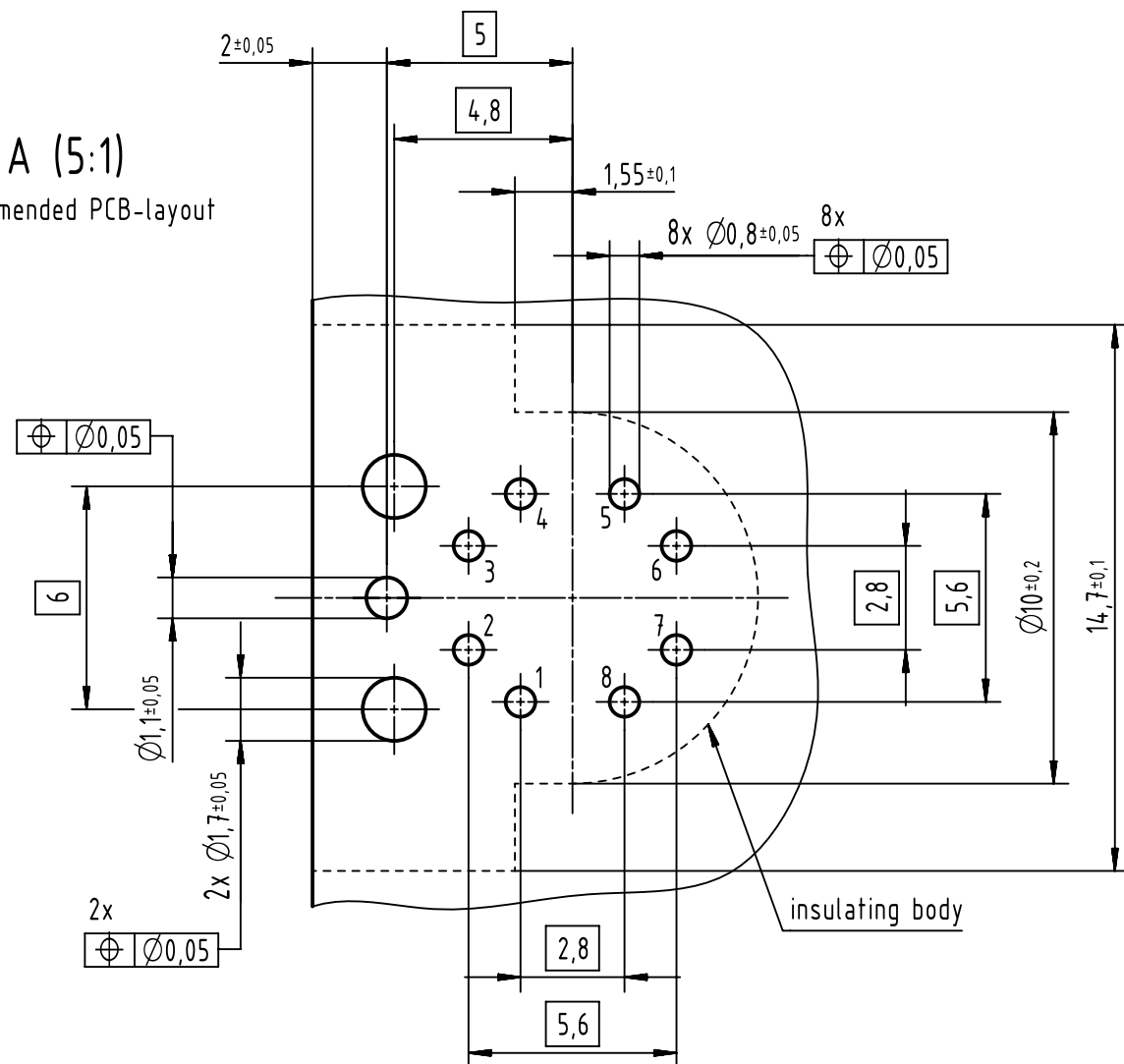


A (5:1)  
recommended PCB-layout



- 500 mating cycles acc. to DIN EN 60512-9-1
- design for reflow soldering
- 30 pcs. tray package

| pin assignment                        |     |        |      |
|---------------------------------------|-----|--------|------|
| difference of contact length to pin 1 | pin | signal | pair |
| 0                                     | 1   | TD1+   | 2    |
| -2,8                                  | 2   | RD1-   | 2    |
| -2,8                                  | 3   | TD2+   | 3    |
| 0                                     | 4   | RD2-   | 3    |
| +5,6                                  | 5   | TD4+   | 4    |
| +8,4                                  | 6   | RD4-   | 4    |
| +8,4                                  | 7   | RD3-   | 1    |
| +5,6                                  | 8   | TD3+   | 1    |

|                              |                     |   |                     |  |                 |                     |
|------------------------------|---------------------|---|---------------------|--|-----------------|---------------------|
|                              | All rights reserved | Created by HASSEBROCKS                          | Inspected by 104122 | Standardisation 302077                             | Date 2020-12-10 | State Final Release |
|                              | Department EL PD    | Title har-speed M12 PCB Cat6A receptacle angled |                     | Doc-Key / ECM-Nr. 100227330/UGD/006/K 500000185634 |                 |                     |
| HARTING<br>D-32339 Espelkamp | Type TB             | Number 21033814806                              |                     | Rev. K   | Page 1/1        |                     |