

DATA SHEET



PCF8578

LCD row/column driver for
dot matrix graphic displays

Product specification
Supersedes data of 1998 Sep 08

2003 Apr 14

**LCD row/column driver for
dot matrix graphic displays****PCF8578**

| | | |
|-----------------|---|---|
| CONTENTS | 18 | SOLDERING |
| 1 | FEATURES | 18.1 Introduction to soldering surface mount packages |
| 2 | APPLICATIONS | 18.2 Reflow soldering |
| 3 | GENERAL DESCRIPTION | 18.3 Wave soldering |
| 4 | ORDERING INFORMATION | 18.4 Manual soldering |
| 5 | BLOCK DIAGRAM | 18.5 Suitability of surface mount IC packages for wave and reflow soldering methods |
| 6 | PINNING | 19 |
| 7 | FUNCTIONAL DESCRIPTION | 19 |
| 7.1 | Mixed mode | 20 |
| 7.2 | Row mode | 20 |
| 7.3 | Multiplexed LCD bias generation | 21 |
| 7.4 | Power-on reset | 21 |
| 7.5 | Internal clock | 22 |
| 7.6 | External clock | |
| 7.7 | Timing generator | |
| 7.8 | Row/column drivers | |
| 7.9 | Display mode controller | |
| 7.10 | Display RAM | |
| 7.11 | Data pointer | |
| 7.12 | Subaddress counter | |
| 7.13 | I ² C-bus controller | |
| 7.14 | Input filters | |
| 7.15 | RAM access | |
| 7.16 | Display control | |
| 7.17 | TEST pin | |
| 8 | I ² C-BUS PROTOCOL | |
| 8.1 | Command decoder | |
| 9 | CHARACTERISTICS OF THE I ² C-BUS | |
| 9.1 | Bit transfer | |
| 9.2 | Start and stop conditions | |
| 9.3 | System configuration | |
| 9.4 | Acknowledge | |
| 10 | LIMITING VALUES | |
| 11 | HANDLING | |
| 12 | DC CHARACTERISTICS | |
| 13 | AC CHARACTERISTICS | |
| 14 | APPLICATION INFORMATION | |
| 15 | CHIP DIMENSIONS AND BONDING PAD LOCATIONS | |
| 16 | CHIP-ON-GLASS INFORMATION | |
| 17 | PACKAGE OUTLINES | |

LCD row/column driver for dot matrix graphic displays

PCF8578

1 FEATURES

- Single chip LCD controller/driver
- Stand-alone or may be used with up to 32 PCF8579s (40960 dots possible)
- 40 driver outputs, configurable as $32/8$, $24/16$, $16/24$ or $8/32$ rows/columns
- Selectable multiplex rates; 1 : 8, 1 : 16, 1 : 24 or 1 : 32
- Externally selectable bias configuration, 5 or 6 levels
- 1280-bit RAM for display data storage and scratch pad
- Display memory bank switching
- Auto-incremented data loading across hardware subaddress boundaries (with PCF8579)
- Provides display synchronization for PCF8579
- On-chip oscillator, requires only 1 external resistor
- Power-on reset blanks display
- Logic voltage supply range 2.5 to 6 V
- Maximum LCD supply voltage 9 V
- Low power consumption
- I²C-bus interface
- TTL/CMOS compatible
- Compatible with most microcontrollers
- Optimized pinning for single plane wiring in multiple device applications (with PCF8579)
- Space saving 56-lead plastic mini-pack and 64 pin quad flat pack
- Compatible with chip-on-glass technology.



2 APPLICATIONS

- Automotive information systems
- Telecommunication systems
- Point-of-sale terminals
- Computer terminals
- Instrumentation.

3 GENERAL DESCRIPTION

The PCF8578 is a low power CMOS LCD row/column driver, designed to drive dot matrix graphic displays at multiplex rates of 1 : 8, 1 : 16, 1 : 24 or 1 : 32. The device has 40 outputs, of which 24 are programmable, configurable as $32/8$, $24/16$, $16/24$ or $8/32$ rows/columns. The PCF8578 can function as a stand-alone LCD controller/driver for use in small systems, or for larger systems can be used in conjunction with up to 32 PCF8579s for which it has been optimized. Together these two devices form a general purpose LCD dot matrix driver chip set, capable of driving displays of up to 40960 dots. The PCF8578 is compatible with most microcontrollers and communicates via a two-line bidirectional bus (I²C-bus). Communication overheads are minimized by a display RAM with auto-incremented addressing and display bank switching.

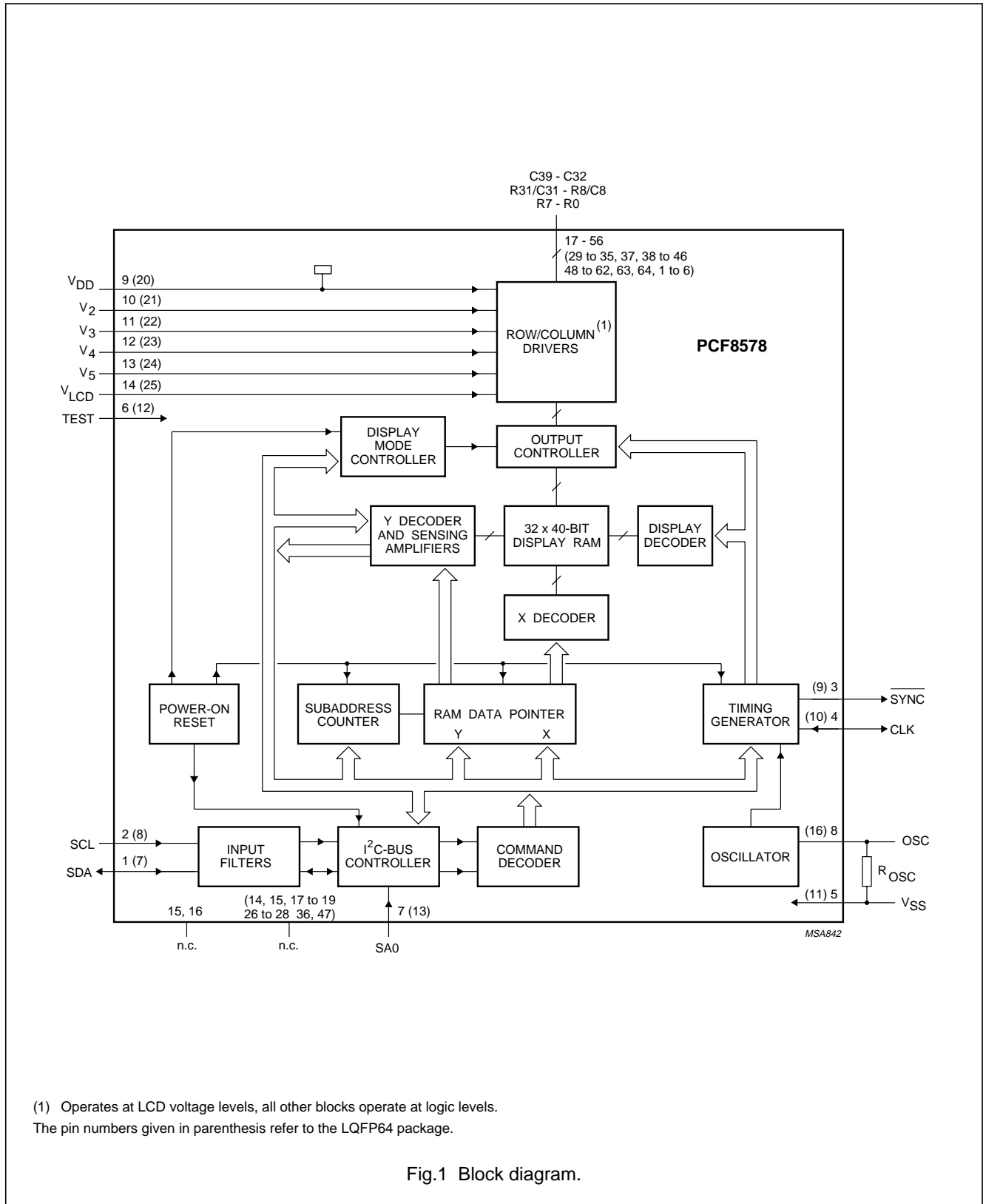
4 ORDERING INFORMATION

| TYPE NUMBER | PACKAGE | | |
|-------------|---------|--|----------|
| | NAME | DESCRIPTION | VERSION |
| PCF8578T | VSO56 | plastic very small outline package; 56 leads | SOT190-1 |
| PCF8578U/2 | – | chip with bumps in tray | – |
| PCF8578H | LQFP64 | plastic low profile quad flat package; 64 leads; body 10 × 10 × 1.4 mm | SOT314-2 |

LCD row/column driver for dot matrix graphic displays

PCF8578

5 BLOCK DIAGRAM



LCD row/column driver for dot matrix graphic displays

PCF8578

6 PINNING

| SYMBOL | PIN | | DESCRIPTION |
|----------------------------------|----------|---------------------------------------|--|
| | VSO56 | LQFP64 | |
| SDA | 1 | 7 | I ² C-bus serial data input/output |
| SCL | 2 | 8 | I ² C-bus serial clock input |
| $\overline{\text{SYNC}}$ | 3 | 9 | cascade synchronization output |
| CLK | 4 | 10 | external clock input/output |
| V _{SS} | 5 | 11 | ground (logic) |
| TEST | 6 | 12 | test pin (connect to V _{SS}) |
| SA0 | 7 | 13 | I ² C-bus slave address input (bit 0) |
| OSC | 8 | 16 | oscillator input |
| V _{DD} | 9 | 20 | positive supply voltage |
| V ₂ to V ₅ | 10 to 13 | 21 to 24 | LCD bias voltage inputs |
| V _{LCD} | 14 | 25 | LCD supply voltage |
| n.c. | 15, 16 | 14, 15, 17 to 19, 26 to 28, 36, 47 | not connected |
| C39 to C32 | 17 to 24 | 29 to 35, 37 | LCD column driver outputs |
| R31/C31 to R8/C8 | 25 to 48 | 38 to 46, 48 to 62 | LCD row/column driver outputs |
| R7 to R0 | 49 to 56 | 63, 64, 1 to 6 | LCD row driver outputs |

LCD row/column driver for dot matrix graphic displays

PCF8578

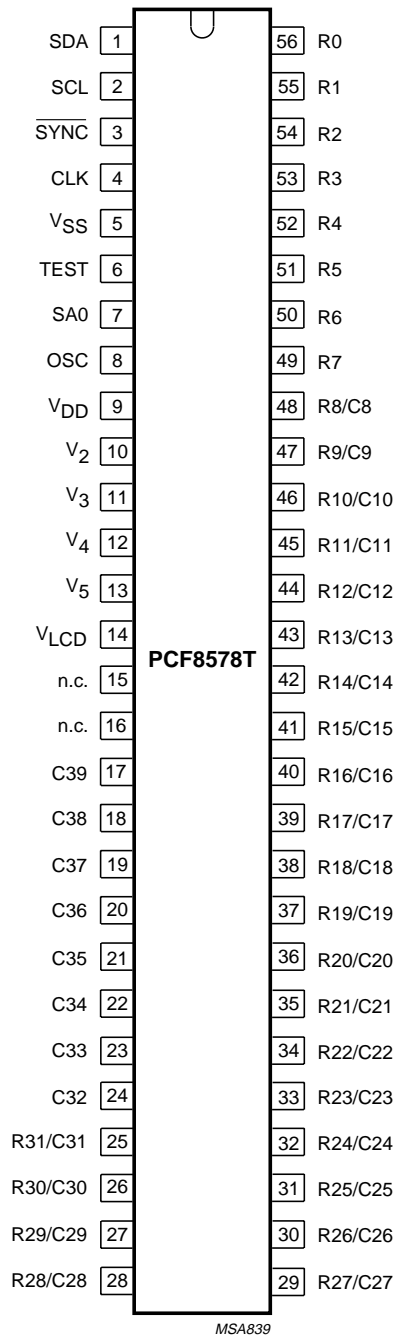


Fig.2 Pin configuration (VSO56).

LCD row/column driver for dot matrix graphic displays

PCF8578

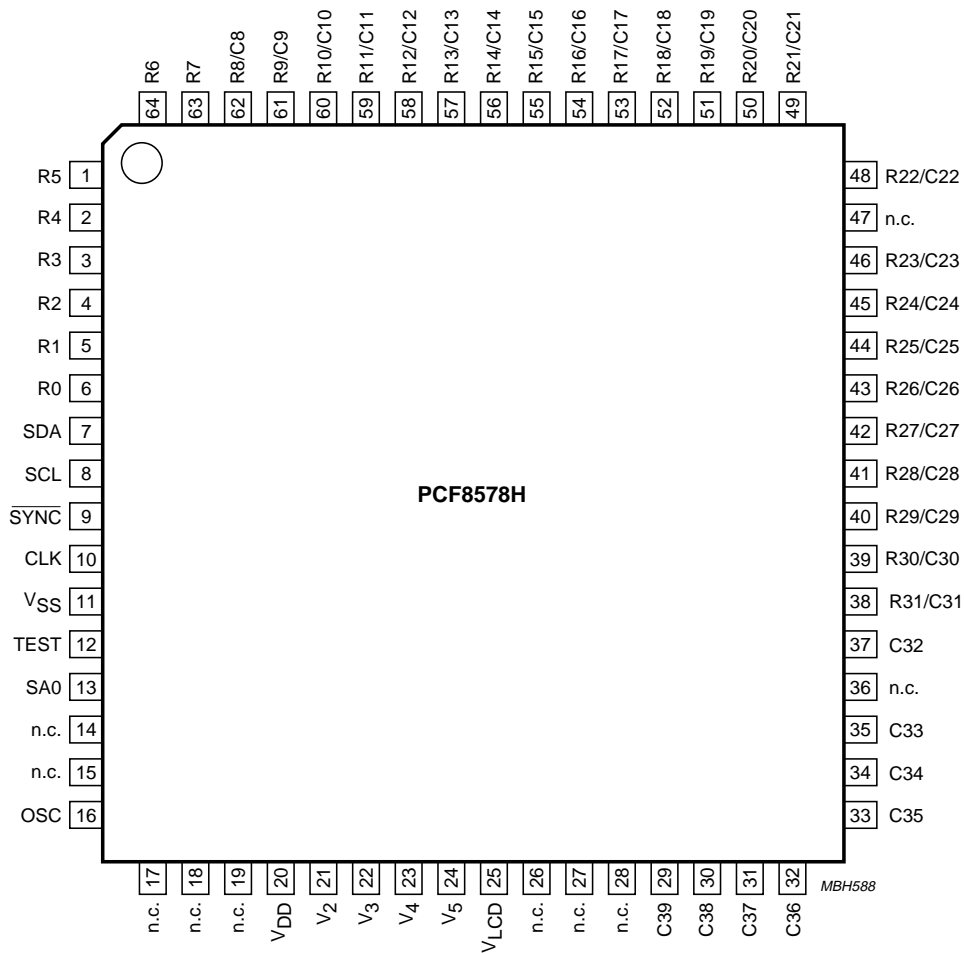


Fig.3 Pin configuration (LQFP64).

LCD row/column driver for dot matrix graphic displays

PCF8578

7 FUNCTIONAL DESCRIPTION

The PCF8578 row/column driver is designed for use in one of three ways:

- Stand-alone row/column driver for small displays (mixed mode)
- Row/column driver with cascaded PCF8579s (mixed mode)
- Row driver with cascaded PCF8579s (mixed mode).

7.1 Mixed mode

In mixed mode, the device functions as both a row and column driver. It can be used in small stand-alone applications, or for larger displays with up to 15 PCF8579s (31 PCF8579s when two slave addresses are used). See Table 1 for common display configurations.

7.2 Row mode

In row mode, the device functions as a row driver with up to 32 row outputs and provides the clock and synchronization signals for the PCF8579. Up to 16 PCF8579s can normally be cascaded (32 when two slave addresses are used).

Timing signals are derived from the on-chip oscillator, whose frequency is determined by the value of the resistor connected between OSC and V_{SS} .

Commands sent on the I²C-bus from the host microcontroller set the mode (row or mixed), configuration (multiplex rate and number of rows and columns) and control the operation of the device. The device may have one of two slave addresses. The only difference between these slave addresses is the least significant bit, which is set by the logic level applied to SA0. The PCF8578 and PCF8579 also have subaddresses. The subaddress of the PCF8578 is only defined in mixed mode and is fixed at 0. The RAM may only be accessed in mixed mode and data is loaded as described for the PCF8579.

Bias levels may be generated by an external potential divider with appropriate decoupling capacitors. For large displays, bias sources with high drive capability should be used. A typical mixed mode system operating with up to 15 PCF8579s is shown in Fig.5 (a stand-alone system would be identical but without the PCF8579s).

Table 1 Possible displays configurations

| APPLICATION | MULTIPLEX RATE | MIXED MODE | | ROW MODE | | TYPICAL APPLICATIONS |
|--------------|----------------|-------------------|--------------------|-----------------------|--------------------|---|
| | | ROWS | COLUMNS | ROWS | COLUMNS | |
| Stand alone | 1 : 8 | 8 | 32 | – | – | small digital or alphanumerical displays |
| | 1 : 16 | 16 | 24 | – | – | |
| | 1 : 24 | 24 | 16 | – | – | |
| | 1 : 32 | 32 | 8 | – | – | |
| With PCF8579 | 1 : 8 | 8 ⁽¹⁾ | 632 ⁽¹⁾ | 8 × 4 ⁽²⁾ | 640 ⁽²⁾ | alphanumeric displays and dot matrix graphic displays |
| | 1 : 16 | 16 ⁽¹⁾ | 624 ⁽¹⁾ | 16 × 2 ⁽²⁾ | 640 ⁽²⁾ | |
| | 1 : 24 | 24 ⁽¹⁾ | 616 ⁽¹⁾ | 24 ⁽²⁾ | 640 ⁽²⁾ | |
| | 1 : 32 | 32 ⁽¹⁾ | 608 ⁽¹⁾ | 24 ⁽²⁾ | 640 ⁽²⁾ | |

Notes

1. Using 15 PCF8579s.
2. Using 16 PCF8579s.

LCD row/column driver for dot matrix graphic displays

PCF8578

7.3 Multiplexed LCD bias generation

The bias levels required to produce maximum contrast depend on the multiplex rate and the LCD threshold voltage (V_{th}). V_{th} is typically defined as the RMS voltage at which the LCD exhibits 10% contrast. Table 2 shows the optimum voltage bias levels for the PCF8578 as functions of V_{op} ($V_{op} = V_{DD} - V_{LCD}$), together with the discrimination ratios (D) for the different multiplex rates. A practical value for V_{op} is obtained by equating $V_{off(rms)}$ with V_{th} . Figure 4 shows the first 4 rows of Table 2 as graphs. Table 3 shows the relative values of the resistors required in the configuration of Fig.5 to produce the standard multiplex rates.

Table 2 Optimum LCD voltages

| PARAMETER | MULTIPLEX RATE | | | |
|--|----------------|--------|--------|--------|
| | 1 : 8 | 1 : 16 | 1 : 24 | 1 : 32 |
| $\frac{V_2}{V_{op}}$ | 0.739 | 0.800 | 0.830 | 0.850 |
| $\frac{V_3}{V_{op}}$ | 0.522 | 0.600 | 0.661 | 0.700 |
| $\frac{V_4}{V_{op}}$ | 0.478 | 0.400 | 0.339 | 0.300 |
| $\frac{V_5}{V_{op}}$ | 0.261 | 0.200 | 0.170 | 0.150 |
| $\frac{V_{off(rms)}}{V_{op}}$ | 0.297 | 0.245 | 0.214 | 0.193 |
| $\frac{V_{on(rms)}}{V_{op}}$ | 0.430 | 0.316 | 0.263 | 0.230 |
| $D = \frac{V_{on(rms)}}{V_{off(rms)}}$ | 1.447 | 1.291 | 1.230 | 1.196 |
| $\frac{V_{op}}{V_{th}}$ | 3.370 | 4.080 | 4.680 | 5.190 |

Table 3 Multiplex rates and resistor values for Fig.5

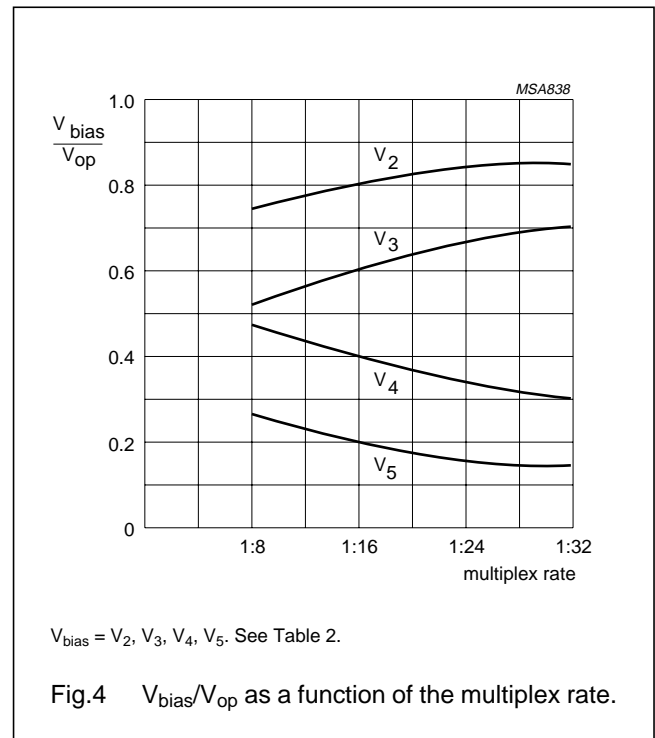
| RESISTORS | MULTIPLEX RATE (n) | |
|-----------|--------------------|-------------------|
| | n = 8 | n = 16, 24, 32 |
| R1 | R | R |
| R2 | $(\sqrt{n} - 2)R$ | R |
| R3 | $(3 - \sqrt{n})R$ | $(\sqrt{n} - 3)R$ |

7.4 Power-on reset

At power-on the PCF8578 resets to a defined starting condition as follows:

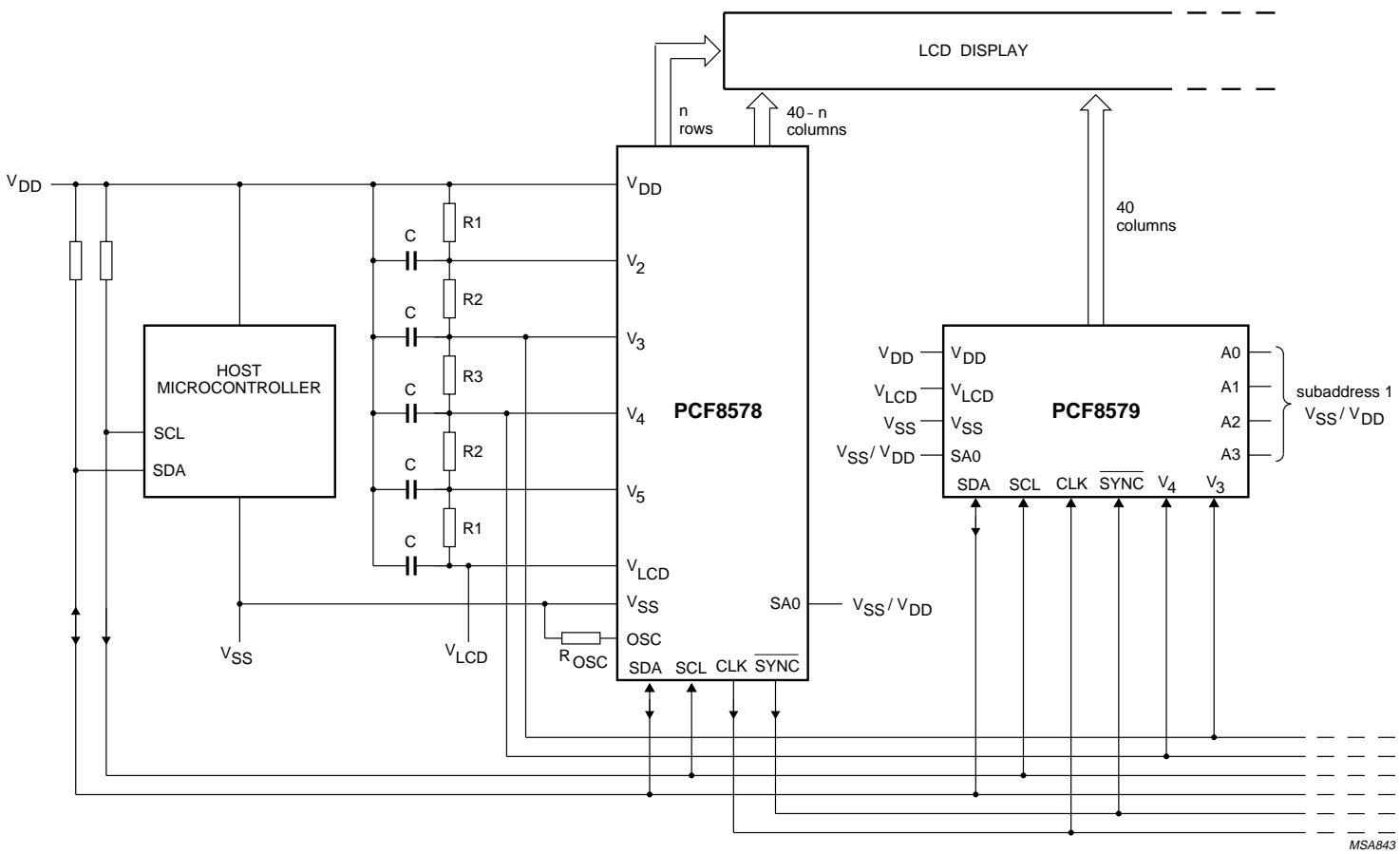
1. Display blank
2. 1 : 32 multiplex rate, row mode
3. Start bank, 0 selected
4. Data pointer is set to X, Y address 0, 0
5. Character mode
6. Subaddress counter is set to 0
7. I²C-bus interface is initialized.

Data transfers on the I²C-bus should be avoided for 1 ms following power-on, to allow completion of the reset action.



LCD row/column driver for dot matrix graphic displays

PCF8578



MSA843

Fig.5 Typical mixed mode configuration.

LCD row/column driver for dot matrix graphic displays

PCF8578

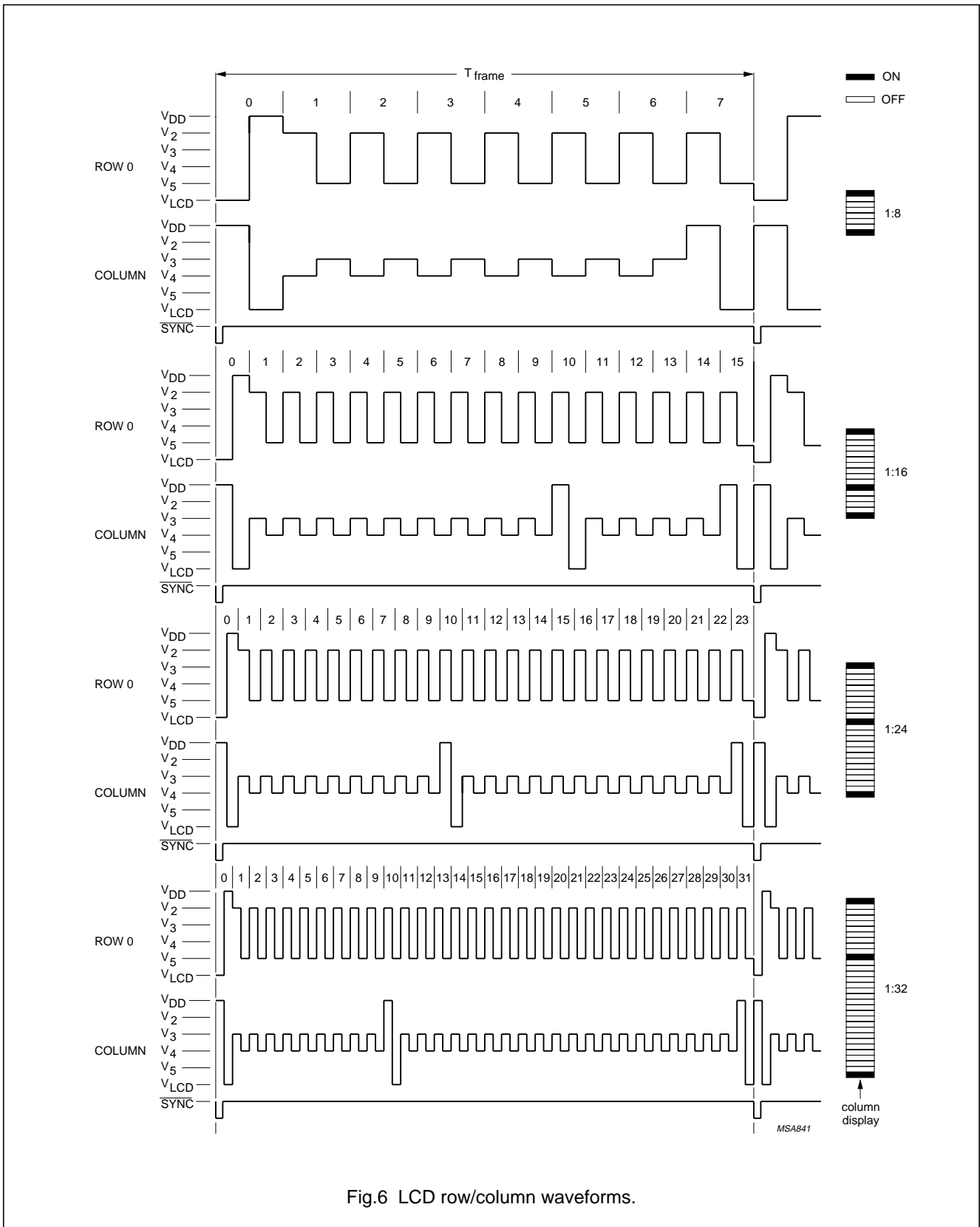
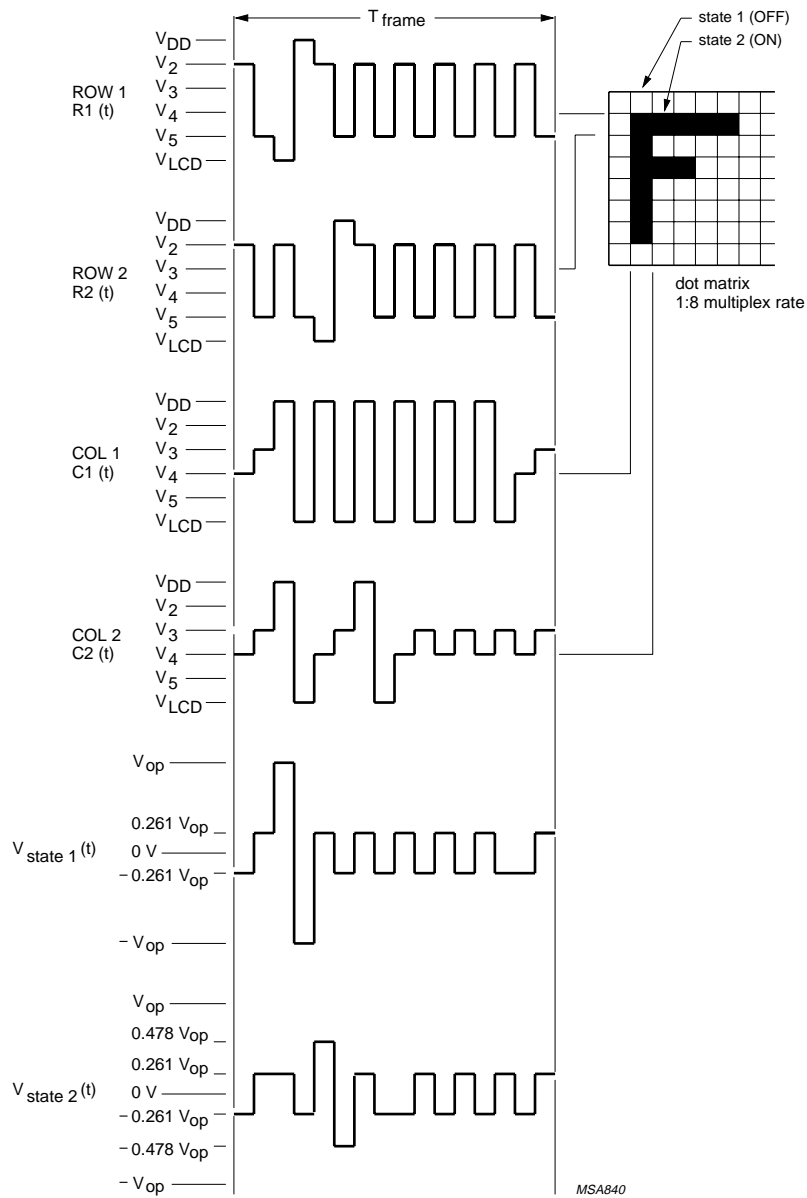


Fig.6 LCD row/column waveforms.

LCD row/column driver for dot matrix graphic displays

PCF8578



MSA840

$$V_{state\ 1}(t) = C1(t) - R1(t):$$

$$\frac{V_{on(rms)}}{V_{op}} = \sqrt{\frac{1}{8} + \frac{\sqrt{8}-1}{8(\sqrt{8}+1)}} = 0.430$$

$$V_{state\ 2}(t) = C2(t) - R2(t):$$

$$\frac{V_{off(rms)}}{V_{op}} = \sqrt{\frac{2(\sqrt{8}-1)}{\sqrt{8}(\sqrt{8}+1)^2}} = 0.297$$

general relationship (n = multiplex rate)

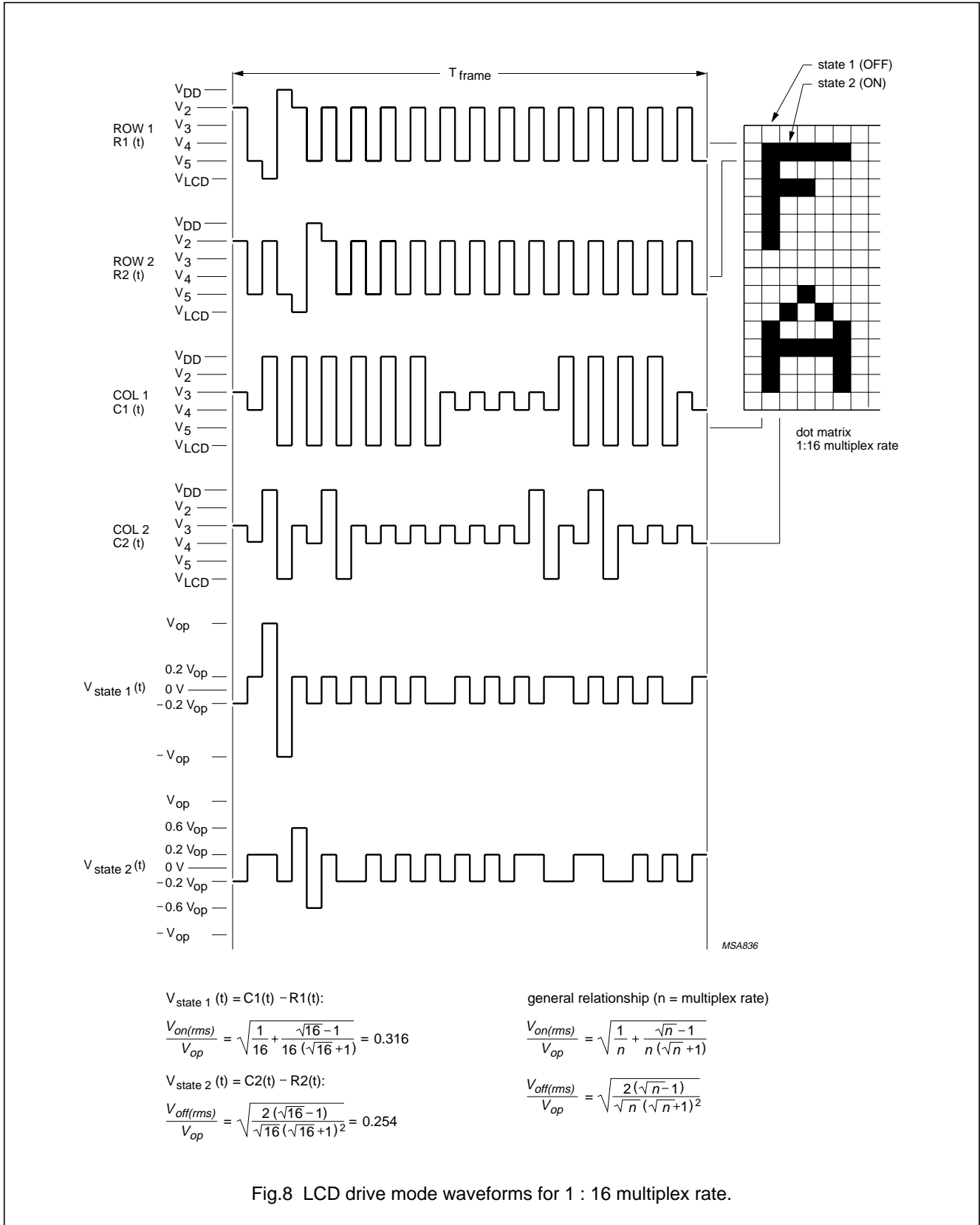
$$\frac{V_{on(rms)}}{V_{op}} = \sqrt{\frac{1}{n} + \frac{\sqrt{n}-1}{n(\sqrt{n}+1)}}$$

$$\frac{V_{off(rms)}}{V_{op}} = \sqrt{\frac{2(\sqrt{n}-1)}{\sqrt{n}(\sqrt{n}+1)^2}}$$

Fig.7 LCD drive mode waveforms for 1 : 8 multiplex rate.

LCD row/column driver for dot matrix graphic displays

PCF8578

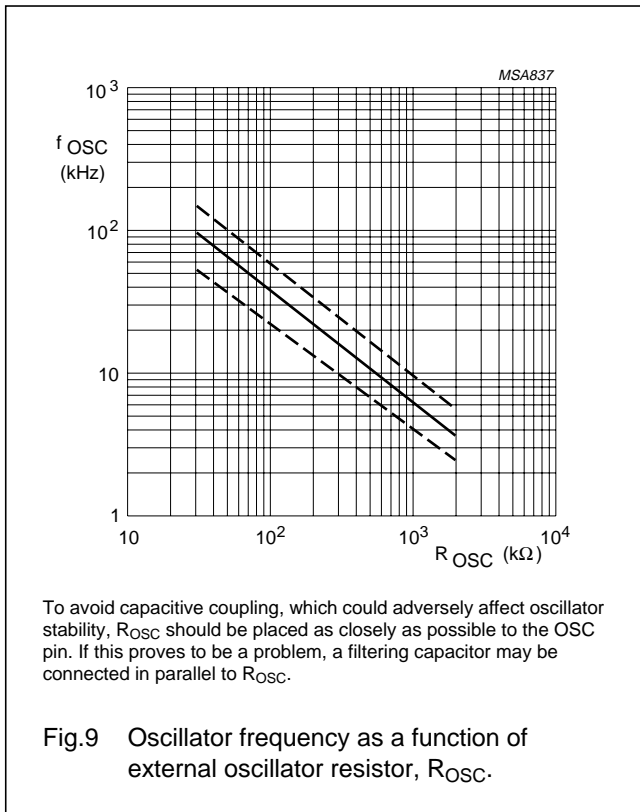


LCD row/column driver for dot matrix graphic displays

PCF8578

7.5 Internal clock

The clock signal for the system may be generated by the internal oscillator and prescaler. The frequency is determined by the value of the resistor R_{OSC} , see Fig.9. For normal use a value of 330 k Ω is recommended. The clock signal, for cascaded PCF8579s, is output at CLK and has a frequency $\frac{1}{6}$ (multiplex rate 1 : 8, 1 : 16 and 1 : 32) or $\frac{1}{8}$ (multiplex rate 1 : 24) of the oscillator frequency.



7.6 External clock

If an external clock is used, OSC must be connected to V_{DD} and the external clock signal to CLK. Table 4 summarizes the nominal CLK and \overline{SYNC} frequencies.

7.7 Timing generator

The timing generator of the PCF8578 organizes the internal data flow of the device and generates the LCD frame synchronization pulse \overline{SYNC} , whose period is an integer multiple of the clock period. In cascaded applications, this signal maintains the correct timing relationship between the PCF8578 and PCF8579s in the system.

7.8 Row/column drivers

Outputs R0 to R7 and C32 to C39 are fixed as row and column drivers respectively. The remaining 24 outputs R8/C8 to R31/C31 are programmable and may be configured (in blocks of 8) to be either row or column drivers. The row select signal is produced sequentially at each output from R0 up to the number defined by the multiplex rate (see Table 1). In mixed mode the remaining outputs are configured as columns. In row mode all programmable outputs (R8/C8 to R31/C31) are defined as row drivers and the outputs C32 to C39 should be left open-circuit.

Using a 1 : 16 multiplex rate, two sets of row outputs are driven, thus facilitating split-screen configurations, i.e. a row select pulse appears simultaneously at R0 and R16/C16, R1 and R17/C17 etc. Similarly, using a multiplex rate of 1 : 8, four sets of row outputs are driven simultaneously. Driver outputs must be connected directly to the LCD. Unused outputs should be left open-circuit. In 1 : 8 R0 to R7 are rows; in 1 : 16 R0 to R15/C15 are rows; in 1 : 24 R0 to R23/C23 are rows; in 1 : 32 R0 to R31/C31 are rows.

Table 4 Signal frequencies required for nominal 64 Hz frame frequency; note 1.

| OSCILLATOR FREQUENCY $f_{OSC}^{(2)}$ (Hz) | FRAME FREQUENCY $f_{\overline{SYNC}}$ (Hz) | MULTIPLEX RATE (n) | DIVISION RATIO | CLOCK FREQUENCY f_{CLK} (Hz) |
|--|---|-----------------------|----------------|-----------------------------------|
| 12288 | 64 | 1 : 8, 1 : 16, 1 : 32 | 6 | 2048 |
| 12288 | 64 | 1 : 24 | 8 | 1536 |

Notes

1. A clock signal must always be present, otherwise the LCD may be frozen in a DC state.
2. $R_{OSC} = 330 \text{ k}\Omega$.

LCD row/column driver for dot matrix graphic displays

PCF8578

7.9 Display mode controller

The configuration of the outputs (row or column) and the selection of the appropriate driver waveforms are controlled by the display mode controller.

7.10 Display RAM

The PCF8578 contains a 32×40 -bit static RAM which stores the display data. The RAM is divided into 4 banks of 40 bytes ($4 \times 8 \times 40$ bits). During RAM access, data is transferred to/from the RAM via the I²C-bus. The first eight columns of data (0 to 7) cannot be displayed but are available for general data storage and provide compatibility with the PCF8579. There is a direct correspondence between X-address and column output number.

7.11 Data pointer

The addressing mechanism for the display RAM is realized using the data pointer. This allows an individual data byte or a series of data bytes to be written into, or read from, the display RAM, controlled by commands sent on the I²C-bus.

7.12 Subaddress counter

The storage and retrieval of display data is dependent on the content of the subaddress counter. Storage takes place only when the contents of the subaddress counter agree with the hardware subaddress. The hardware subaddress of the PCF8578, valid in mixed mode only, is fixed at 0000.

7.13 I²C-bus controller

The I²C-bus controller detects the I²C-bus protocol, slave address, commands and display data bytes. It performs the conversion of the data input (serial-to-parallel) and the data output (parallel-to-serial). The PCF8578 acts as an I²C-bus slave transmitter/receiver in mixed mode, and as a slave receiver in row mode. A slave device cannot control bus communication.

7.14 Input filters

To enhance noise immunity in electrically adverse environments, RC low-pass filters are provided on the SDA and SCL lines.

7.15 RAM access

RAM operations are only possible when the PCF8578 is in mixed mode.

In this event its hardware subaddress is internally fixed at 0000 and the hardware subaddresses of any PCF8579 used in conjunction with the PCF8578 must start at 0001.

There are three RAM ACCESS modes:

- Character
- Half-graphic
- Full-graphic.

These modes are specified by bits G1 to G0 of the RAM ACCESS command. The RAM ACCESS command controls the order in which data is written to or read from the RAM (see Fig.10).

To store RAM data, the user specifies the location into which the first byte will be loaded (see Fig.11):

- Device subaddress (specified by the DEVICE SELECT command)
- RAM X-address (specified by the LOAD X-ADDRESS command)
- RAM bank (specified by bits Y1 and Y0 of the RAM ACCESS command).

Subsequent data bytes will be written or read according to the chosen RAM ACCESS mode. Device subaddresses are automatically incremented between devices until the last device is reached. If the last device has subaddress 15, further display data transfers will lead to a wrap-around of the subaddress to 0.

7.16 Display control

The display is generated by continuously shifting rows of RAM data to the dot matrix LCD via the column outputs. The number of rows scanned depends on the multiplex rate set by bits M1 and M0 of the SET MODE command.

The display status (all dots on/off and normal/inverse video) is set by bits E1 and E0 of the SET MODE command. For bank switching, the RAM bank corresponding to the top of the display is set by bits B1 and B0 of the SET START BANK command. This is shown in Fig.12. This feature is useful when scrolling in alphanumeric applications.

7.17 TEST pin

The TEST pin must be connected to V_{SS}.

LCD row/column driver for dot matrix graphic displays

PCF8578

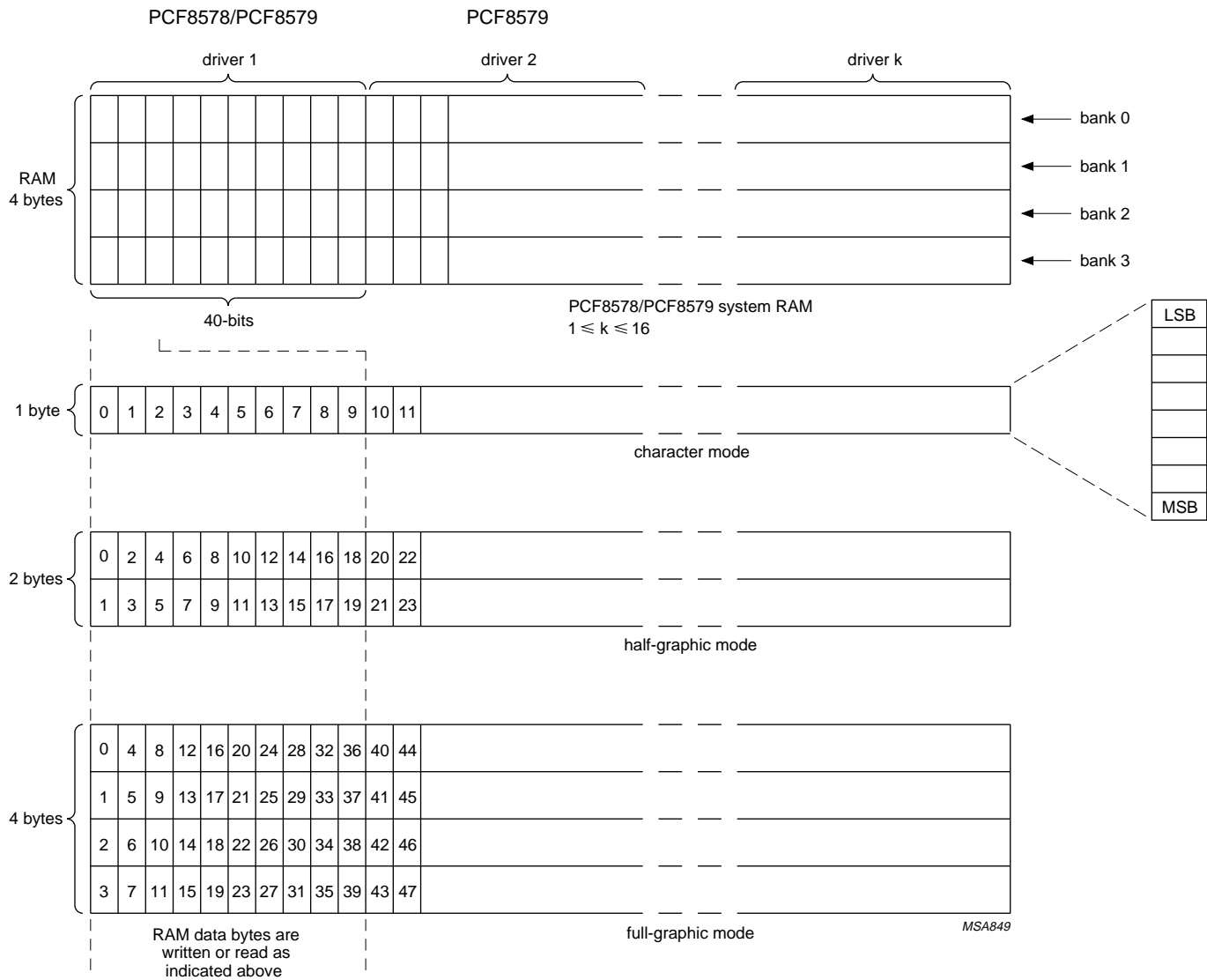


Fig.10 RAM ACCESS mode.

LCD row/column driver for dot matrix graphic displays

PCF8578

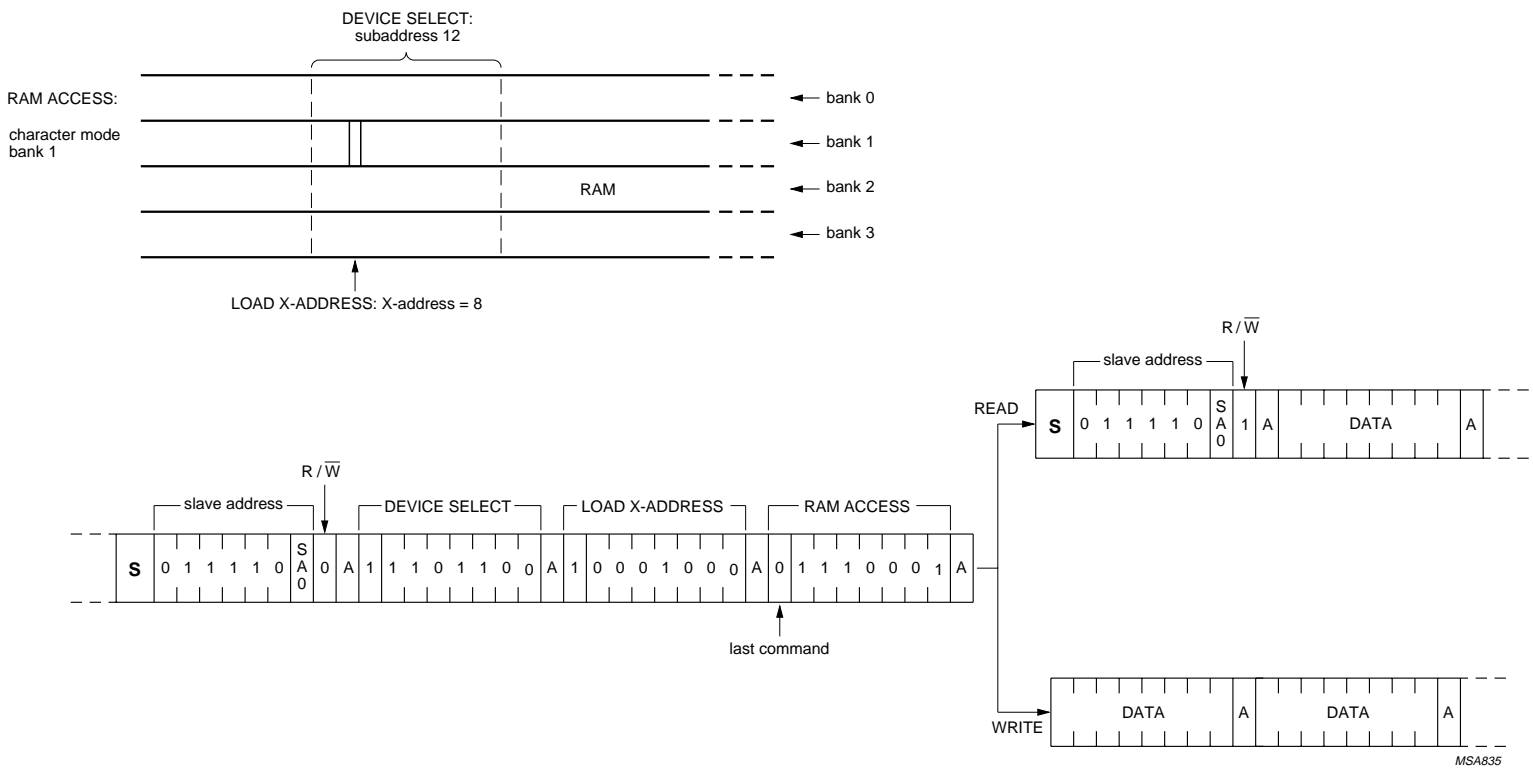


Fig.11 Example of commands specifying initial data byte RAM locations.

MSA835

LCD row/column driver for dot matrix graphic displays

PCF8578

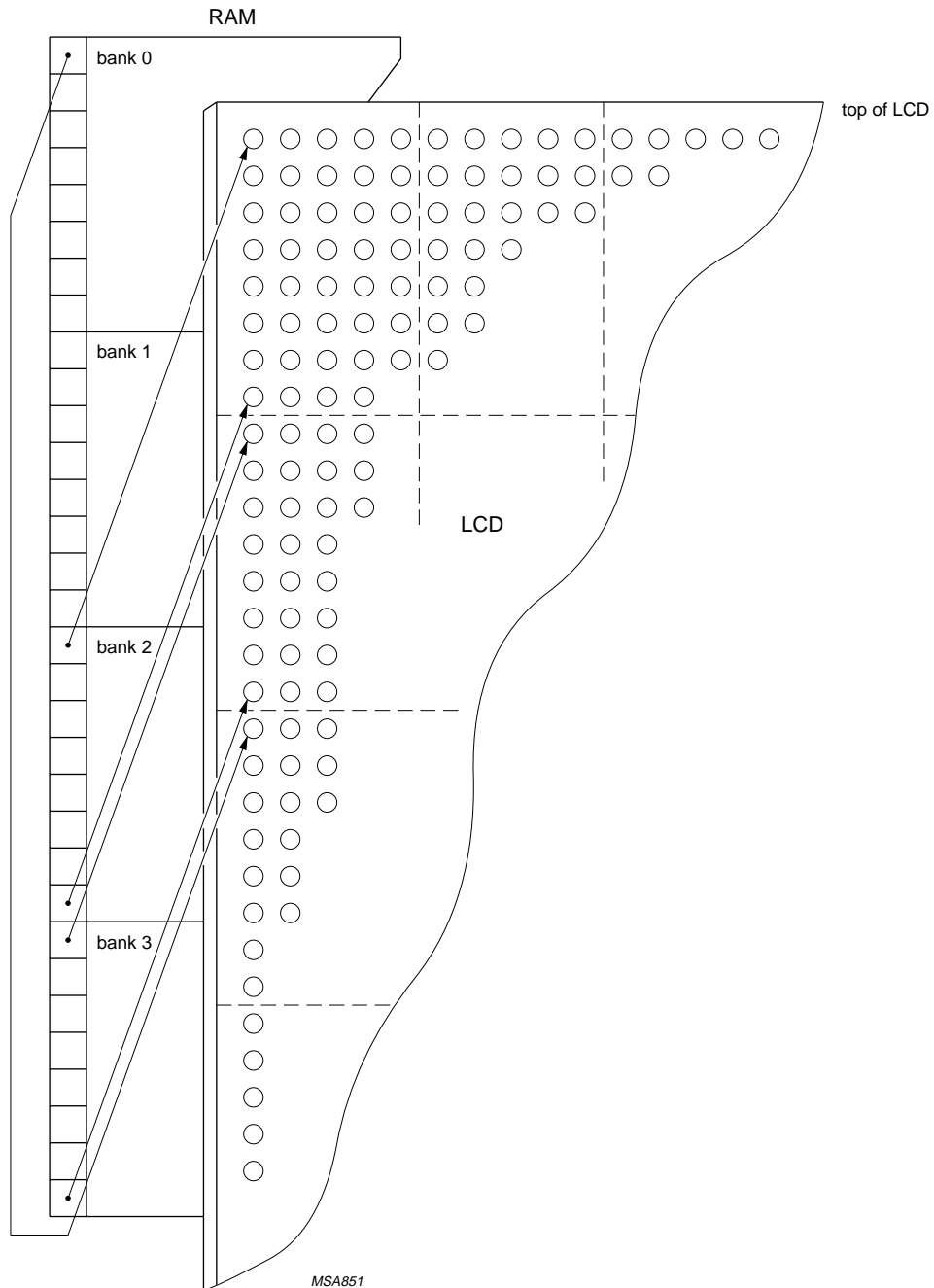


Fig.12 Relationship between display and SET START BANK; 1 : 32 multiplex rate and start bank = 2.

LCD row/column driver for dot matrix graphic displays

PCF8578

8 I²C-BUS PROTOCOL

Two 7-bit slave addresses (0111100 and 0111101) are reserved for both the PCF8578 and PCF8579. The least significant bit of the slave address is set by connecting input SA0 to either 0 (V_{SS}) or 1 (V_{DD}). Therefore, two types of PCF8578 or PCF8579 can be distinguished on the same I²C-bus which allows:

1. One PCF8578 to operate with up to 32 PCF8579s on the same I²C-bus for very large applications
2. The use of two types of LCD multiplex schemes on the same I²C-bus.

In most applications the PCF8578 will have the same slave address as the PCF8579.

The I²C-bus protocol is shown in Fig.13.

All communications are initiated with a start condition (S) from the I²C-bus master, which is followed by the desired slave address and read/write bit. All devices with this slave address acknowledge in parallel. All other devices ignore the bus transfer.

In WRITE mode (indicated by setting the read/write bit LOW) one or more commands follow the slave address acknowledgement. The commands are also acknowledged by all addressed devices on the bus. The last command must clear the continuation bit C. After the last command a series of data bytes may follow. The acknowledgement after each byte is made only by the (A0, A1, A2 and A3) addressed PCF8579 or PCF8578 with its implicit subaddress 0. After the last data byte has been acknowledged, the I²C-bus master issues a stop condition (P).

In READ mode, indicated by setting the read/write bit HIGH, data bytes may be read from the RAM following the slave address acknowledgement. After this acknowledgement the master transmitter becomes a master receiver and the PCF8578 becomes a slave transmitter. The master receiver must acknowledge the reception of each byte in turn. The master receiver must signal an end of data to the slave transmitter, by not generating an acknowledge on the last byte clocked out of the slave. The slave transmitter then leaves the data line HIGH, enabling the master to generate a stop condition (P).

Display bytes are written into, or read from, the RAM at the address specified by the data pointer and subaddress counter. Both the data pointer and subaddress counter are automatically incremented, enabling a stream of data to be transferred either to, or from, the intended devices.

In multiple device applications, the hardware subaddress pins of the PCF8579s (A0 to A3) are connected to V_{SS} or V_{DD} to represent the desired hardware subaddress code. If two or more devices share the same slave address, then each device **must** be allocated a unique hardware subaddress.

LCD row/column driver for dot matrix graphic displays

PCF8578

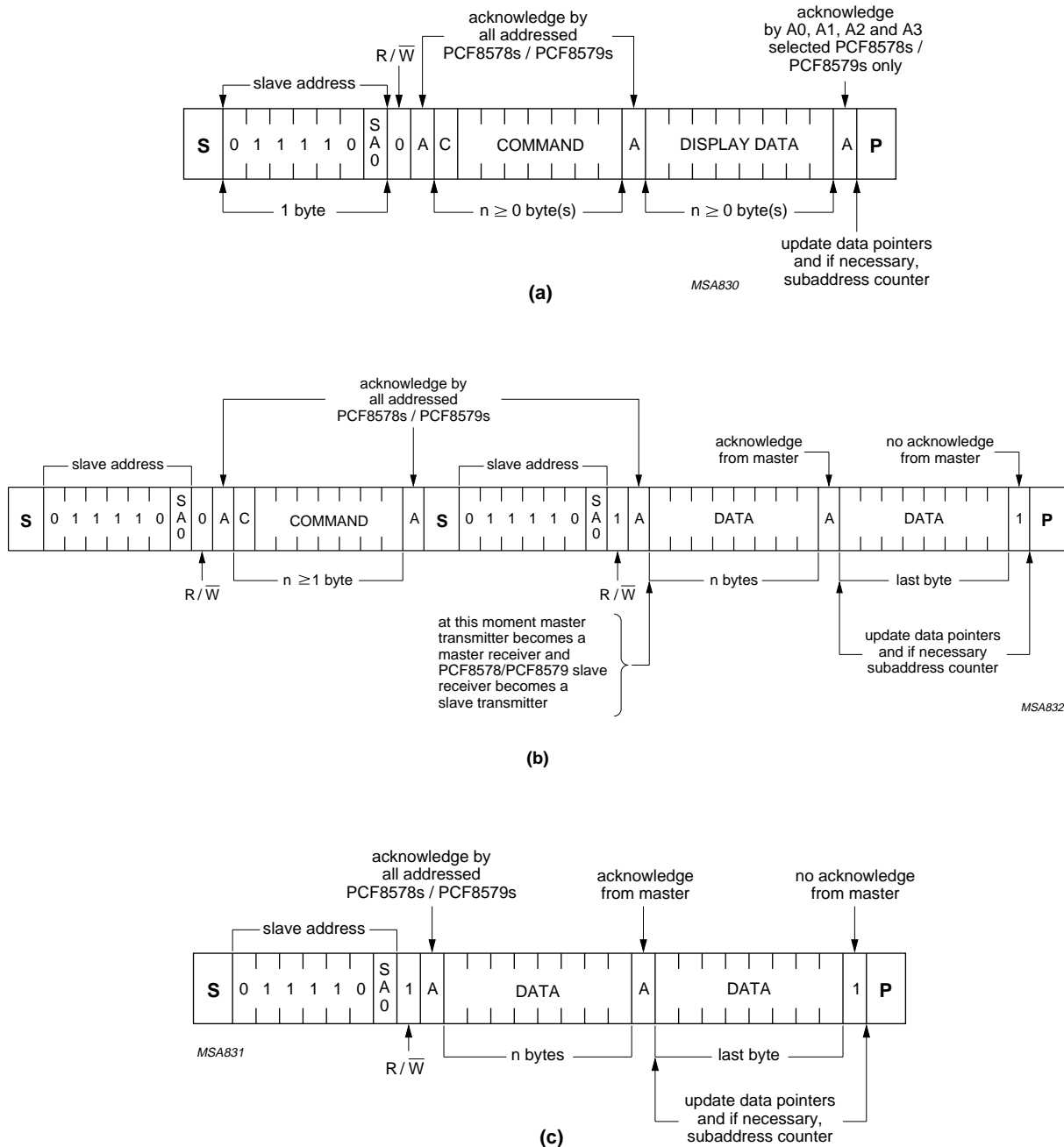


Fig.13 (a) Master transmits to slave receiver (WRITE mode); (b) Master reads after sending command string (WRITE commands; READ data); (c) Master reads slave immediately after sending slave address (READ mode).

LCD row/column driver for dot matrix graphic displays

PCF8578

8.1 Command decoder

The command decoder identifies command bytes that arrive on the I²C-bus. The most-significant bit of a command is the continuation bit C (see Fig.14). When this bit is set, it indicates that the next byte to be transferred will also be a command. If the bit is reset, it indicates the conclusion of the command transfer. Further bytes will be regarded as display data. Commands are transferred in WRITE mode only.

The five commands available to the PCF8578 are defined in Tables 5 and 6.

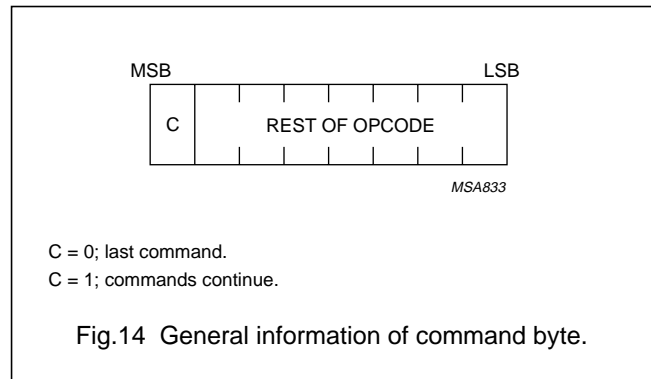


Table 5 Summary of commands

| COMMAND | OPCODE ⁽¹⁾ | | | | | | | | DESCRIPTION |
|----------------|-----------------------|---|---|---|---|---|---|---|--|
| SET MODE | C | 1 | 0 | D | D | D | D | D | multiplex rate, display status, system type |
| SET START BANK | C | 1 | 1 | 1 | 1 | 1 | D | D | defines bank at top of LCD |
| DEVICE SELECT | C | 1 | 1 | 0 | D | D | D | D | defines device subaddress |
| RAM ACCESS | C | 1 | 1 | 1 | D | D | D | D | graphic mode, bank select (D D D D ≥ 12 is not allowed; see SET START BANK opcode) |
| LOAD X-ADDRESS | C | 0 | D | D | D | D | D | D | 0 to 39 |

Note

1. C = command continuation bit. D = may be a logic 1 or 0.

LCD row/column driver for dot matrix graphic displays

PCF8578

Table 6 Definition of PCF8578/PCF8579 commands

| COMMAND | OPCODE | OPTIONS | DESCRIPTION |
|----------------|-----------------------|--------------|--|
| SET MODE | C 1 0 T E1 E0 M1 M0 | see Table 7 | defines LCD drive mode |
| | | see Table 8 | defines display status |
| | | see Table 9 | defines system type |
| SET START BANK | C 1 1 1 1 1 B1 B0 | see Table 10 | defines pointer to RAM bank corresponding to the top of the LCD; useful for scrolling, pseudo-motion and background preparation of new display |
| DEVICE SELECT | C 1 1 0 A3 A2 A1 A0 | see Table 11 | four bits of immediate data, bits A0 to A3, are transferred to the subaddress counter to define one of sixteen hardware subaddresses |
| RAM ACCESS | C 1 1 1 G1 G0 Y1 Y0 | see Table 12 | defines the auto-increment behaviour of the address for RAM access |
| | | see Table 13 | two bits of immediate data, bits Y0 to Y1, are transferred to the X-address pointer to define one of forty display RAM columns |
| LOAD X-ADDRESS | C 0 X5 X4 X3 X2 X1 X0 | see Table 14 | six bits of immediate data, bits X0 to X5, are transferred to the X-address pointer to define one of forty display RAM columns |

LCD row/column driver for dot matrix graphic displays

PCF8578

Table 7 Set mode option 1

| LCD DRIVE MODE | | BITS | |
|----------------|---------------|------|----|
| | | M1 | M0 |
| 1 : 8 | MUX (8 rows) | 0 | 1 |
| 1 : 16 | MUX (16 rows) | 1 | 0 |
| 1 : 24 | MUX (24 rows) | 1 | 1 |
| 1 : 32 | MUX (32 rows) | 0 | 0 |

Table 8 Set mode option 2

| DISPLAY STATUS | BITS | |
|-----------------|------|----|
| | E1 | E0 |
| Blank | 0 | 0 |
| Normal | 0 | 1 |
| All segments on | 1 | 0 |
| Inverse video | 1 | 1 |

Table 9 Set mode option 3

| SYSTEM TYPE | BIT T |
|--------------------|-------|
| PCF8578 row only | 0 |
| PCF8578 mixed mode | 1 |

Table 10 Set start bank option 1

| START BANK POINTER | BITS | |
|--------------------|------|----|
| | B1 | B0 |
| Bank 0 | 0 | 0 |
| Bank 1 | 0 | 1 |
| Bank 2 | 1 | 0 |
| Bank 3 | 1 | 1 |

Table 11 Device select option 1

| DESCRIPTION | BITS | | | |
|-----------------------|------|----|----|----|
| Decimal value 0 to 15 | A3 | A2 | A1 | A0 |

Table 12 RAM access option 1

| RAM ACCESS MODE | BITS | |
|----------------------|------|----|
| | G1 | G0 |
| Character | 0 | 0 |
| Half-graphic | 0 | 1 |
| Full-graphic | 1 | 0 |
| Not allowed (note 1) | 1 | 1 |

Note

1. See opcode for SET START BANK in Table 6.

Table 13 Device select option 1

| DESCRIPTION | BITS | |
|----------------------|------|----|
| Decimal value 0 to 3 | Y1 | Y0 |

Table 14 Device select option 1

| DESCRIPTION | BITS | | | | | |
|-----------------------|------|----|----|----|----|----|
| Decimal value 0 to 39 | X5 | X4 | X3 | X2 | X1 | X0 |

LCD row/column driver for dot matrix graphic displays

PCF8578

9 CHARACTERISTICS OF THE I²C-BUS

The I²C-bus is for bidirectional, two-line communication between different ICs or modules. The two lines are a serial data line (SDA) and a serial clock line (SCL) which must be connected to a positive supply via a pull-up resistor. Data transfer may be initiated only when the bus is not busy.

9.1 Bit transfer

One data bit is transferred during each clock pulse. The data on the SDA line must remain stable during the HIGH period of the clock pulse as changes in the data line at this moment will be interpreted as control signals.

9.2 Start and stop conditions

Both data and clock lines remain HIGH when the bus is not busy. A HIGH-to-LOW transition of the data line, while the clock is HIGH, is defined as the START condition (S). A LOW-to-HIGH transition of the data line while the clock is HIGH, is defined as the STOP condition (P).

9.3 System configuration

A device transmitting a message is a 'transmitter', a device receiving a message is the 'receiver'. The device that controls the message flow is the 'master' and the devices which are controlled by the master are the 'slaves'.

9.4 Acknowledge

The number of data bytes transferred between the start and stop conditions from transmitter to receiver is unlimited. Each data byte of eight bits is followed by one acknowledge bit. The acknowledge bit is a HIGH level put on the bus by the transmitter, whereas the master generates an extra acknowledge related clock pulse. A slave receiver which is addressed must generate an acknowledge after the reception of each byte. Also a master must generate an acknowledge after the reception of each byte that has been clocked out of the slave transmitter. The device that acknowledges must pull down the SDA line during the acknowledge clock pulse, so that the SDA line is stable LOW during the HIGH period of the acknowledge related clock pulse (set-up and hold times must be taken into consideration). A master receiver must signal the end of a data transmission to the transmitter by **not** generating an acknowledge on the last byte that has been clocked out of the slave. In this event the transmitter must leave the data line HIGH to enable the master to generate a stop condition.

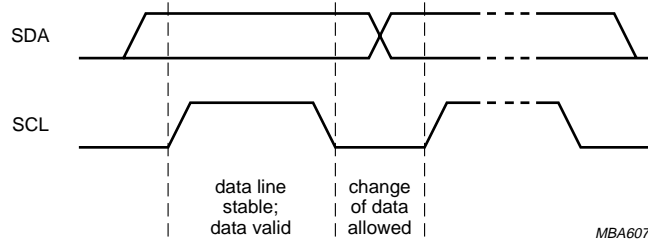
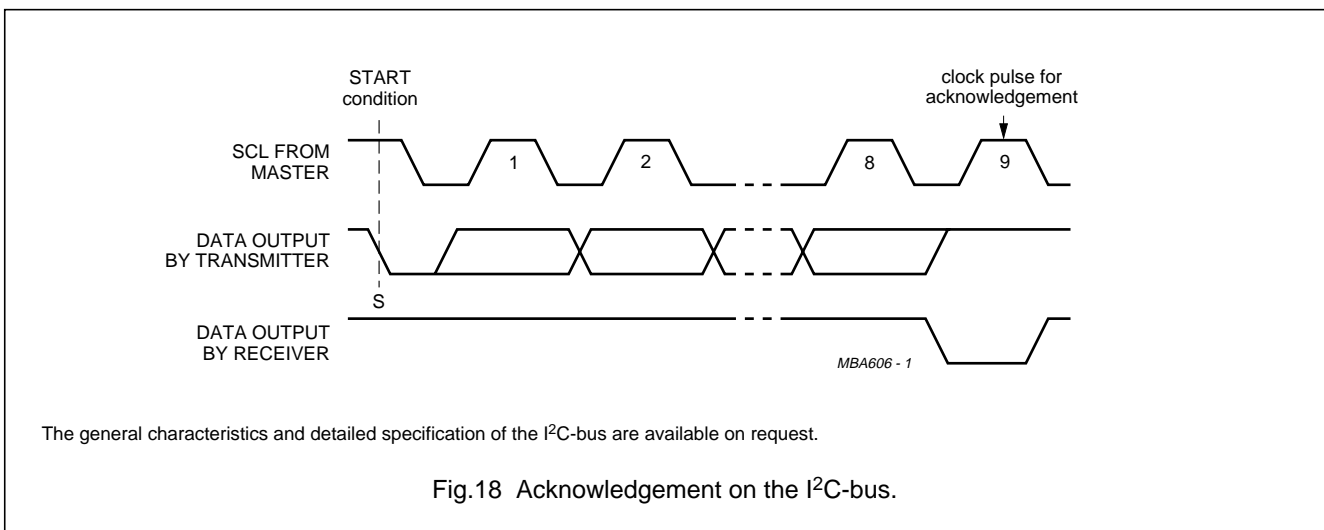
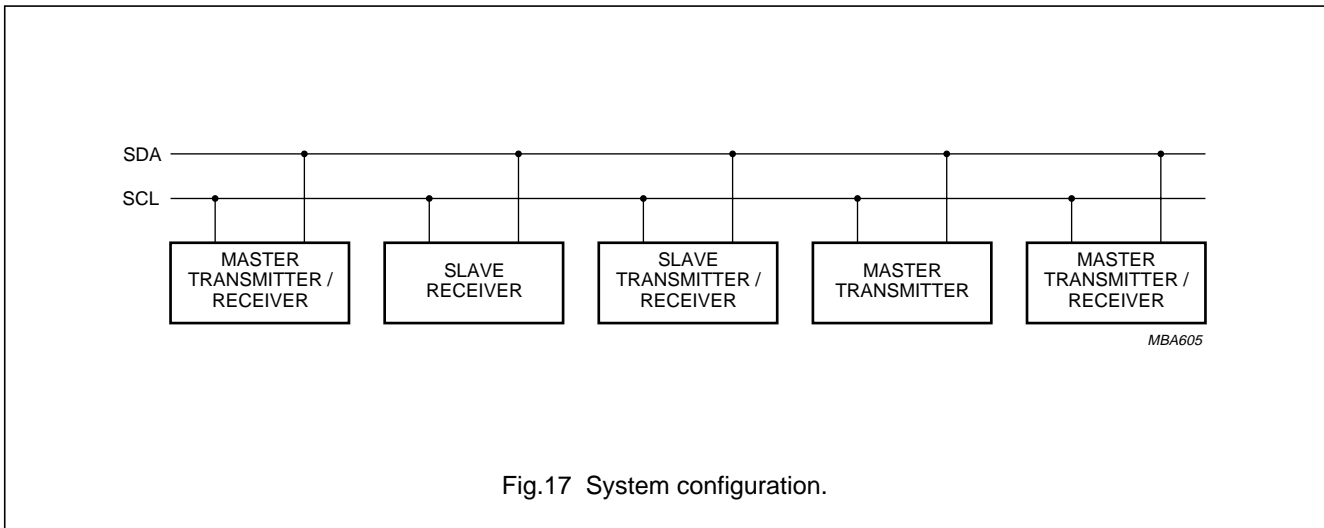
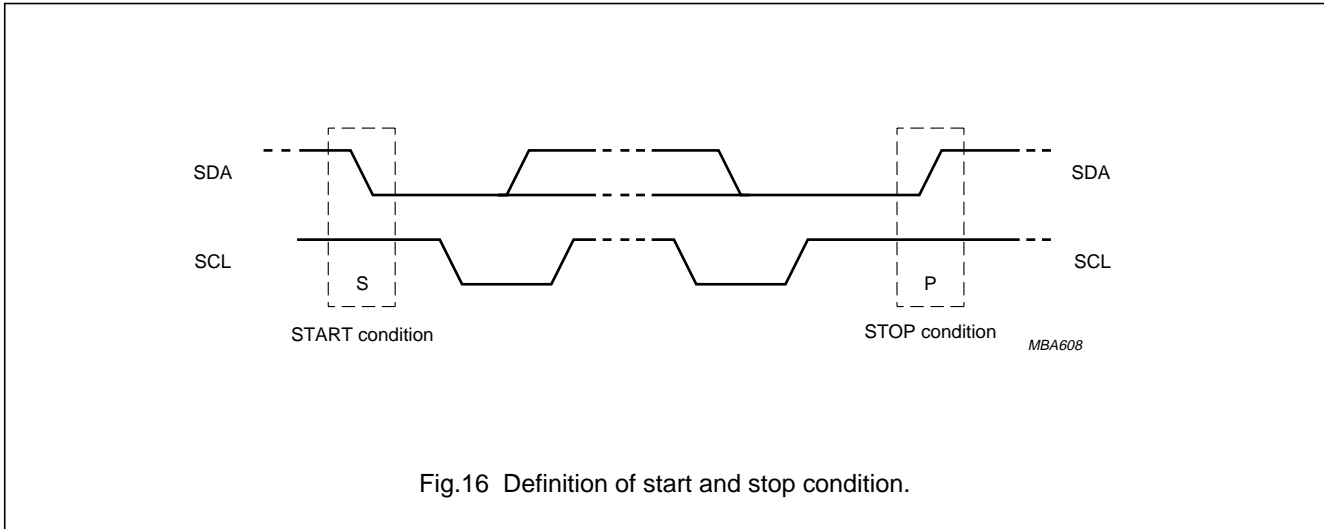


Fig.15 Bit transfer.

LCD row/column driver for dot matrix graphic displays

PCF8578



LCD row/column driver for dot matrix graphic displays

PCF8578

10 LIMITING VALUES

In accordance with the Absolute Maximum Rating System (IEC 60134).

| SYMBOL | PARAMETER | MIN. | MAX. | UNIT |
|---------------------------|--|-----------------|----------------|------|
| V_{DD} | supply voltage | -0.5 | +8.0 | V |
| V_{LCD} | LCD supply voltage | $V_{DD} - 11$ | V_{DD} | V |
| V_{I1} | input voltage SDA, SCL, CLK, TEST, SA0 and OSC | $V_{SS} - 0.5$ | $V_{DD} + 0.5$ | V |
| V_{I2} | input voltage V_2 to V_5 | $V_{LCD} - 0.5$ | $V_{DD} + 0.5$ | V |
| V_{O1} | output voltage \overline{SYNC} and CLK | $V_{SS} - 0.5$ | $V_{DD} + 0.5$ | V |
| V_{O2} | output voltage R0 to R7, R8/C8 to R31/C31 and C32 to C39 | $V_{LCD} - 0.5$ | $V_{DD} + 0.5$ | V |
| I_I | DC input current | -10 | +10 | mA |
| I_O | DC output current | -10 | +10 | mA |
| I_{DD}, I_{SS}, I_{LCD} | V_{DD}, V_{SS} or V_{LCD} current | -50 | +50 | mA |
| P_{tot} | total power dissipation per package | - | 400 | mW |
| P_o | power dissipation per output | - | 100 | mW |
| T_{stg} | storage temperature | -65 | +150 | °C |

11 HANDLING

Inputs and outputs are protected against electrostatic discharge in normal handling. However it is good practice to take normal precautions appropriate to handling MOS devices (see "Handling MOS devices").

LCD row/column driver for dot matrix graphic displays

PCF8578

12 DC CHARACTERISTICS

$V_{DD} = 2.5$ to 6 V; $V_{SS} = 0$ V; $V_{LCD} = V_{DD} - 3.5$ V to $V_{DD} - 9$ V; $T_{amb} = -40$ to $+85$ °C; unless otherwise specified.

| SYMBOL | PARAMETER | CONDITIONS | MIN. | TYP. | MAX. | UNIT |
|--------------------|---|----------------------------------|--------------|----------|----------------|------------|
| Supplies | | | | | | |
| V_{DD} | supply voltage | | 2.5 | – | 6.0 | V |
| V_{LCD} | LCD supply voltage | | $V_{DD} - 9$ | – | $V_{DD} - 3.5$ | V |
| I_{DD1} | supply current external clock | $f_{CLK} = 2$ kHz; note 1 | – | 6 | 15 | μ A |
| I_{DD2} | supply current internal clock | $R_{OSC} = 330$ k Ω | – | 20 | 50 | μ A |
| V_{POR} | power-on reset level | note 2 | 0.8 | 1.3 | 1.8 | V |
| Logic | | | | | | |
| V_{IL} | LOW level input voltage | | V_{SS} | – | $0.3V_{DD}$ | V |
| V_{IH} | HIGH level input voltage | | $0.7V_{DD}$ | – | V_{DD} | V |
| I_{OL1} | LOW level output current at \overline{SYNC} and CLK | $V_{OL} = 1$ V; $V_{DD} = 5$ V | 1 | – | – | mA |
| I_{OH1} | HIGH level output current at \overline{SYNC} and CLK | $V_{OH} = 4$ V; $V_{DD} = 5$ V | – | – | –1 | mA |
| I_{OL2} | LOW level output current at SDA | $V_{OL} = 0.4$ V; $V_{DD} = 5$ V | 3 | – | – | mA |
| I_{L1} | leakage current at SDA, SCL, \overline{SYNC} , CLK, TEST and SA0 | $V_i = V_{DD}$ or V_{SS} | – | – | +1 | mA |
| I_{L2} | leakage current at OSC | $V_i = V_{DD}$ | – | – | +1 | μ A |
| C_i | input capacitance at SCL and SDA | note 3 | – | – | 5 | pF |
| LCD outputs | | | | | | |
| I_{L3} | leakage current at V_2 to V_5 | $V_i = V_{DD}$ or V_{LCD} | –2 | – | +2 | μ A |
| V_{DC} | DC component of LCD drivers R0 to R7, R8/C8 to R31/C31 and C32 to C39 | | – | ± 20 | – | mV |
| R_{ROW} | output resistance R0 to R7 and R8/C8 to R31/C31 | row mode; note 4 | – | 1.5 | 3 | k Ω |
| R_{COL} | output resistance R8/C8 to R31/C31 and C32 to C39 | column mode; note 4 | – | 3 | 6 | k Ω |

Notes

- Outputs are open; inputs at V_{DD} or V_{SS} ; I²C-bus inactive; external clock with 50% duty factor.
- Resets all logic when $V_{DD} < V_{POR}$.
- Periodically sampled; not 100% tested.
- Resistance measured between output terminal (R0 to R7, R8/C8 to R31/C31 and C32 to C39) and bias input (V_2 to V_5 , V_{DD} and V_{LCD}) when the specified current flows through one output under the following conditions (see Table 2):
 - $V_{op} = V_{DD} - V_{LCD} = 9$ V.
 - Row mode, R0 to R7 and R8/C8 to R31/C31: $V_2 - V_{LCD} \geq 6.65$ V; $V_5 - V_{LCD} \leq 2.35$ V; $I_{LOAD} = 150$ μ A.
 - Column mode, R8/C8 to R31/C31 and C32 to C39: $V_3 - V_{LCD} \geq 4.70$ V; $V_4 - V_{LCD} \leq 4.30$ V; $I_{LOAD} = 100$ μ A.

LCD row/column driver for dot matrix graphic displays

PCF8578

13 AC CHARACTERISTICS

All timing values are referenced to V_{IH} and V_{IL} levels with an input voltage swing of V_{SS} to V_{DD} . $V_{DD} = 2.5$ to 6 V; $V_{SS} = 0$ V; $V_{LCD} = V_{DD} - 3.5$ V to $V_{DD} - 9$ V; $T_{amb} = -40$ to $+85$ °C; unless otherwise specified.

| SYMBOL | PARAMETER | CONDITIONS | MIN. | TYP. | MAX. | UNIT |
|---------------------------|--|---|------|------|------|---------|
| f_{CLK1} | clock frequency at multiplex rates of 1 : 8, 1 : 16 and 1 : 32 | $R_{OSC} = 330$ k Ω ; $V_{DD} = 6$ V | 1.2 | 2.1 | 3.3 | kHz |
| f_{CLK2} | clock frequency at multiplex rates of 1 : 24 | $R_{OSC} = 330$ k Ω ; $V_{DD} = 6$ V | 0.9 | 1.6 | 2.5 | kHz |
| t_{PSYNC} | \overline{SYNC} propagation delay | | – | – | 500 | ns |
| t_{PLCD} | driver delays | $V_{DD} - V_{LCD} = 9$ V; with test loads | – | – | 100 | μ s |
| I²C-bus | | | | | | |
| f_{SCL} | SCL clock frequency | | – | – | 100 | kHz |
| t_{SW} | tolerable spike width on bus | | – | – | 100 | ns |
| t_{BUF} | bus free time | | 4.7 | – | – | μ s |
| $t_{SU;STA}$ | start condition set-up time | repeated start codes only | 4.7 | – | – | μ s |
| $t_{HD;STA}$ | start condition hold time | | 4.0 | 4.0 | – | μ s |
| t_{LOW} | SCL LOW time | | 4.7 | – | – | μ s |
| t_{HIGH} | SCL HIGH time | | 4.0 | – | – | μ s |
| t_r | SCL and SDA rise time | | – | – | 1 | μ s |
| t_f | SCL and SDA fall time | | – | – | 0.3 | μ s |
| $t_{SU;DAT}$ | data set-up time | | 250 | – | – | ns |
| $t_{HD;DAT}$ | data hold time | | 0 | – | – | ns |
| $t_{SU;STO}$ | stop condition set-up time | | 4.0 | – | – | μ s |

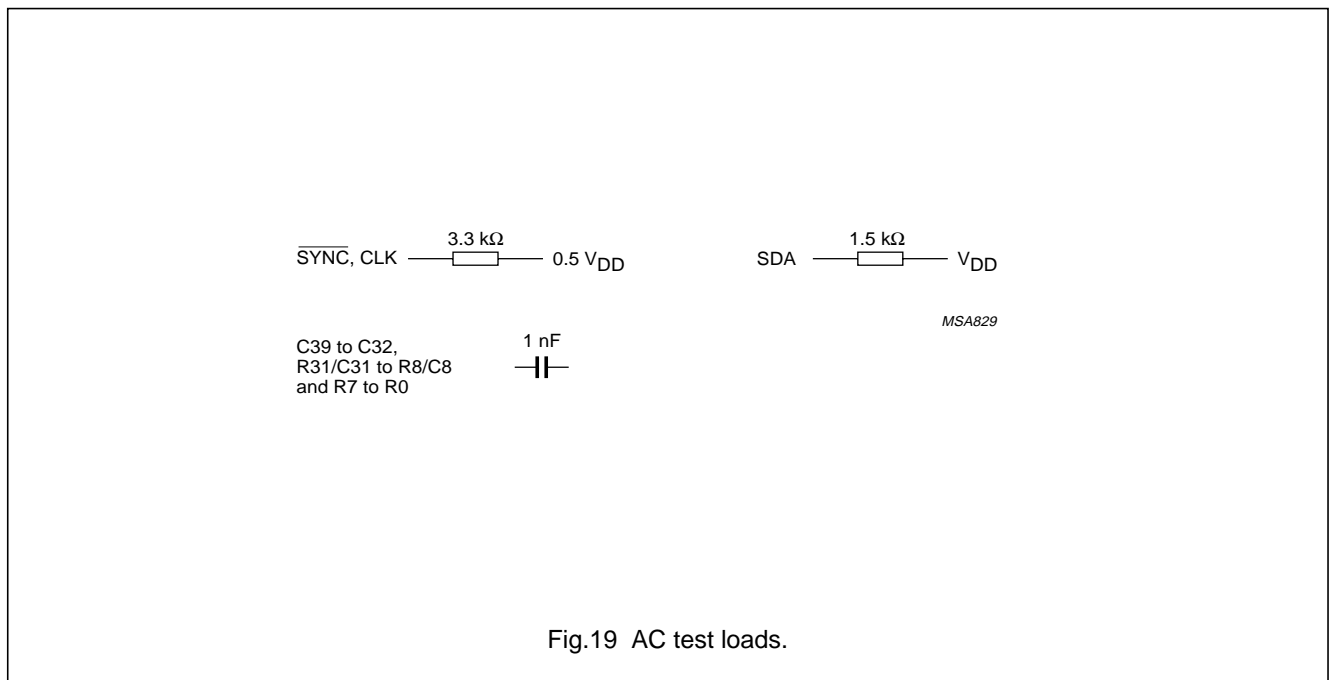


Fig.19 AC test loads.

LCD row/column driver for dot matrix graphic displays

PCF8578

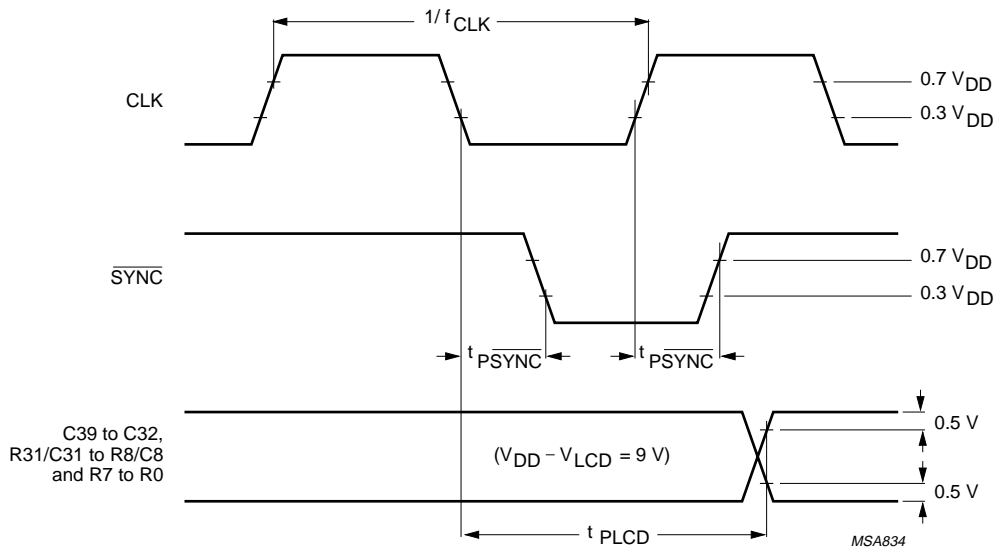


Fig.20 Driver timing waveforms.

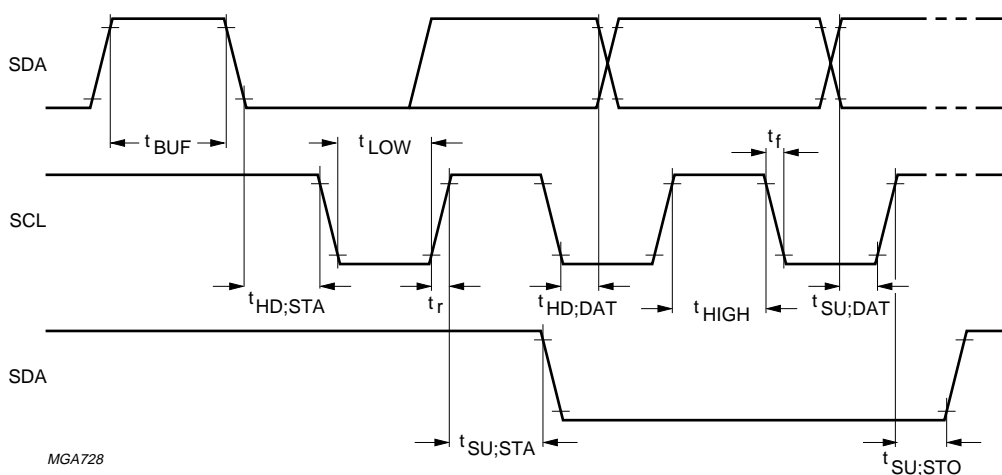


Fig.21 I²C-bus timing waveforms.

LCD row/column driver for dot matrix graphic displays

PCF8578

14 APPLICATION INFORMATION

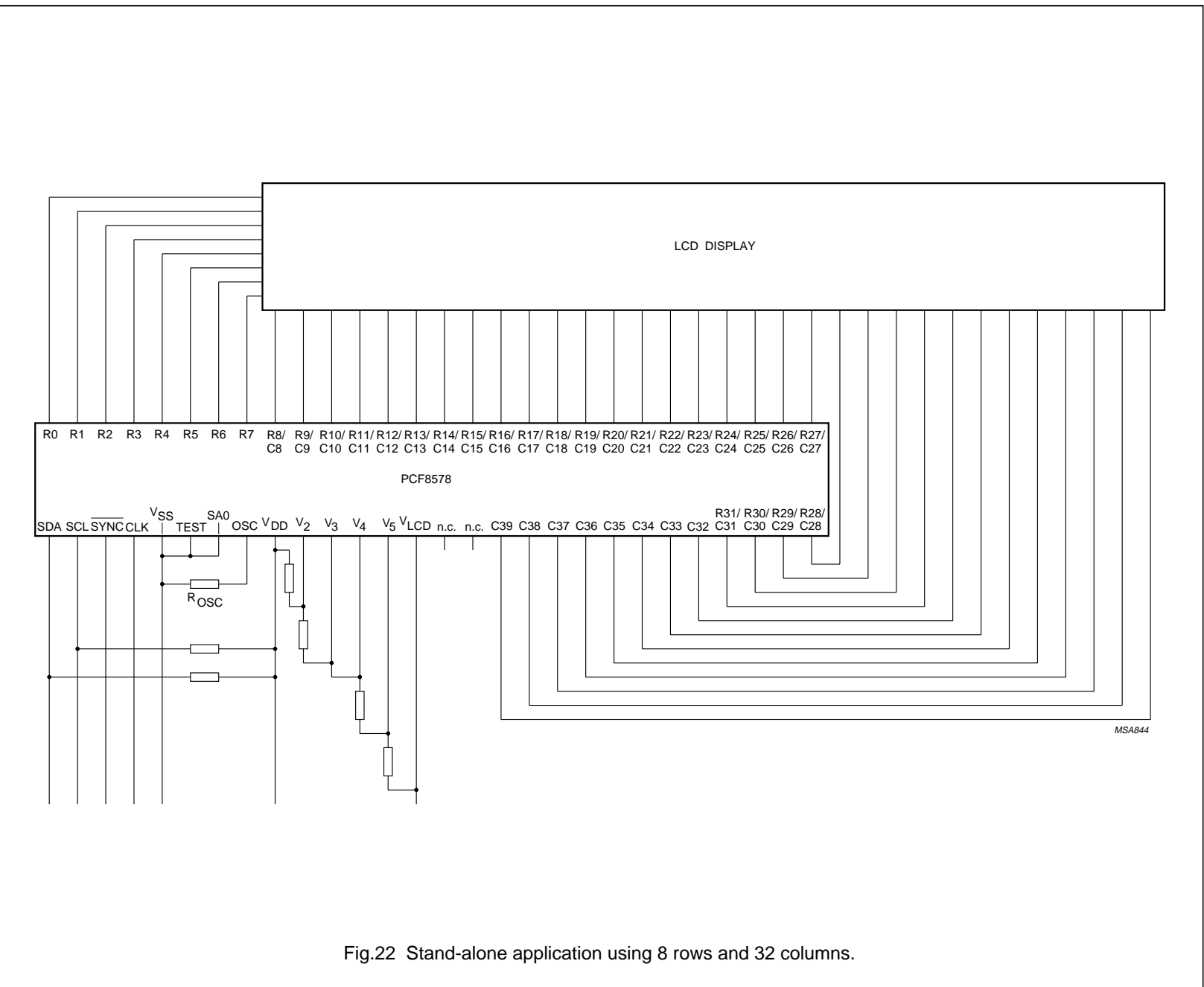
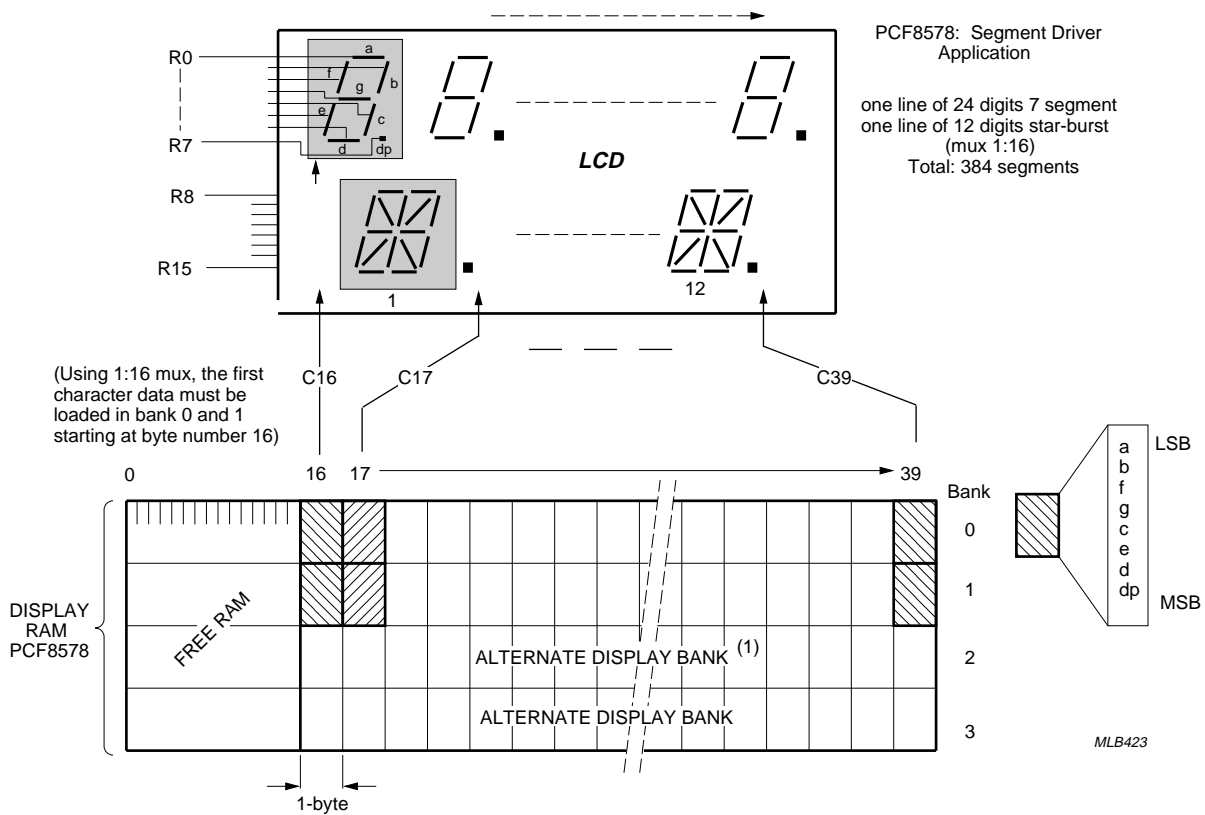


Fig.22 Stand-alone application using 8 rows and 32 columns.

LCD row/column driver for dot matrix graphic displays

PCF8578



(1) Can be used for creating blinking characters.

Fig.23 Segment driver application for up to 384 segments.

LCD row/column driver for dot matrix graphic displays

PCF8578

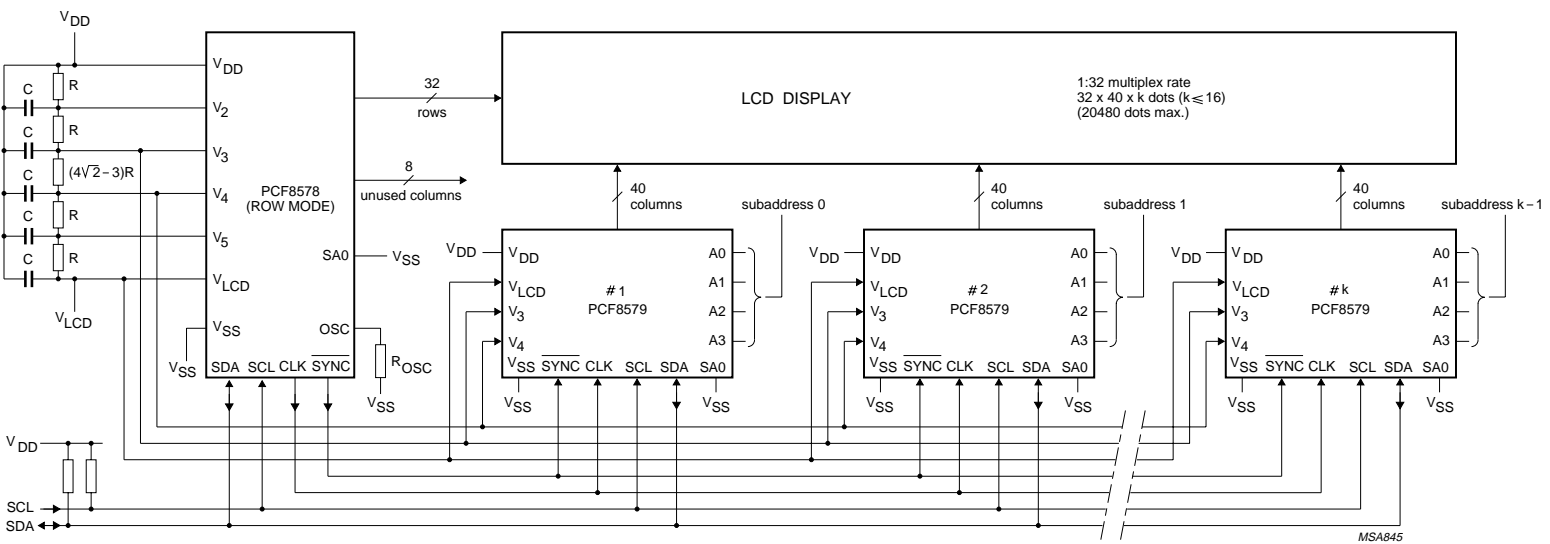


Fig.24 Typical LCD driver system with 1 : 32 multiplex rate.

MSA845

LCD row/column driver for dot matrix graphic displays

PCF8578

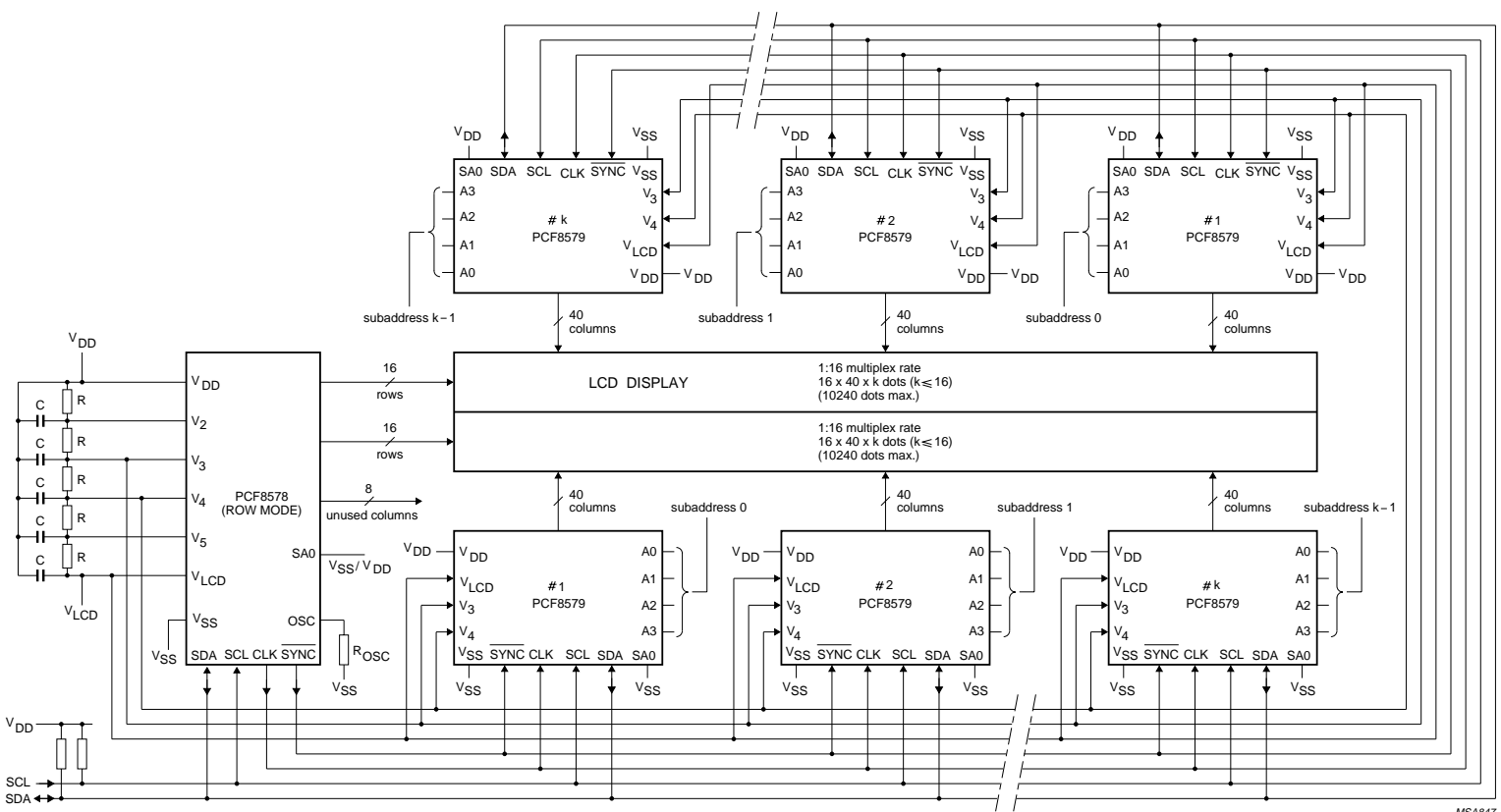


Fig.25 Split screen application with 1 : 16 multiplex rate for improved contrast.

MSA847

LCD row/column driver for dot matrix graphic displays

PCF8578

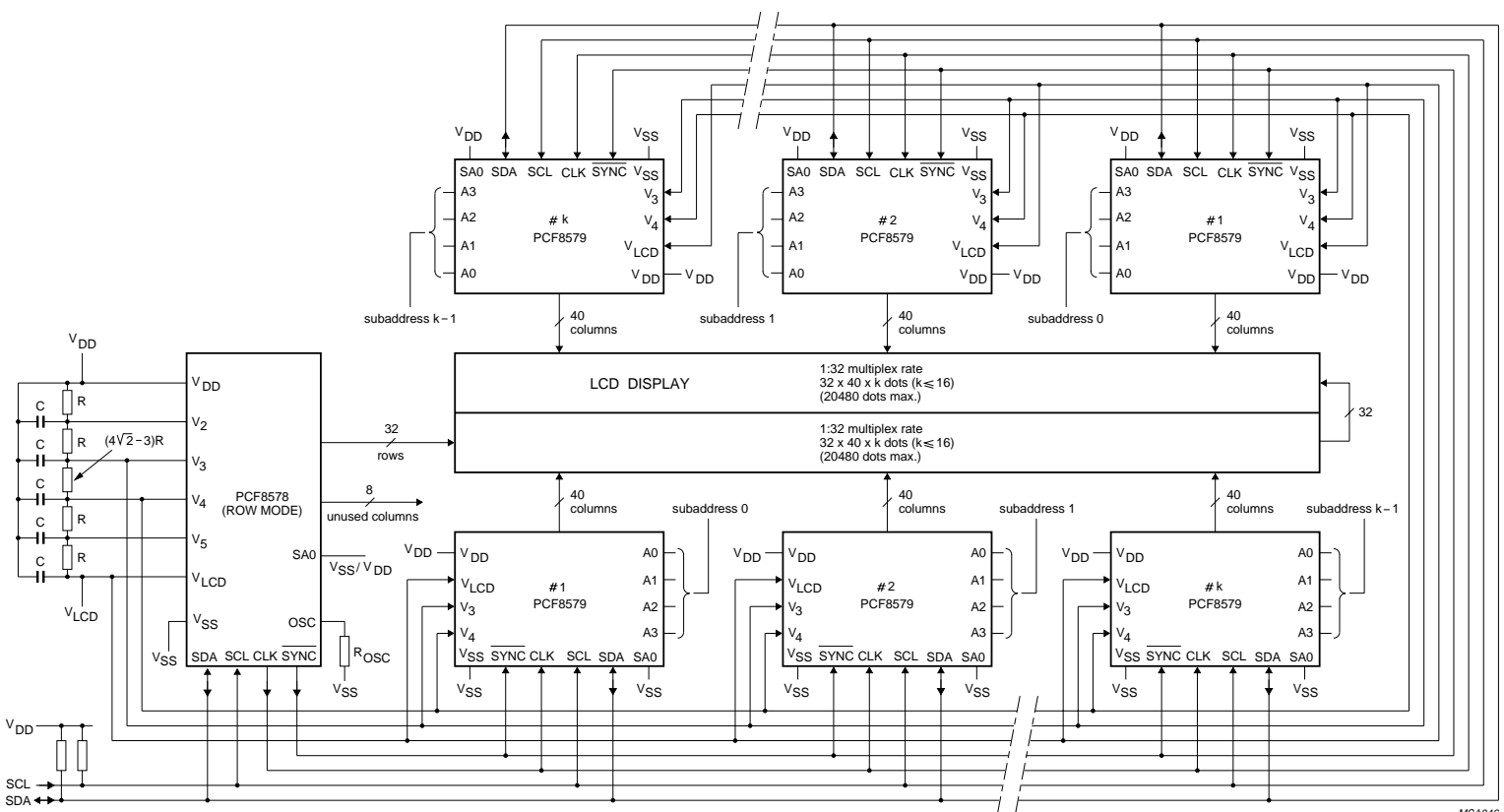
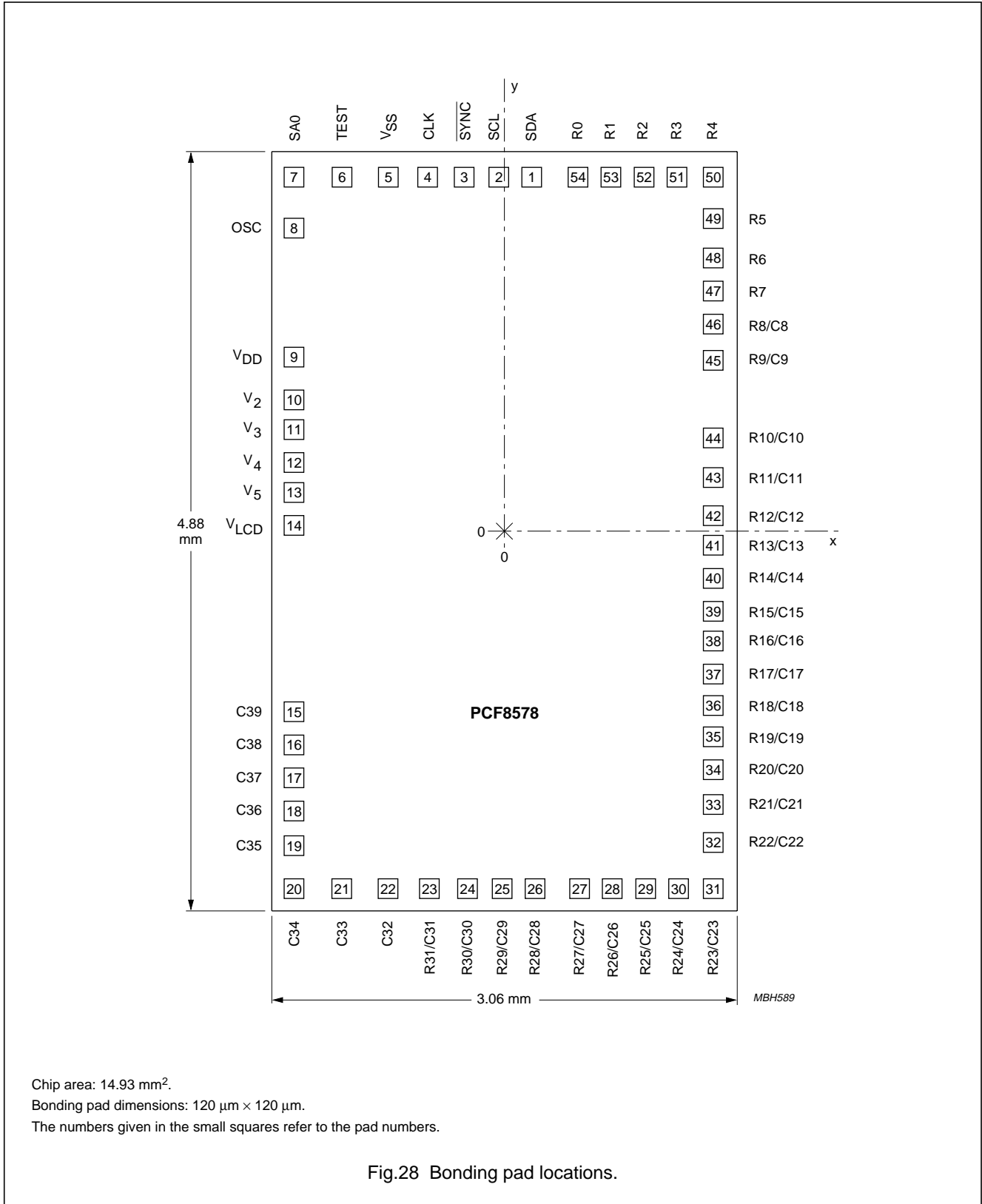


Fig.26 Split screen application with 1 : 32 multiplex rate.

LCD row/column driver for dot matrix graphic displays

PCF8578

15 CHIP DIMENSIONS AND BONDING PAD LOCATIONS



Chip area: 14.93 mm².
 Bonding pad dimensions: 120 μm × 120 μm.
 The numbers given in the small squares refer to the pad numbers.

Fig.28 Bonding pad locations.

LCD row/column driver for dot matrix graphic displays

PCF8578

Table 15 Bonding pad locations (dimensions in μm); all x/y coordinates are referenced to centre of chip, see Fig.28

| PAD NUMBER | SYMBOL | x | y | PINS | |
|------------|------------------|-------|-------|-------|--------|
| | | | | VSO56 | LQFP64 |
| 1 | SDA | 174 | 2241 | 1 | 7 |
| 2 | SCL | -30 | 2241 | 2 | 8 |
| 3 | SYNC | -234 | 2241 | 3 | 9 |
| 4 | CLK | -468 | 2241 | 4 | 10 |
| 5 | V _{SS} | -726 | 2241 | 5 | 11 |
| 6 | TEST | -1014 | 2241 | 6 | 12 |
| 7 | SA0 | -1308 | 2241 | 7 | 13 |
| 8 | OSC | -1308 | 1917 | 8 | 16 |
| 9 | V _{DD} | -1308 | 1113 | 9 | 20 |
| 10 | V ₂ | -1308 | 873 | 10 | 21 |
| 11 | V ₃ | -1308 | 663 | 11 | 22 |
| 12 | V ₄ | -1308 | 459 | 12 | 23 |
| 13 | V ₅ | -1308 | 255 | 13 | 24 |
| 14 | V _{LCD} | -1308 | 51 | 14 | 25 |
| 15 | C39 | -1308 | -1149 | 17 | 29 |
| 16 | C38 | -1308 | -1353 | 18 | 30 |
| 17 | C37 | -1308 | -1557 | 19 | 31 |
| 18 | C36 | -1308 | -1773 | 20 | 32 |
| 19 | C35 | -1308 | -1995 | 21 | 33 |
| 20 | C34 | -1308 | -2241 | 22 | 34 |
| 21 | C33 | -1014 | -2241 | 23 | 35 |
| 22 | C32 | -726 | -2241 | 24 | 37 |
| 23 | R31/C31 | -468 | -2241 | 25 | 38 |
| 24 | R30/C30 | -234 | -2241 | 26 | 39 |
| 25 | R29/C29 | -30 | -2241 | 27 | 40 |
| 26 | R28/C28 | 174 | -2241 | 28 | 41 |
| 27 | R27/C27 | 468 | -2241 | 29 | 42 |
| 28 | R26/C26 | 672 | -2241 | 30 | 43 |
| 29 | R25/C25 | 876 | -2241 | 31 | 44 |
| 30 | R24/C24 | 1080 | -2241 | 32 | 45 |
| 31 | R23/C23 | 1308 | -2241 | 33 | 46 |
| 32 | R22/C22 | 1308 | -1977 | 34 | 48 |
| 33 | R21/C21 | 1308 | -1731 | 35 | 49 |
| 34 | R20/C20 | 1308 | -1515 | 36 | 50 |
| 35 | R19/C19 | 1308 | -1305 | 37 | 51 |
| 36 | R18/C18 | 1308 | -1101 | 38 | 52 |
| 37 | R17/C17 | 1308 | -897 | 39 | 53 |
| 38 | R16/C16 | 1308 | -693 | 40 | 54 |

LCD row/column driver for dot matrix graphic displays

PCF8578

| PAD NUMBER | SYMBOL | x | y | PINS | |
|------------|---------|------|------|--------|---------------------------------------|
| | | | | VSO56 | LQFP64 |
| 39 | R15/C15 | 1308 | -489 | 41 | 55 |
| 40 | R14/C14 | 1308 | -285 | 42 | 56 |
| 41 | R13/C13 | 1308 | -81 | 43 | 57 |
| 42 | R12/C12 | 1308 | 123 | 44 | 58 |
| 43 | R11/C11 | 1308 | 351 | 45 | 59 |
| 44 | R10/C10 | 1308 | 603 | 46 | 60 |
| 45 | R9/C9 | 1308 | 1101 | 47 | 61 |
| 46 | R8/C8 | 1308 | 1305 | 48 | 62 |
| 47 | R7 | 1308 | 1515 | 49 | 63 |
| 48 | R6 | 1308 | 1731 | 50 | 64 |
| 49 | R5 | 1308 | 1977 | 51 | 1 |
| 50 | R4 | 1308 | 2241 | 52 | 2 |
| 51 | R3 | 1080 | 2241 | 53 | 3 |
| 52 | R2 | 876 | 2241 | 54 | 4 |
| 53 | R1 | 672 | 2241 | 55 | 5 |
| 54 | R0 | 468 | 2241 | 56 | 6 |
| - | n.c. | - | - | 15, 16 | 14, 15, 17 to 19, 26 to 28, 36, 47 |

LCD row/column driver for dot matrix graphic displays

PCF8578

16 CHIP-ON-GLASS INFORMATION

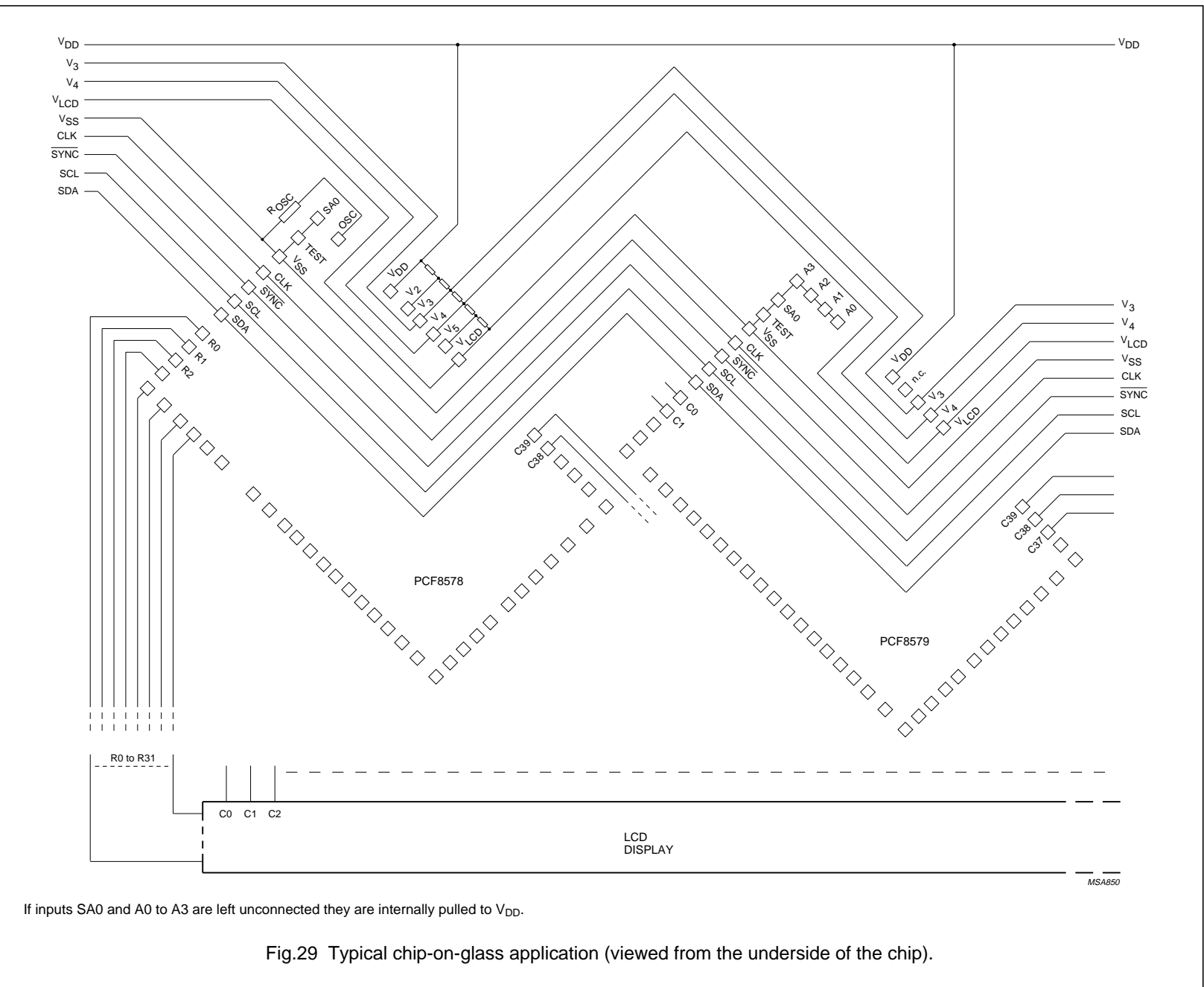


Fig.29 Typical chip-on-glass application (viewed from the underside of the chip).

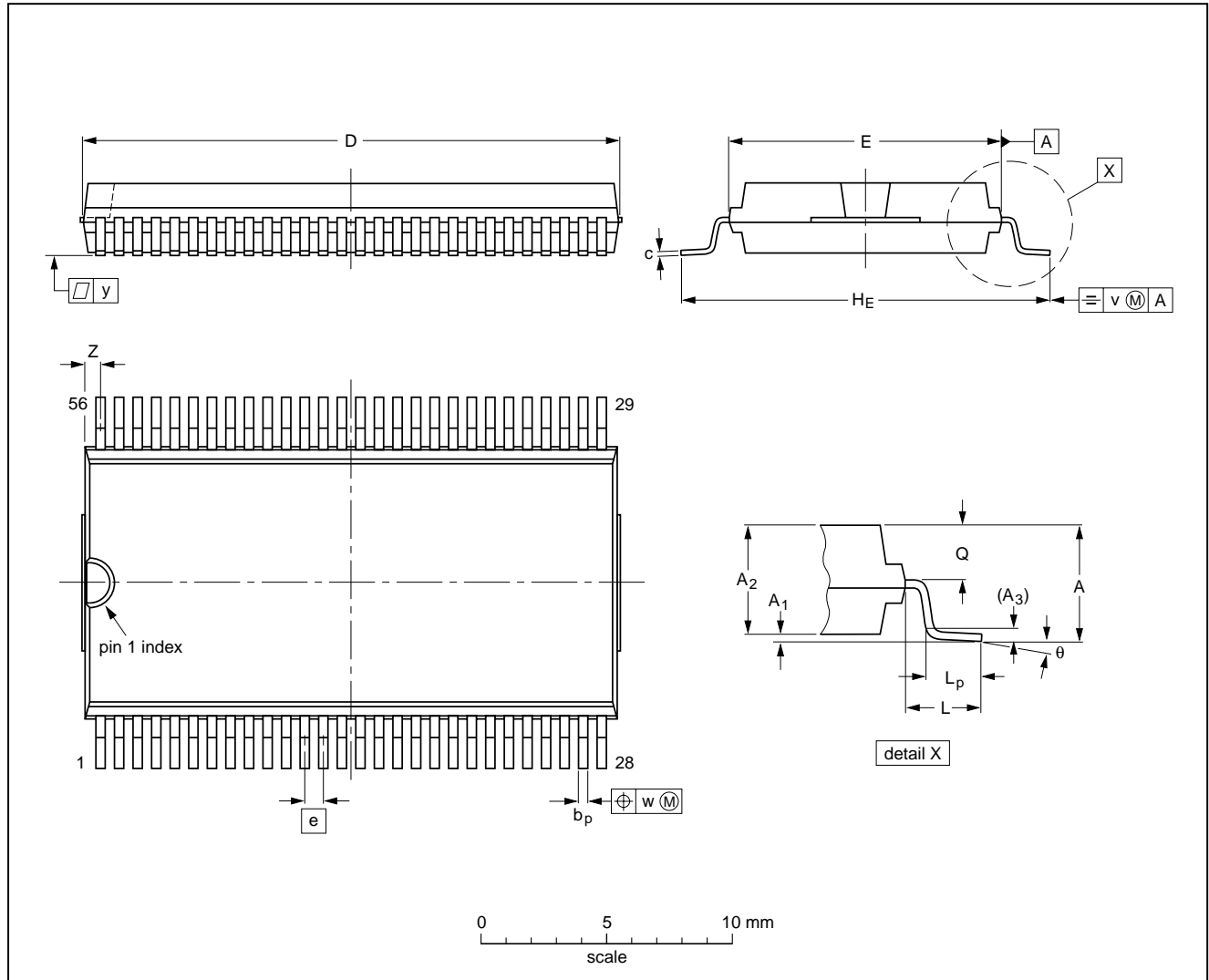
LCD row/column driver for dot matrix graphic displays

PCF8578

17 PACKAGE OUTLINES

VSO56: plastic very small outline package; 56 leads

SOT190-1



DIMENSIONS (inch dimensions are derived from the original mm dimensions)

| UNIT | A max. | A ₁ | A ₂ | A ₃ | b _p | c | D ⁽¹⁾ | E ⁽²⁾ | e | H _E | L | L _p | Q | v | w | y | z ⁽¹⁾ | θ |
|--------|--------|----------------|----------------|----------------|----------------|------------------|------------------|------------------|--------|----------------|-------|----------------|----------------|-------|-------|-------|------------------|----------|
| mm | 3.3 | 0.3 0.1 | 3.0 2.8 | 0.25 | 0.42 0.30 | 0.22 0.14 | 21.65 21.35 | 11.1 11.0 | 0.75 | 15.8 15.2 | 2.25 | 1.6 1.4 | 1.45 1.30 | 0.2 | 0.1 | 0.1 | 0.90 0.55 | 7° 0° |
| inches | 0.13 | 0.012 0.004 | 0.12 0.11 | 0.01 | 0.017 0.012 | 0.0087 0.0055 | 0.85 0.84 | 0.44 0.43 | 0.0295 | 0.62 0.60 | 0.089 | 0.063 0.055 | 0.057 0.051 | 0.008 | 0.004 | 0.004 | 0.035 0.022 | |

Notes

1. Plastic or metal protrusions of 0.3 mm (0.012 inch) maximum per side are not included.
2. Plastic interlead protrusions of 0.25 mm (0.01 inch) maximum per side are not included.

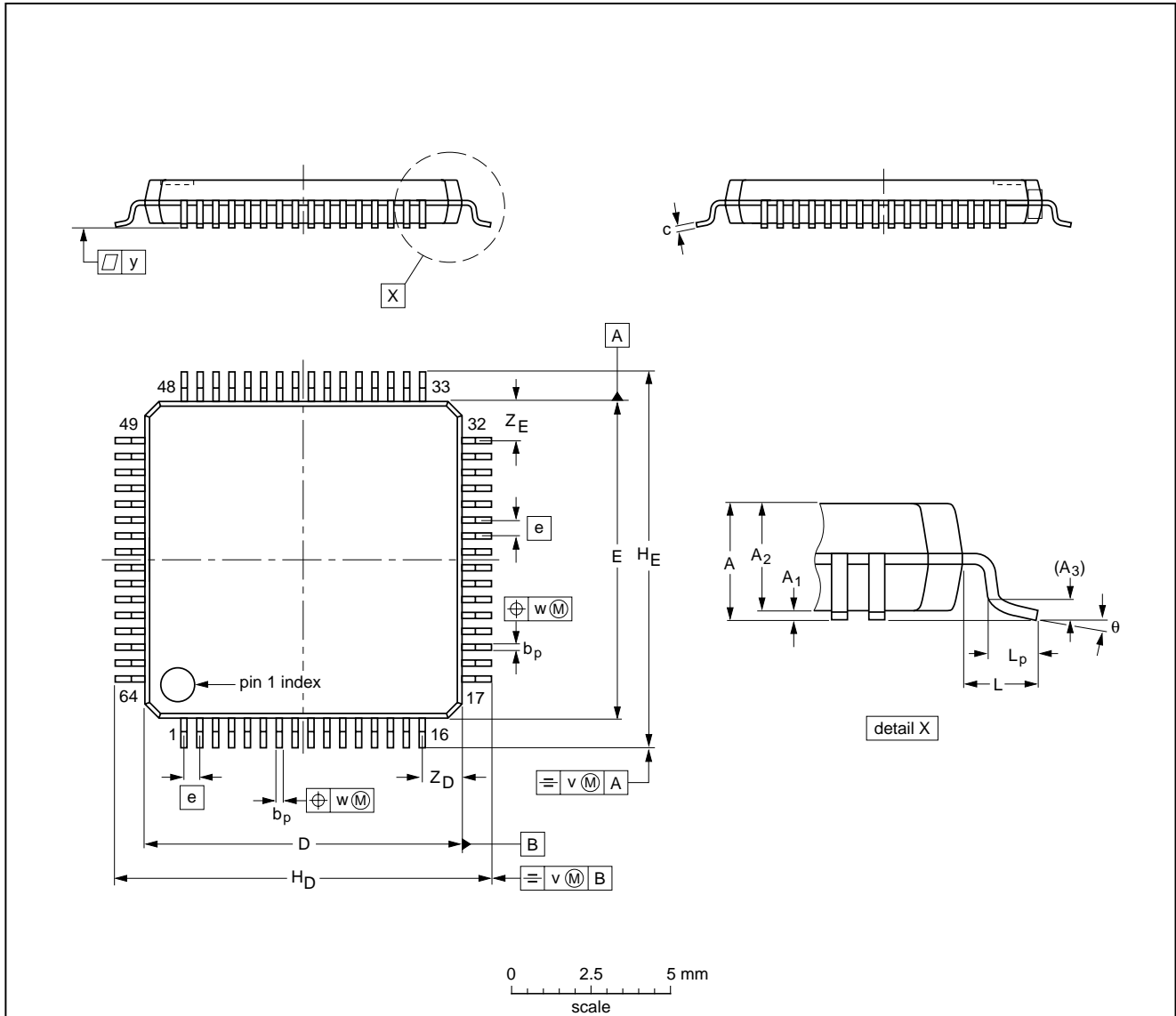
| OUTLINE VERSION | REFERENCES | | | | EUROPEAN PROJECTION | ISSUE DATE |
|-----------------|------------|-------|-------|--|---------------------|----------------------|
| | IEC | JEDEC | JEITA | | | |
| SOT190-1 | | | | | | 97-08-11 03-02-19 |

LCD row/column driver for dot matrix graphic displays

PCF8578

LQFP64: plastic low profile quad flat package; 64 leads; body 10 x 10 x 1.4 mm

SOT314-2



DIMENSIONS (mm are the original dimensions)

| UNIT | A max. | A ₁ | A ₂ | A ₃ | b _p | c | D ⁽¹⁾ | E ⁽¹⁾ | e | H _D | H _E | L | L _p | v | w | y | Z _D ⁽¹⁾ | Z _E ⁽¹⁾ | θ |
|------|--------|----------------|----------------|----------------|----------------|--------------|------------------|------------------|-----|----------------|----------------|---|----------------|-----|------|-----|-------------------------------|-------------------------------|----------|
| mm | 1.6 | 0.20 0.05 | 1.45 1.35 | 0.25 | 0.27 0.17 | 0.18 0.12 | 10.1 9.9 | 10.1 9.9 | 0.5 | 12.15 11.85 | 12.15 11.85 | 1 | 0.75 0.45 | 0.2 | 0.12 | 0.1 | 1.45 1.05 | 1.45 1.05 | 7° 0° |

Note

1. Plastic or metal protrusions of 0.25 mm maximum per side are not included.

| OUTLINE VERSION | REFERENCES | | | | EUROPEAN PROJECTION | ISSUE DATE |
|-----------------|------------|--------|-------|--|---------------------|----------------------|
| | IEC | JEDEC | JEITA | | | |
| SOT314-2 | 136E10 | MS-026 | | | | 00-01-19 03-02-25 |

LCD row/column driver for dot matrix graphic displays

PCF8578

18 SOLDERING

18.1 Introduction to soldering surface mount packages

This text gives a very brief insight to a complex technology. A more in-depth account of soldering ICs can be found in our "Data Handbook IC26; Integrated Circuit Packages" (document order number 9398 652 90011).

There is no soldering method that is ideal for all surface mount IC packages. Wave soldering can still be used for certain surface mount ICs, but it is not suitable for fine pitch SMDs. In these situations reflow soldering is recommended.

18.2 Reflow soldering

Reflow soldering requires solder paste (a suspension of fine solder particles, flux and binding agent) to be applied to the printed-circuit board by screen printing, stencilling or pressure-syringe dispensing before package placement.

Several methods exist for reflowing; for example, convection or convection/infrared heating in a conveyor type oven. Throughput times (preheating, soldering and cooling) vary between 100 and 200 seconds depending on heating method.

Typical reflow peak temperatures range from 215 to 250 °C. The top-surface temperature of the packages should preferably be kept:

- below 220 °C for all the BGA packages and packages with a thickness ≥ 2.5 mm and packages with a thickness < 2.5 mm and a volume ≥ 350 mm³ so called thick/large packages
- below 235 °C for packages with a thickness < 2.5 mm and a volume < 350 mm³ so called small/thin packages.

18.3 Wave soldering

Conventional single wave soldering is not recommended for surface mount devices (SMDs) or printed-circuit boards with a high component density, as solder bridging and non-wetting can present major problems.

To overcome these problems the double-wave soldering method was specifically developed.

If wave soldering is used the following conditions must be observed for optimal results:

- Use a double-wave soldering method comprising a turbulent wave with high upward pressure followed by a smooth laminar wave.
- For packages with leads on two sides and a pitch (e):
 - larger than or equal to 1.27 mm, the footprint longitudinal axis is **preferred** to be parallel to the transport direction of the printed-circuit board;
 - smaller than 1.27 mm, the footprint longitudinal axis **must** be parallel to the transport direction of the printed-circuit board.

The footprint must incorporate solder thieves at the downstream end.

- For packages with leads on four sides, the footprint must be placed at a 45° angle to the transport direction of the printed-circuit board. The footprint must incorporate solder thieves downstream and at the side corners.

During placement and before soldering, the package must be fixed with a droplet of adhesive. The adhesive can be applied by screen printing, pin transfer or syringe dispensing. The package can be soldered after the adhesive is cured.

Typical dwell time is 4 seconds at 250 °C.

A mildly-activated flux will eliminate the need for removal of corrosive residues in most applications.

18.4 Manual soldering

Fix the component by first soldering two diagonally-opposite end leads. Use a low voltage (24 V or less) soldering iron applied to the flat part of the lead. Contact time must be limited to 10 seconds at up to 300 °C.

When using a dedicated tool, all other leads can be soldered in one operation within 2 to 5 seconds between 270 and 320 °C.

LCD row/column driver for dot matrix graphic displays

PCF8578

18.5 Suitability of surface mount IC packages for wave and reflow soldering methods

| PACKAGE ⁽¹⁾ | SOLDERING METHOD | |
|--|-----------------------------------|-----------------------|
| | WAVE | REFLOW ⁽²⁾ |
| BGA, LBGA, LFBGA, SQFP, TFBGA, VFBGA | not suitable | suitable |
| DHVQFN, HBCC, HBGA, HLQFP, HSQFP, HSOP, HTQFP, HTSSOP, HVQFN, HVSON, SMS | not suitable ⁽³⁾ | suitable |
| PLCC ⁽⁴⁾ , SO, SOJ | suitable | suitable |
| LQFP, QFP, TQFP | not recommended ⁽⁴⁾⁽⁵⁾ | suitable |
| SSOP, TSSOP, VSO, VSSOP | not recommended ⁽⁶⁾ | suitable |

Notes

- For more detailed information on the BGA packages refer to the “(LF)BGA Application Note” (AN01026); order a copy from your Philips Semiconductors sales office.
- All surface mount (SMD) packages are moisture sensitive. Depending upon the moisture content, the maximum temperature (with respect to time) and body size of the package, there is a risk that internal or external package cracks may occur due to vaporization of the moisture in them (the so called popcorn effect). For details, refer to the Drypack information in the “Data Handbook IC26; Integrated Circuit Packages; Section: Packing Methods”.
- These packages are not suitable for wave soldering. On versions with the heatsink on the bottom side, the solder cannot penetrate between the printed-circuit board and the heatsink. On versions with the heatsink on the top side, the solder might be deposited on the heatsink surface.
- If wave soldering is considered, then the package must be placed at a 45° angle to the solder wave direction. The package footprint must incorporate solder thieves downstream and at the side corners.
- Wave soldering is suitable for LQFP, TQFP and QFP packages with a pitch (e) larger than 0.8 mm; it is definitely not suitable for packages with a pitch (e) equal to or smaller than 0.65 mm.
- Wave soldering is suitable for SSOP, TSSOP, VSO and VSSOP packages with a pitch (e) equal to or larger than 0.65 mm; it is definitely not suitable for packages with a pitch (e) equal to or smaller than 0.5 mm.

LCD row/column driver for dot matrix graphic displays

PCF8578

19 DATA SHEET STATUS

| LEVEL | DATA SHEET STATUS ⁽¹⁾ | PRODUCT STATUS ⁽²⁾⁽³⁾ | DEFINITION |
|-------|----------------------------------|----------------------------------|--|
| I | Objective data | Development | This data sheet contains data from the objective specification for product development. Philips Semiconductors reserves the right to change the specification in any manner without notice. |
| II | Preliminary data | Qualification | This data sheet contains data from the preliminary specification. Supplementary data will be published at a later date. Philips Semiconductors reserves the right to change the specification without notice, in order to improve the design and supply the best possible product. |
| III | Product data | Production | This data sheet contains data from the product specification. Philips Semiconductors reserves the right to make changes at any time in order to improve the design, manufacturing and supply. Relevant changes will be communicated via a Customer Product/Process Change Notification (CPCN). |

Notes

1. Please consult the most recently issued data sheet before initiating or completing a design.
2. The product status of the device(s) described in this data sheet may have changed since this data sheet was published. The latest information is available on the Internet at URL <http://www.semiconductors.philips.com>.
3. For data sheets describing multiple type numbers, the highest-level product status determines the data sheet status.

20 DEFINITIONS

Short-form specification — The data in a short-form specification is extracted from a full data sheet with the same type number and title. For detailed information see the relevant data sheet or data handbook.

Limiting values definition — Limiting values given are in accordance with the Absolute Maximum Rating System (IEC 60134). Stress above one or more of the limiting values may cause permanent damage to the device. These are stress ratings only and operation of the device at these or at any other conditions above those given in the Characteristics sections of the specification is not implied. Exposure to limiting values for extended periods may affect device reliability.

Application information — Applications that are described herein for any of these products are for illustrative purposes only. Philips Semiconductors make no representation or warranty that such applications will be suitable for the specified use without further testing or modification.

21 DISCLAIMERS

Life support applications — These products are not designed for use in life support appliances, devices, or systems where malfunction of these products can reasonably be expected to result in personal injury. Philips Semiconductors customers using or selling these products for use in such applications do so at their own risk and agree to fully indemnify Philips Semiconductors for any damages resulting from such application.

Right to make changes — Philips Semiconductors reserves the right to make changes in the products - including circuits, standard cells, and/or software - described or contained herein in order to improve design and/or performance. When the product is in full production (status 'Production'), relevant changes will be communicated via a Customer Product/Process Change Notification (CPCN). Philips Semiconductors assumes no responsibility or liability for the use of any of these products, conveys no licence or title under any patent, copyright, or mask work right to these products, and makes no representations or warranties that these products are free from patent, copyright, or mask work right infringement, unless otherwise specified.

**LCD row/column driver for
dot matrix graphic displays**

PCF8578**22 PURCHASE OF PHILIPS I²C COMPONENTS**

Purchase of Philips I²C components conveys a license under the Philips' I²C patent to use the components in the I²C system provided the system conforms to the I²C specification defined by Philips. This specification can be ordered using the code 9398 393 40011.

LCD row/column driver for
dot matrix graphic displays

PCF8578

NOTES

LCD row/column driver for
dot matrix graphic displays

PCF8578

NOTES

Philips Semiconductors – a worldwide company

Contact information

For additional information please visit <http://www.semiconductors.philips.com>. Fax: +31 40 27 24825

For sales offices addresses send e-mail to: sales.addresses@www.semiconductors.philips.com.

© Koninklijke Philips Electronics N.V. 2003

SCA75

All rights are reserved. Reproduction in whole or in part is prohibited without the prior written consent of the copyright owner.

The information presented in this document does not form part of any quotation or contract, is believed to be accurate and reliable and may be changed without notice. No liability will be accepted by the publisher for any consequence of its use. Publication thereof does not convey nor imply any license under patent- or other industrial or intellectual property rights.

Printed in The Netherlands

403512/05/pp48

Date of release: 2003 Apr 14

Document order number: 9397 750 11026

Let's make things better.

**Philips
Semiconductors**



PHILIPS