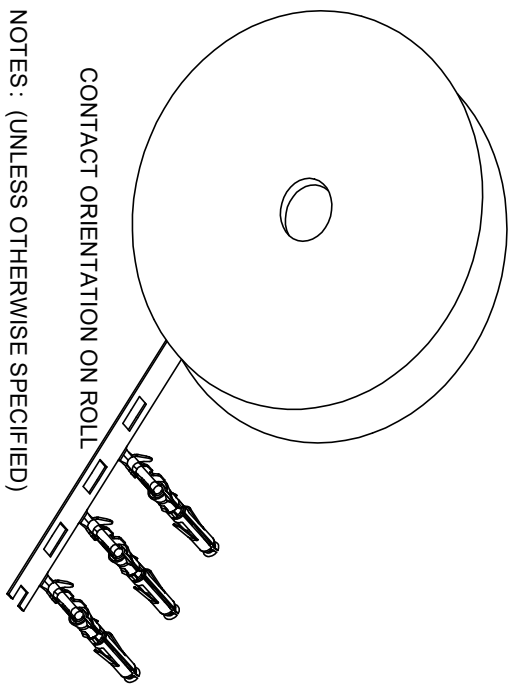
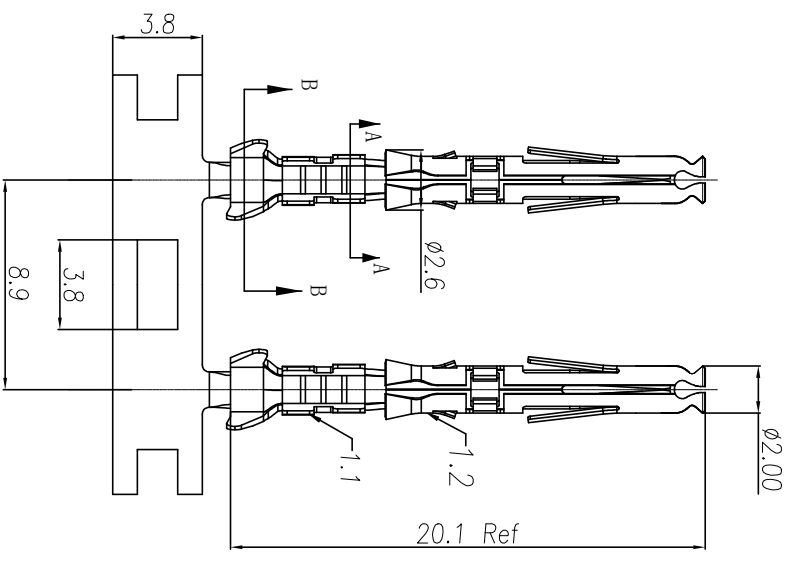
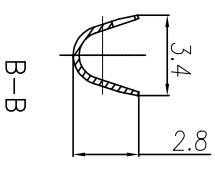
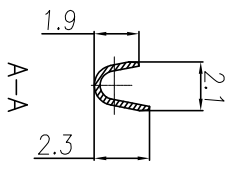


REVISIONS				
REV	ECO	DESCRIPTION	DATE	BY APPR
B1	-	RELEASED DRAWING	JAN-18-2014	ARROW TOMMY
B2	-	CHANGE HAND CRIMPER	Nov-8-19	Flan Tommy



- NOTES: (UNLESS OTHERWISE SPECIFIED)
- MATERIAL:
 - CONTACT BODY: COPPER ALLOY.
 - OUTER SPRING: STAINLESS STEEL.
 - SPECIFICATIONS:
 - CURRENT RATING: 5A MAX.
 - TERMINATION TYPE: CRIMPING.
 - WIRE RANGE: 22~20AWG.
 - WIRE INSULATION DIA(MAX): \varnothing 2.6mm.
 - ROHS COMPLIANT.
 - ALL DIMENSIONS ARE FOR REFERENCE USE ONLY.
5. AVAILABLE TOOLS:
- HAND CRIMPER: MFX-3958 ^(B2)
 - CRIMP APPLICATOR: MFX-3957.
 - EXTRACTION TOOL: QXRT20.



P/N	CONTACT PLATING(MATING AREA)
SS20W1T	TIN PLATING OVER NICKEL.
SS20W1F	GOLD FLASH PLATING OVER NICKEL.
SS20W1G10	10 μ "GOLD PLATING OVER NICKEL.
SS20W1G15	15 μ "GOLD PLATING OVER NICKEL.
SS20W1G30	30 μ "GOLD PLATING OVER NICKEL.

QUANTITY	PART NUMBER	DESCRIPTION	ITEM								
MATERIALS LIST											
<p>UNLESS OTHERWISE SPECIFIED</p> <p>1) All dimensions are in millimeters. 2) Tolerances are as follows: 1 Pt. DEC 04-90 Fractions 1/164 3 Pt. DEC 20-08 3) Note reference = Δ</p>											
<p>SIGNATURES</p> <table border="0"> <tr> <td>DRAWN: RH</td> <td>DATE: Nov-8-19</td> </tr> <tr> <td>CHECKED: MH</td> <td>DATE: Nov-8-19</td> </tr> <tr> <td>ENGINEER:</td> <td></td> </tr> <tr> <td>APPROVE: Tommy</td> <td>DATE: Nov-8-19</td> </tr> </table>		DRAWN: RH	DATE: Nov-8-19	CHECKED: MH	DATE: Nov-8-19	ENGINEER:		APPROVE: Tommy	DATE: Nov-8-19	<p>ECO-MATE SOCKET CONTACT, STAMPED, 20-22AWG, SIZE 20</p>	
DRAWN: RH	DATE: Nov-8-19										
CHECKED: MH	DATE: Nov-8-19										
ENGINEER:											
APPROVE: Tommy	DATE: Nov-8-19										
<p>CUSTOMER: Tommy</p>		<p>SIZE: B TYPE: C- DWG NO: SS20W1XX REVISION: B2</p>									
<p>PROCESS SPECIFICATIONS</p>		<p>THE DRAWING IS SUPPLEMENTED BY THE SPECIFICATIONS AND PERFORMANCE DATA OF THE MANUFACTURING CORPORATION. NO RIGHTS OF REPRODUCTION ARE AWARDED. ALL MANUFACTURING VARIATIONS</p>									
<p>MATERIAL SPECIFICATIONS</p>		<p>SCALE: NONE SHEET 1 OF 1</p>									
<p>NEXT ASBY:</p>		<p>Amphenol Sine Systems - www.amphenol-sine.com 44724 Montley Drive Clinton Township, MI 48038</p>									