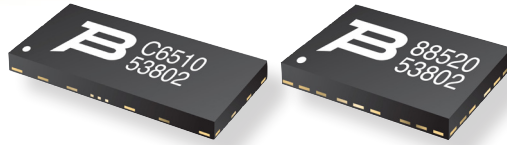


Product Change Notification

TBU® HIGH-SPEED PROTECTORS

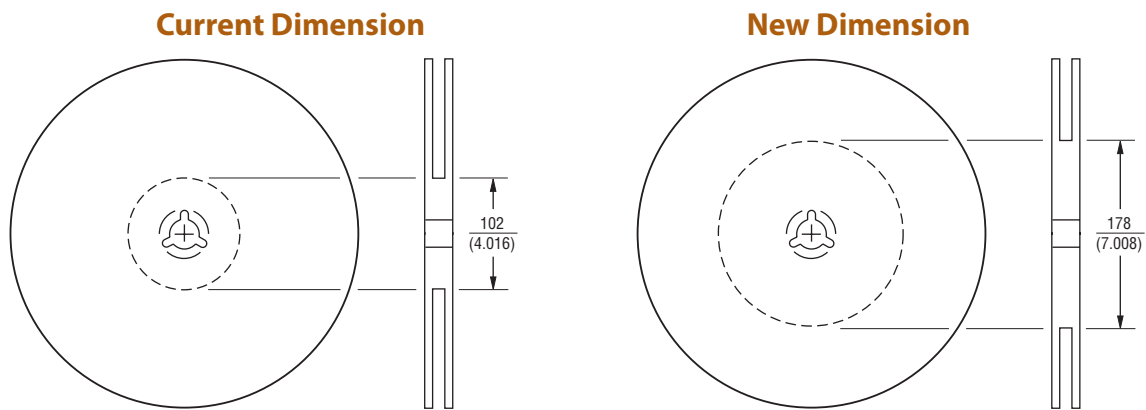


October 19, 2018

Change of Reel Hub Dimension for Bourns® TBU® High-Speed Protectors

In the spirit of continuous improvement, the reels used to pack the below mentioned Bourns® TBU® High-Speed Protectors will have the reel hub dimensions increased from 4 " (102 mm) to 7 " (178 mm). This change will minimize the empty distance from the edge of the taped products to the edge of the reel.

The change in the reel's hub will have no effect on form, fit, function, quality or reliability of the Bourns® products themselves.



Affected Part Numbers

C650-100-WH	C850-260-WH
C650-180-WH	P750-G120-WH
C650-260-WH	P850-G120-WH
C850-100-WH	P850-G200-WH
C850-180-WH	

Implementation dates are as follows:

*Bourns will begin phasing in the new plastic reel material: **Jan 1, 2019***

*First date code using the above changes: **1901***

If you have any questions or need additional information, please feel free to contact [Customer Service/ Inside Sales](#).

Users should verify that the described changes will not impact the performance of the product in their specific applications.

FU1813