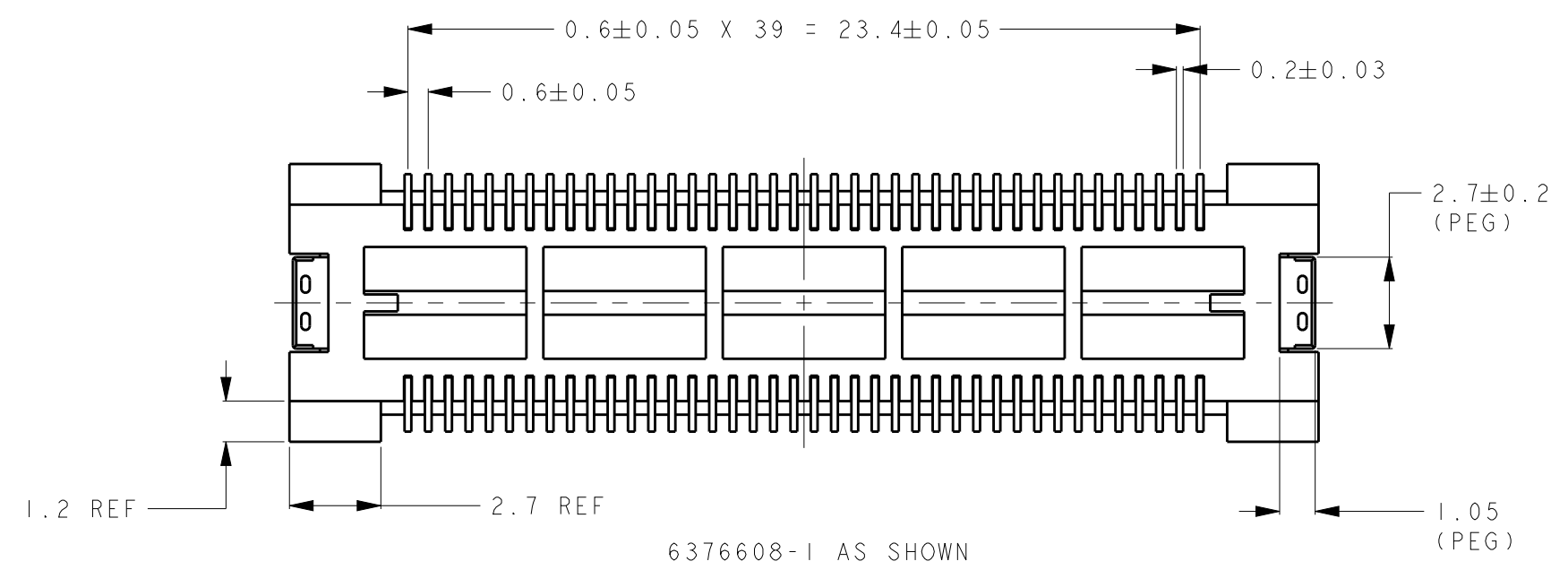
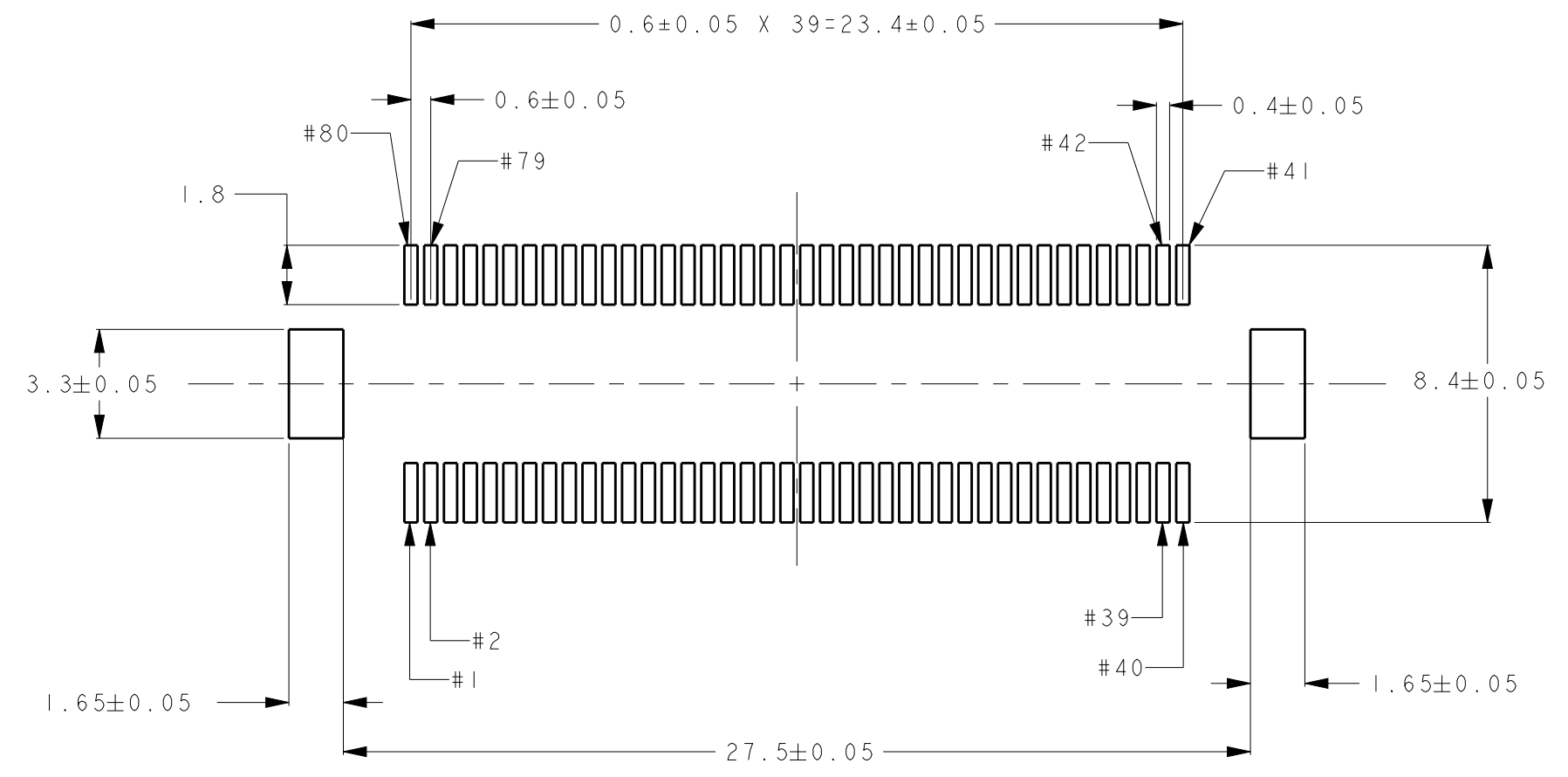
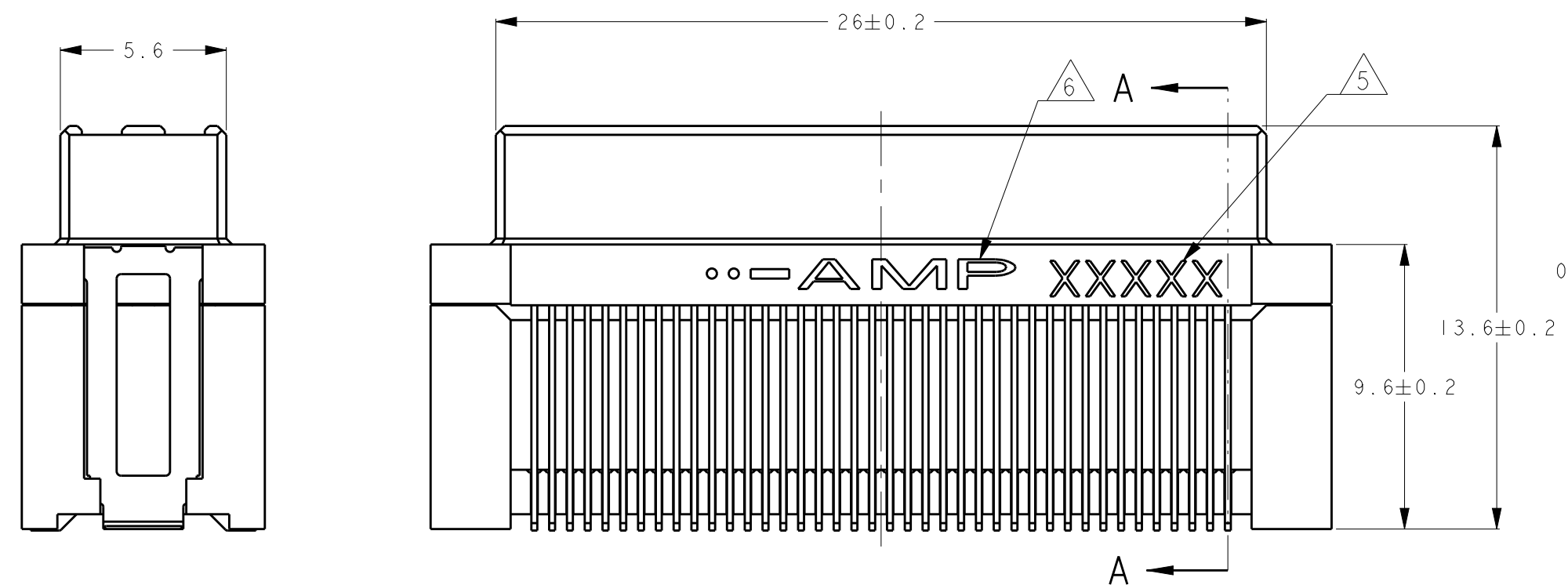
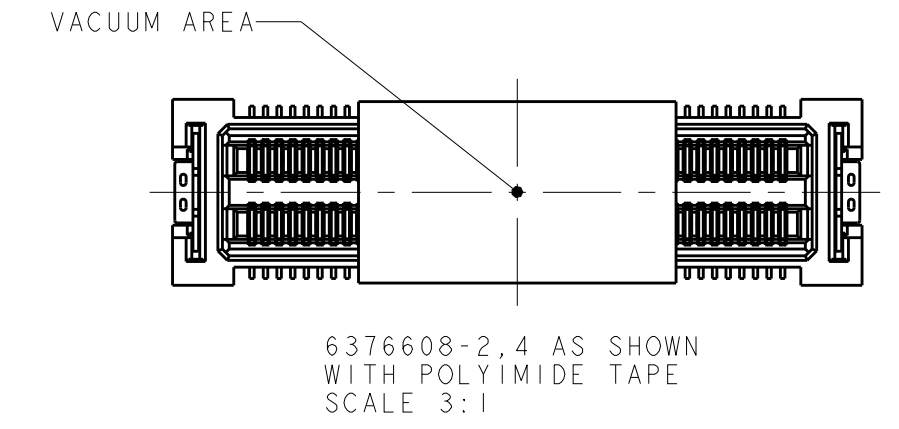
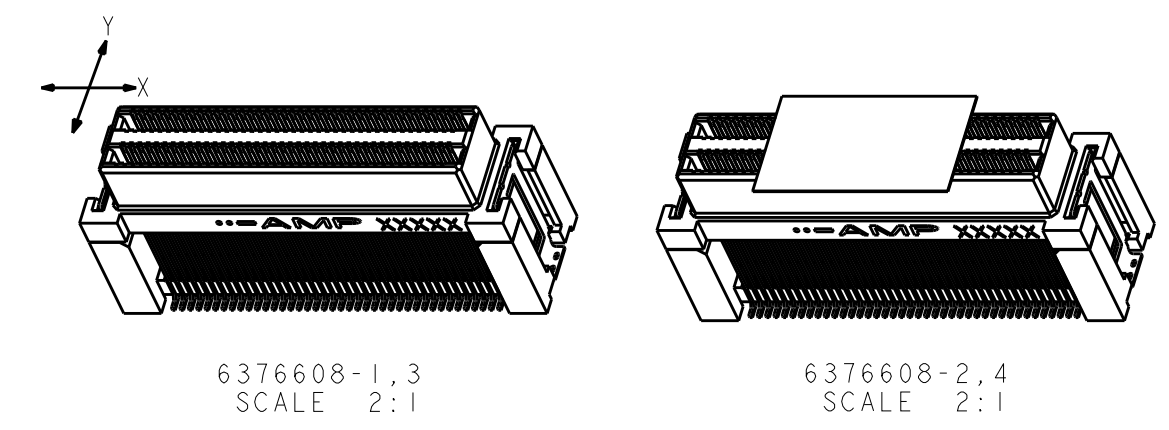
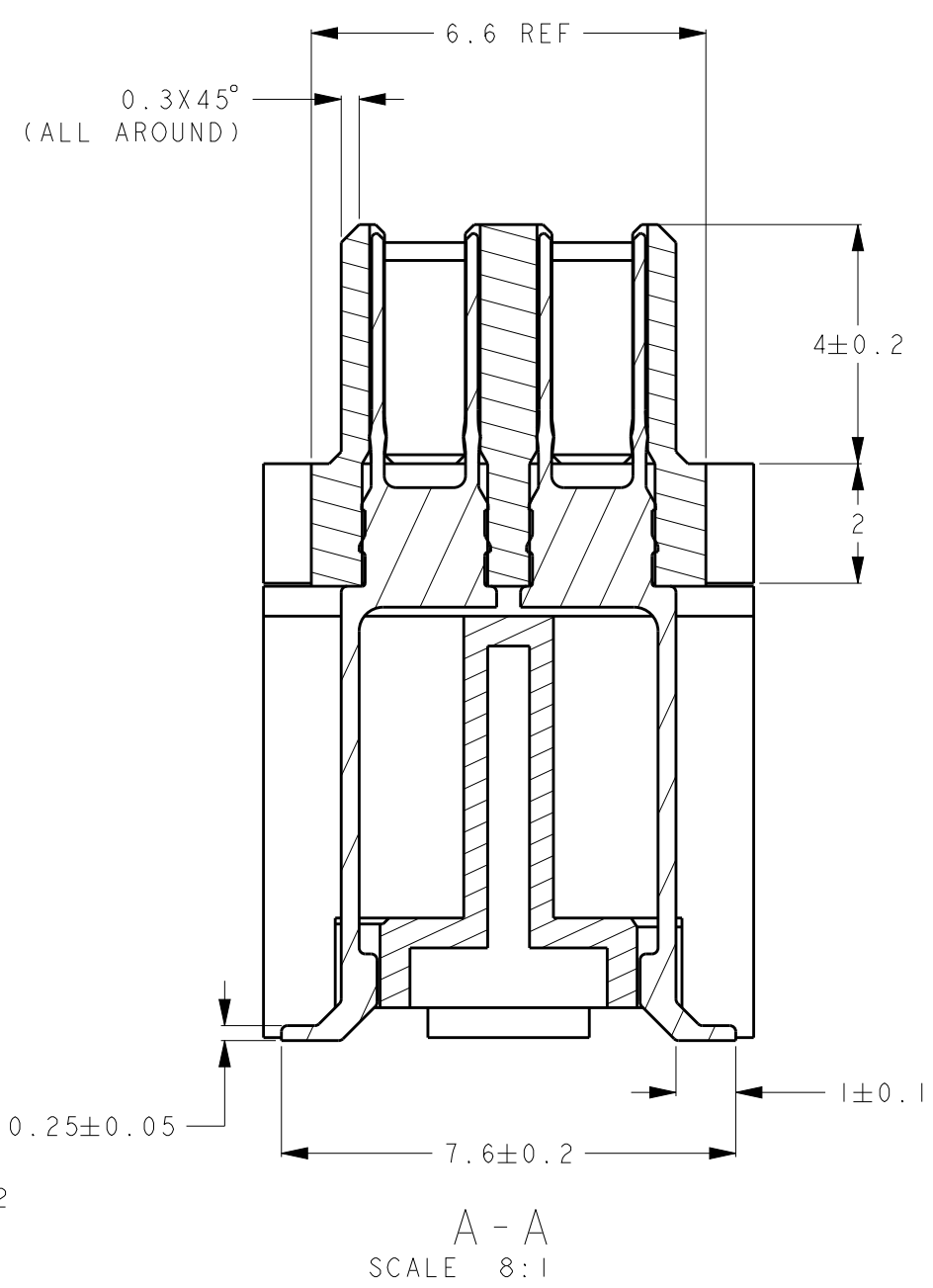
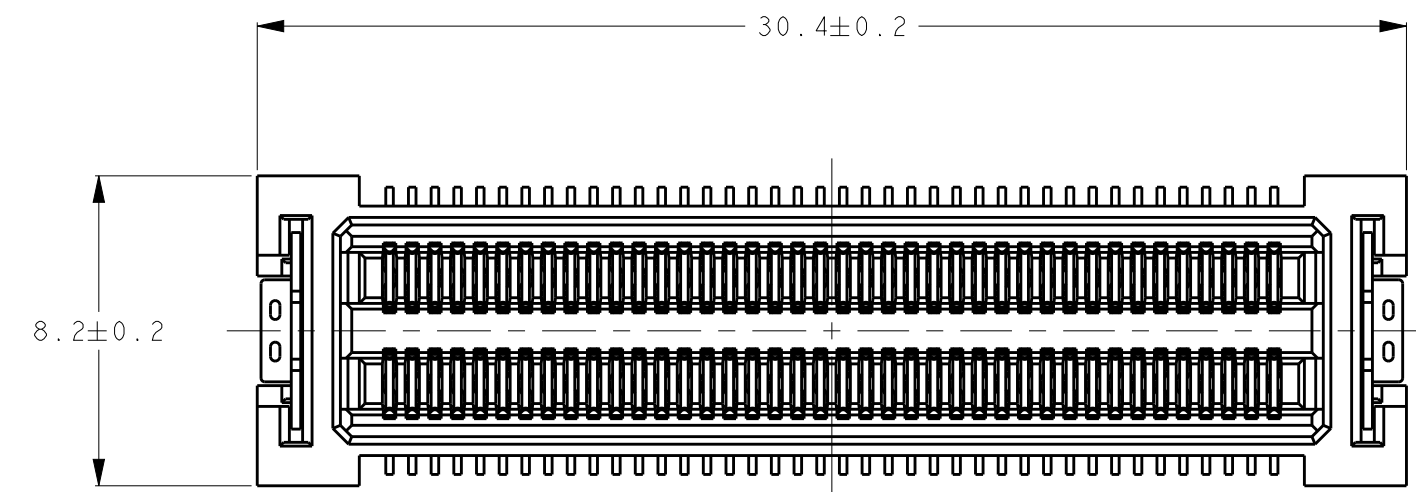


THIS DRAWING IS UNPUBLISHED. RELEASED FOR PUBLICATION 20
 © COPYRIGHT 20 BY - ALL RIGHTS RESERVED.

REVISIONS					
P	LTR	DESCRIPTION	DATE	DWN	APVD
G		REVISED PER ECR-17-013826	20SEP2017	T.S	E.T
G1		ADD P/N 6376608-4	06MAR2018	A.W	R.B
G2		ADD P/N 6376608-3	18/OCT2018	A.W	R.B



- 1 MATERIAL : HOUSING; LCP
; CONTACT; COPPER ALLOY
- 2 FINISH : UNDER Ni PL. 0.8µmMIN
CONTACT AREA: Au PL. 0.3µmMIN
SOLDERING AREA: Au FLASH
- 3. COPLANARITY 0.1MAX.
- 4. SHOULD BE PUT 45 CONNECTORS IN HARD TRAY. (SEE SHEET 2)
- 5 DATE CODE IS MARKED TO CHINA PRODUCTION PRODUCT.
THE FACE SIDE AND BACK SIDE IS NOT ASKED.
- 6 **-AMP** : MADE IN JAPAN
--AMP : MADE IN CHINA
- 7 FLOATING AMOUNT X, Y DIRECTION ±0.3mm MAX.
- 8 CONNECTORS AND TRAY SHALL BE COVERED BY PLASTIC BAG
WITH ENCLOSED DESICCANT

DESCRIPTION	PACKAGE	PART NO
WITH POLYIMIDE TAPE	TAPE REEL	-- 6376608-4
	HARD TRY	-- 6376608-2
W/O POLYIMIDE TAPE	HARD TRAY	8 6376608-3
	HARD TRAY	-- 6376608-1

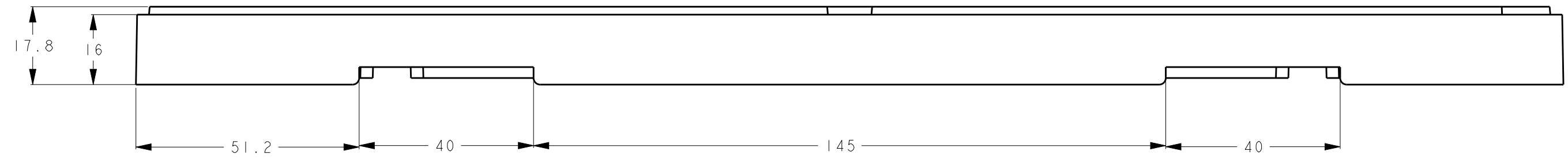
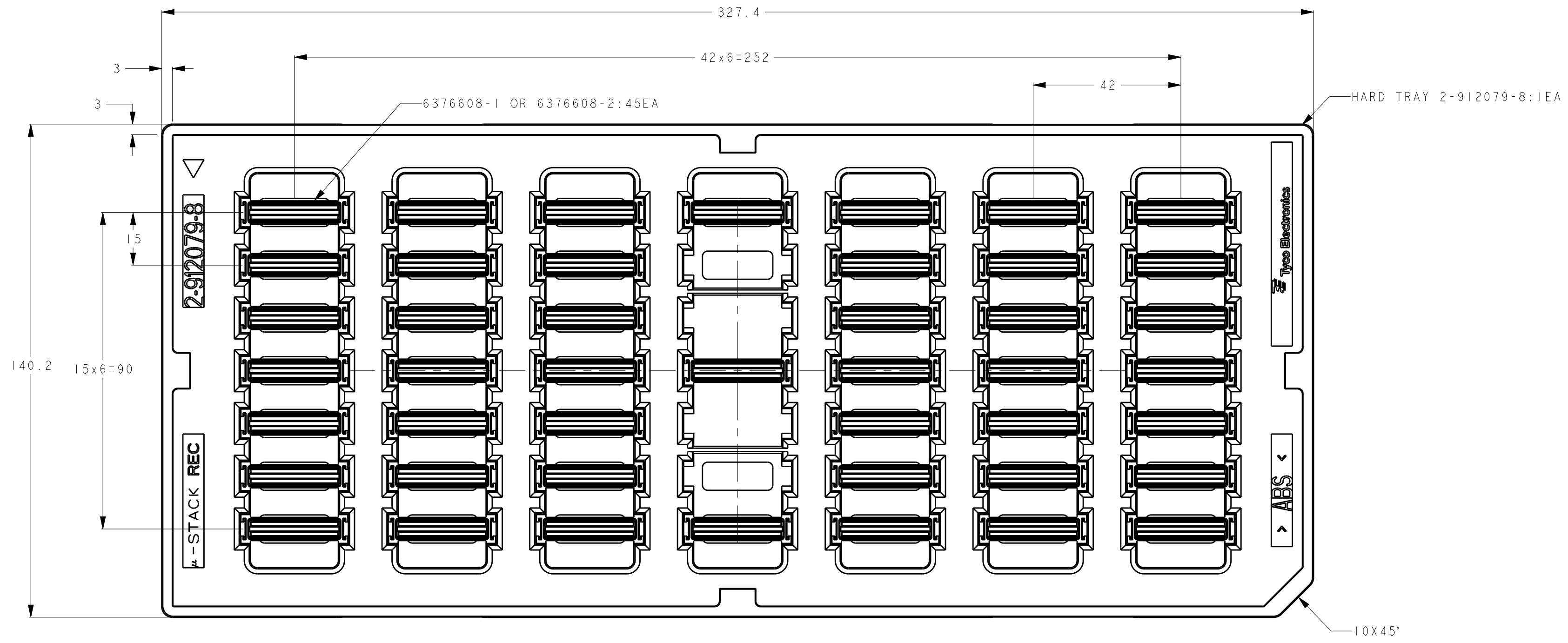
THIS DRAWING IS A CONTROLLED DOCUMENT.

DIMENSIONS: mm	TOLERANCES UNLESS OTHERWISE SPECIFIED: 0 PLC ±0.3 1 PLC ±0.25 2 PLC ±0.2 3 PLC ± 4 PLC ± ANGLES ±3° FINISH	DWN K.Sakai 23JAN2006 CHK E.Takemasa 23JAN2006 APVD M.Kimura 23JAN2006	TE Connectivity NAME REC ASSEMBLY MICRO-STACK CONNECTOR 0.6mm PITCH 80P
MATERIAL SEE NOTE 1	SEE NOTE 2	PRODUCT SPEC 108-5724 APPLICATION SPEC	
CUSTOMER DRAWING		WEIGHT 3.0g	SCALE 5:1 SHEET 1 OF 3 REV G2

THIS DRAWING IS UNPUBLISHED. RELEASED FOR PUBLICATION 20
 © COPYRIGHT 20 BY - ALL RIGHTS RESERVED.

REVISIONS				
P	LTR	DESCRIPTION	DATE	APVD
-		SEE SHEET 1	-	-

- 1:AS SHOWN



HARD TRAY PACKING SPEC

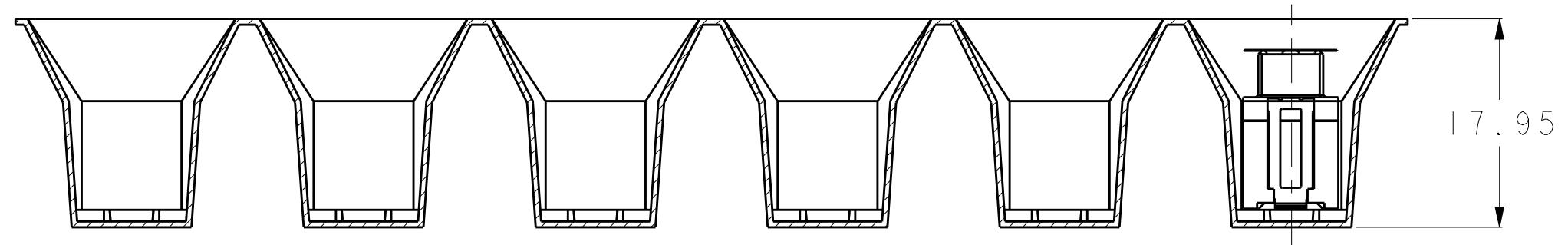
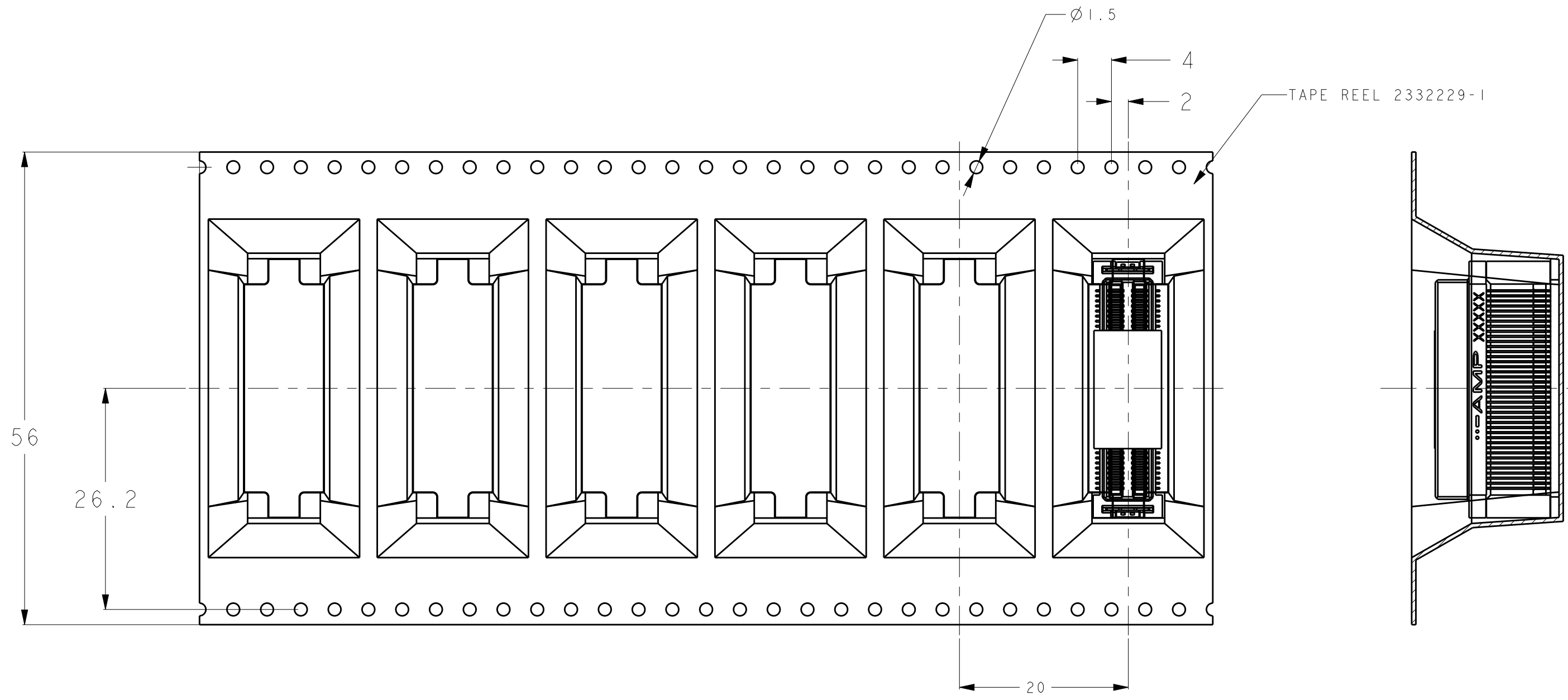
45	BLACK
CONN QTY	HARD TRAY COLOR

THIS DRAWING IS A CONTROLLED DOCUMENT.		DWN K. Sakai 23JAN2006	TE Connectivity
DIMENSIONS: mm		CHK E. Takemasa 23JAN2006	
		APVD M. Kimura 23JAN2006	
TOLERANCES UNLESS OTHERWISE SPECIFIED: 0-PLC ± 1 1-PLC ± 0.3 2-PLC ± 0.25 3-PLC ± 0.2 4-PLC ± ANGLES ± 3° FINISH		PRODUCT SPEC 108-5724 APPLICATION SPEC - WEIGHT 3.0g	
MATERIAL		NAME REC ASSEMBLY MICRO-STACK CONNECTOR 0.6mm PITCH 80P	
		SIZE CAGE CODE DRAWING NO RESTRICTED TO A20779 C-6376608	
		CUSTOMER DRAWING SCALE 1:1 SHEET 2 OF 3 REV G2	

THIS DRAWING IS UNPUBLISHED. RELEASED FOR PUBLICATION 20
 © COPYRIGHT 20 BY - ALL RIGHTS RESERVED.


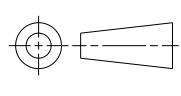
REVISIONS				
P	LTR	DESCRIPTION	DATE	APVD
-		SEE SHEET 1	-	-

-4:AS SHOWN



TAPE REEL PACKING SPEC.

160/R	WHITE
CONN QTY	TAPE REEL COLOR

THIS DRAWING IS A CONTROLLED DOCUMENT.		DWN K. Sakai 23JAN2006	 TE Connectivity		
DIMENSIONS: mm		CHK E. Takemasa 23JAN2006			
		APVD M. Kimura 23JAN2006			
TOLERANCES UNLESS OTHERWISE SPECIFIED: 0-PLC ± 1 1-PLC ± 0.3 2-PLC ± 0.25 3-PLC ± 0.2 4-PLC \pm ANGLES $\pm 3^\circ$ FINISH -		PRODUCT SPEC 108-5724 APPLICATION SPEC - WEIGHT 3.0g CUSTOMER DRAWING			
NAME REC ASSEMBLY MICRO-STACK CONNECTOR 0.6mm PITCH 80P		SIZE A2	CAGE CODE 0779	DRAWING NO C-6376608	RESTRICTED TO
SCALE 1:1		SHEET 3 OF 3		REV G2	