

Intelligent Power Module (IPM), 650 V, 50 A



ON Semiconductor®

www.onsemi.com

NFAM5065L4B

General Description

The NFAM5065L4B is a fully-integrated inverter power module consisting of an independent High side gate driver, LVIC, six IGBT's and a temperature sensor (VTS), suitable for driving permanent magnet synchronous (PMSM) motors, brushless DC (BLDC) motors and AC asynchronous motors. The IGBT's are configured in a three-phase bridge with separate emitter connections for the lower legs for maximum flexibility in the choice of control algorithm.

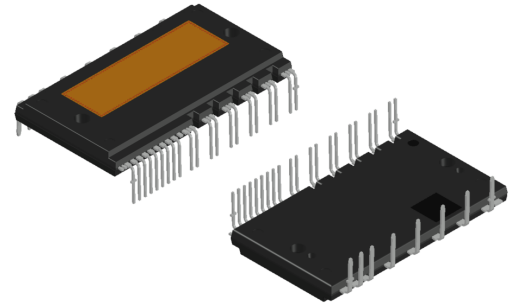
The power stage has under voltage lockout protection (UVP). Internal boost diodes are provided for high side gate boost drive.

Features

- Three-phase 650 V, 50 A IGBT Module with Independent Drivers
- Active Logic Interface
- Built-in Undervoltage Protection (UVP)
- Integrated Bootstrap Diodes and Resistors
- Separate Low-side IGBT Emitter Connections for Individual Current Sensing of Each Phase
- Temperature Sensor (VTS)
- UL1557 Certified (File No.339285)
- This Device is Pb-Free and RoHS Compliant

Typical Applications

- Industrial Drives
- Industrial Pumps
- Industrial Fans
- Industrial Automation



DIP39, 54.5x31.0 EP-2
CASE MODGX

MARKING DIAGRAM



Device marking is on package top side

NFAM5065L4B = Specific Device Code
 ZZZ = Assembly Lot Code
 A = Assembly Location
 T = Test Location
 Y = Year
 WW = Work Week

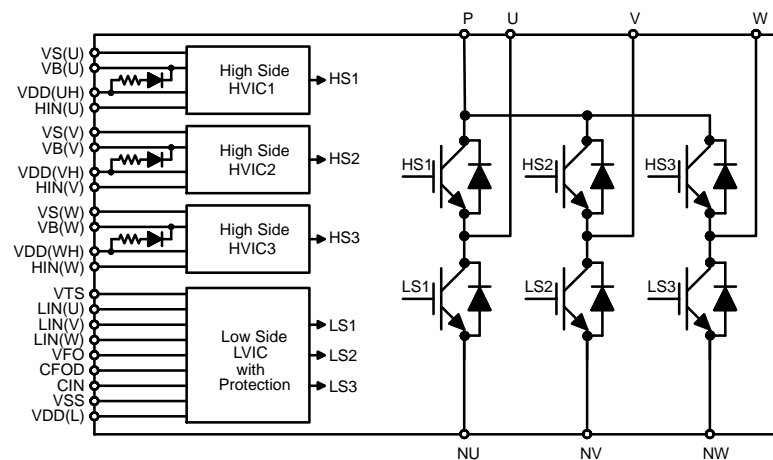


Figure 1. Application Schematic

ORDERING INFORMATION

Device	Package	Shipping
NFAM5065L4B	DIP39 54.5 x 31.0 (Pb-Free)	90 / Box

NFAM5065L4B

APPLICATION SCHEMATIC

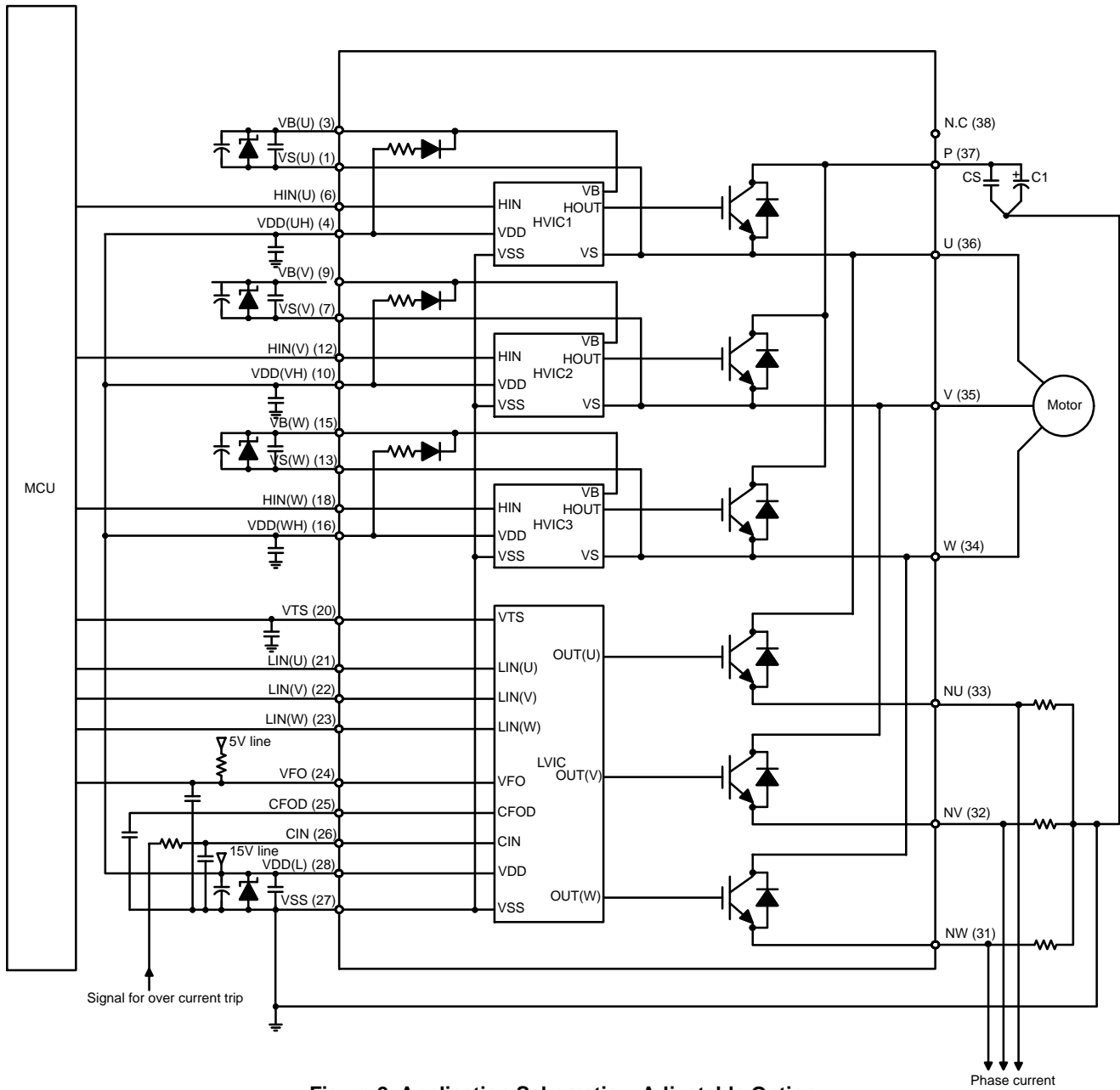


Figure 2. Application Schematic – Adjustable Option

NFAM5065L4B

BLOCK DIAGRAM

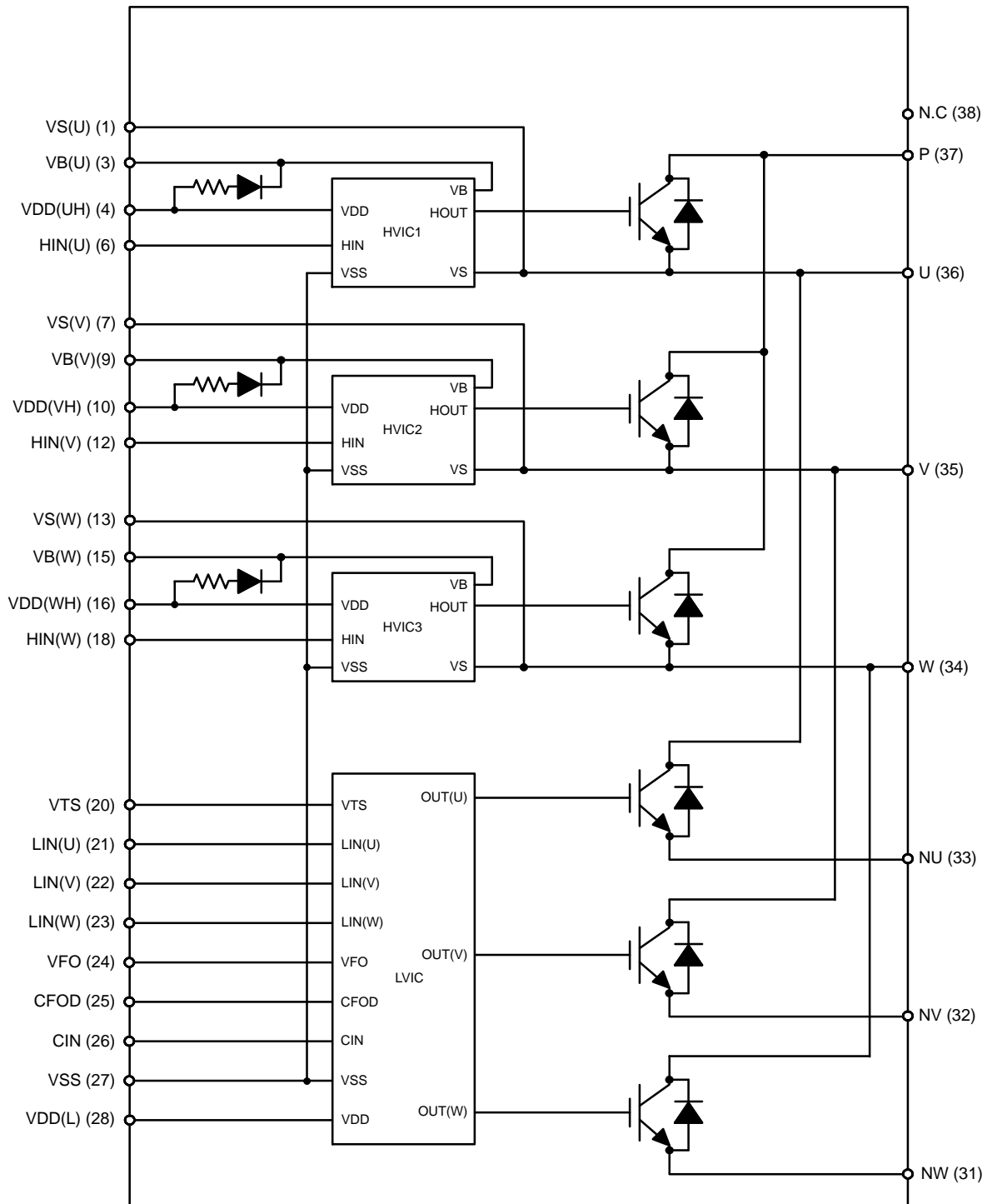


Figure 3. Equivalent Block Diagram

NFAM5065L4B

PIN FUNCTION DESCRIPTION

Pin	Name	Description
1	VS(U)	High-Side Bias Voltage GND for U phase IGBT Driving
(2)	-	Dummy
3	VB(U)	High-Side Bias Voltage for U phase IGBT Driving
4	VDD(UH)	High-Side Bias Voltage for U phase IC
(5)	-	Dummy
6	HIN(U)	Signal Input for High-Side U Phase
7	VS(V)	High-Side Bias Voltage GND for V phase IGBT Driving
(8)	-	Dummy
9	VB(V)	High-Side Bias Voltage for V phase IGBT Driving
10	VDD(VH)	High-Side Bias Voltage for V phase IC
(11)	-	Dummy
12	HIN(V)	Signal Input for High-Side V Phase
13	VS(W)	High-Side Bias Voltage GND for W phase IGBT Driving
(14)	-	Dummy
15	VB(W)	High-Side Bias Voltage for W phase IGBT Driving
16	VDD(WH)	High-Side Bias Voltage for W phase IC
(17)	-	Dummy
18	HIN(W)	Signal Input for High-Side W Phase
(19)	-	Dummy
20	VTS	Voltage Output for LVIC Temperature Sensing Unit
21	LIN(U)	Signal Input for Low-Side U Phase
22	LIN(V)	Signal Input for Low-Side V Phase
23	LIN(W)	Signal Input for Low-Side W Phase
24	VFO	Fault Output
25	CFOD	Capacitor for Fault Output Duration Selection
26	CIN	Input for Current Protection
27	VSS	Low-Side Common Supply Ground
28	VDD(L)	Low-Side Bias Voltage for IC and IGBTs Driving
(29)	-	Dummy
(30)	-	Dummy
31	NW	Negative DC-Link Input for U Phase
32	NV	Negative DC-Link Input for V Phase
33	NU	Negative DC-Link Input for W Phase
34	W	Output for U Phase
35	V	Output for V Phase
36	U	Output for W Phase
37	P	Positive DC-Link Input
38	N.C	No Connection
(39)	-	Dummy

1. Pins of () are the dummy for internal connection. These pins should be no connection.

NFAM5065L4B

ABSOLUTE MAXIMUM RATINGS (T_C = 25°C) (Note 2)

Symbol	Rating	Conditions	Value	Unit
VPN	Supply Voltage	P–NU, NV, NW	450	V
VPN(surge)	Supply Voltage (Surge)	P–NU, NV, NW (Note 3)	550	V
VPN(PROT)	Self Protection Supply Voltage Limit (Short–Circuit Protection Capability)	VDD = VBS = 13.5 V ~ 16.5 V, T _J = 150°C, VCES < 650 V, Non–Repetitive, < 2 μs	400	V
Vces	Collector–emitter voltage		650	V
VRRM	Maximum Repetitive Revers Voltage		650	V
±Ic	Each IGBT Collector Current		±30	A
Iop	Output current (peak)	PWM control	±50	A
±Icp	Each IGBT Collector Current (Peak)	Under 1 ms Pulse Width	±100	A
VDD	Control Supply Voltage	VDD(UH,VH,WH), VDD(L)–VSS	–0.3 to 20	V
VBS	High–Side Control Bias voltage	VB(U)–VS(U), VB(V)–VS(V), VB(W)–VS(W)	–0.3 to 20	V
VIN	Input Signal Voltage	HIN(U), HIN(V), HIN(W), LIN(U), LIN(V), LIN(W)–VSS	–0.3 to VDD	V
VFO	Fault Output Supply Voltage	VFO–VSS	–0.3 to VDD	V
IFO	Fault Output Current	Sink Current at VFO pin	2	mA
VCIN	Current Sensing Input Voltage	CIN–VSS	–0.3 to VDD	V
Pc	Corrector Dissipation	Per One Chip	125	W
T _J	Operating Junction Temperature		–40 to +150	°C
T _{stg}	Storage temperature		–40 to +125	°C
T _c	Module Case Operation Temperature		–40 to +125	°C
V _{ISO}	Isolation voltage	60 Hz, Sinusoidal, AC 1 minute, Connection Pins to Heat Sink Plate	2500	Vrms

Stresses exceeding those listed in the Maximum Ratings table may damage the device. If any of these limits are exceeded, device functionality should not be assumed, damage may occur and reliability may be affected.

- Refer to [ELECTRICAL CHARACTERISTICS, RECOMMENDED OPERATING RANGES](#) and/or APPLICATION INFORMATION for Safe Operating parameters.
- This surge voltage developed by the switching operation due to the wiring inductance between P and NU, NV, NW terminal.

THERMAL CHARACTERISTICS

Symbol	Rating	Conditions	Min	Typ	Max	Unit
R _{th(j-c)Q}	Junction-to-Case Thermal Resistance	Inverter IGBT Part (per 1/6 module)	–	–	1.0	°C/W
R _{th(j-c)F}		Inverter FWD Part (per 1/6 module)	–	–	1.7	°C/W

- Refer to [ELECTRICAL CHARACTERISTICS, RECOMMENDED OPERATING RANGES](#) and/or APPLICATION INFORMATION for Safe Operating parameters.

NFAM5065L4B

RECOMMENDED OPERATING CONDITIONS (Note 5)

Symbol	Rating	Conditions	Min	Typ	Max	Unit	
VPN	Supply Voltage	P-NU, NV, NW	-	300	400	V	
VDD	Gate Driver Supply Voltages	VDD(UH,VH,WH), VDD(L)-VSS	13.5	15	16.5	V	
VBS		VB(U)-VS(U), VB(V)-VS(V), VB(W)-VS(W)	13.0	15	18.5	V	
dVDD / dt, dVBS / dt	Supply Voltage Variation		-1	-	1	V/ μ s	
fPWM	PWM Frequency		1	-	20	kHz	
DT	Dead Time	Turn-off to Turn-on (external)	1.5	-	-	μ s	
Io	Allowable r.m.s. Current	VPN = 300 V, VDD = 15 V, P.F. = 0.8, Tc \leq 125°C, Tj \leq 150°C (Note 5)	fPWM = 5 kHz	-	-	30.0	Arms
			fPWM = 15 kHz	-	-	21.2	
PWIN (on)	Allowable Input Pulse Width	200 V \leq VPN \leq 400 V 13.5 V \leq VDD \leq 16.5 V 13.0 V \leq VBS \leq 18.5 V -20°C \leq Tc \leq 100°C	1.0	-	-	μ s	
PWIN (off)			1.5	-	-		
	Package Mounting Torque	M3 type screw	0.6	0.7	0.9	Nm	

Functional operation above the stresses listed in the Recommended Operating Ranges is not implied. Extended exposure to stresses beyond the Recommended Operating Ranges limits may affect device reliability.

5. Allowable r.m.s current depends on the actual conditions.

6. Flatness tolerance of the heatsink should be within $-50 \mu\text{m}$ to $+100 \mu\text{m}$.

ELECTRICAL CHARACTERISTICS (T_C = 25°C, VDD = 15 V, VBS = 15 V, unless otherwise specified.) (Note 7)

Symbol	Parameter	Test Conditions	Min	Typ	Max	Unit
--------	-----------	-----------------	-----	-----	-----	------

INVERTERSECTION

Ices	Collector-Emitter Leakage Current		Vce = Vces, T _J = 25°C	-	-	1	mA	
			Vce = Vces, T _J = 150°C	-	-	10	mA	
VCE(sat)	Collector-Emitter Saturation Voltage		VDD = VBS = 15 V, IN = 5 V Ic = 50 A, T _J = 25°C	-	1.65	2.30	V	
			VDD = VBS = 15 V, IN = 5 V Ic = 50 A, T _J = 150°C	-	1.85	-	V	
VF	FWDi Forward Voltage		IN = 0 V, Ic = 50 A, T _J = 25°C	-	2.00	2.40	V	
			IN = 0 V, Ic = 50 A, T _J = 150°C	-	2.00	-	V	
ton	Switching Times	High Side	VPN = 300 V, VDD(H) = VDD(L) = 15 V Ic = 50 A, T _J = 25°C, IN = 0 \leftrightarrow 5 V Inductive Load	0.90	1.50	2.10	μ s	
tc(on)				-	0.40	0.70	μ s	
toff				-	1.80	2.40	μ s	
tc(off)				-	0.25	0.75	μ s	
trr				-	0.25	-	μ s	
ton		Low Side		VPN = 300 V, VDD(H) = VDD(L) = 15 V Ic = 50 A, T _J = 25°C, IN = 0 \leftrightarrow 5 V Inductive Load	0.90	1.50	2.10	μ s
tc(on)					-	0.30	0.60	μ s
toff					-	1.70	2.30	μ s
tc(off)					-	0.25	0.75	μ s
trr					-	0.25	-	μ s

NFAM5065L4B

ELECTRICAL CHARACTERISTICS ($T_C = 25^\circ\text{C}$, $V_{DD} = 15\text{ V}$, $V_{BS} = 15\text{ V}$, unless otherwise specified.) (Note 7) (continued)

Symbol	Parameter	Test Conditions	Min	Typ	Max	Unit
DRIVER SECTION						
IQDDH	Quiescent VDD Supply Current	$V_{DD}(UH, VH, WH) = 15\text{ V}$, $HIN(U, V, W) = 0\text{ V}$			0.30	mA
IQDDL		$V_{DD}(L) = 15\text{ V}$, $LIN(U, V, W) = 0\text{ V}$			3.50	mA
IPDDH	Operating VCC Supply Current	$V_{DD}(UH, VH, WH) = 15\text{ V}$, $f_{PWM} = 20\text{ kHz}$, Duty = 50%, Applied to one PWM Signal Input for High-Side			0.40	mA
IPDDL		$V_{DD}(L) = 15\text{ V}$, $f_{PWM} = 20\text{ kHz}$, Duty = 50%, Applied to one PWM Signal Input for Low-Side			6.00	mA
IQBS	Quiescent VBS Supply Current	$V_{BS} = 15\text{ V}$, $HIN(U, V, W) = 0\text{ V}$			0.30	mA
IPBS	Operating VBS Supply Current	$V_{DD} = V_{BS} = 15\text{ V}$, $f_{PWM} = 20\text{ kHz}$, Duty = 50%, Applied to one PWM Signal Input for High-Side			5.00	mA
VIN(ON)	ON Threshold Voltage	$HIN(U, V, W) - V_{SS}$, $LIN(U, V, W) - V_{SS}$			2.6	V
VIN(OFF)	OFF Threshold Voltage		0.8			V
VCIN(ref)	Short Circuit Trip Level	$V_{DD} = 15\text{ V}$, $CIN - V_{SS}$	0.46	0.48	0.50	V
UVDDD	Supply Circuit Under-Voltage Protection	Detection Level	10.3		12.5	V
UVDDR		Reset Level	10.8		13.0	V
UVBSD		Detection Level	10.0		12.0	V
UVBSR		Reset Level	10.5		12.5	V
VTS	Voltage Output for LVIC Temperature Sensing Unit	$V_{TS} - V_{SS} = 10\text{ nF}$, Temp. = 25°C	0.905	1.030	1.155	V
VFOH	Fault Output Voltage	$V_{DD} = 0\text{ V}$, $CIN = 0\text{ V}$, VFO Circuit: $10\text{ k}\Omega$ to 5 V Pull-up	4.9			V
VFOL		$V_{DD} = 0\text{ V}$, $CIN = 1\text{ V}$, VFO Circuit: $10\text{ k}\Omega$ to 5 V Pull-up			0.95	V
t_{FOD}	Fault-Output Pulse Width	$CFOD = 22\text{ nF}$	1.6	2.4		ms

BOOTSTRAP SECTION

VF	Bootstrap Diode Forward Voltage	$I_f = 0.1\text{ A}$	3.4	4.6	5.8	V
RBOOT	Built-in Limiting Resistance		30	38	46	Ω

Product parametric performance is indicated in the Electrical Characteristics for the listed test conditions, unless otherwise noted. Product performance may not be indicated by the Electrical Characteristics if operated under different conditions.

7. Performance guaranteed over the indicated operating temperature range by design and/or characterization tested at $T_J = T_A = 25^\circ\text{C}$.

Low duty cycle pulse techniques are used during testing to maintain the junction temperature as close to ambient as possible.

8. The fault-out pulse width t_{FOD} depends on the capacitance value of CFOD according to the following approximate equation:

$$t_{FOD} = 0.1 \times 10^6 \times CFOD \text{ (s)}$$

9. Values based on design and/or characterization.

NFAM5065L4B

Temperature of LVIC versus VTS Characteristics

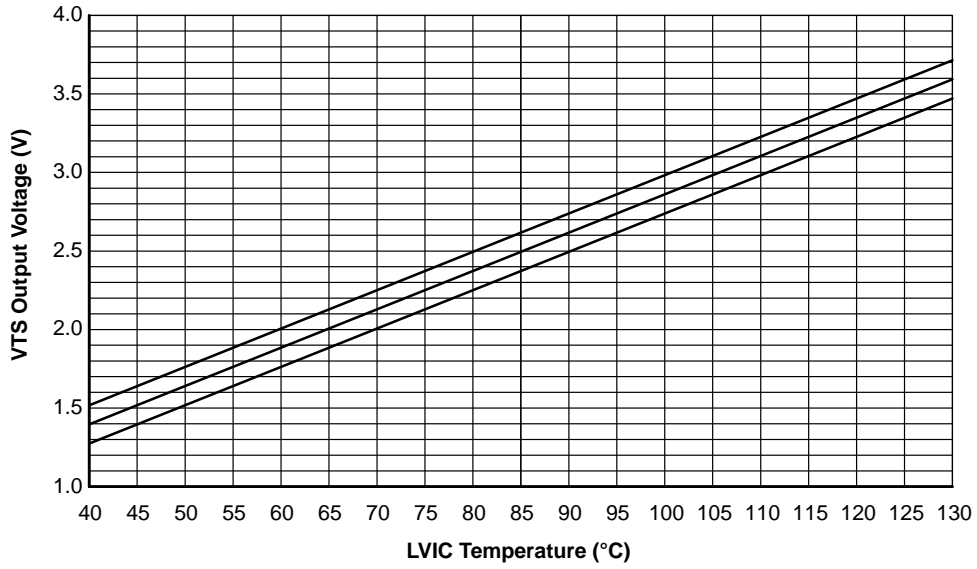


Figure 4. Temperature of LVIC versus VTS Characteristics

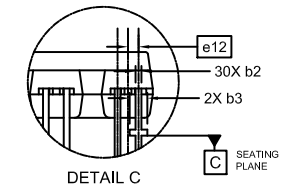
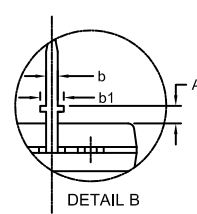
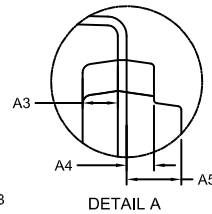
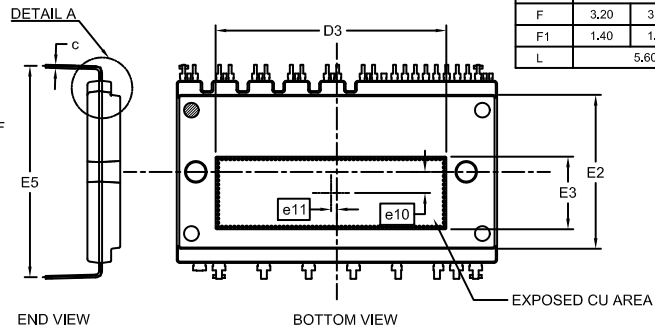
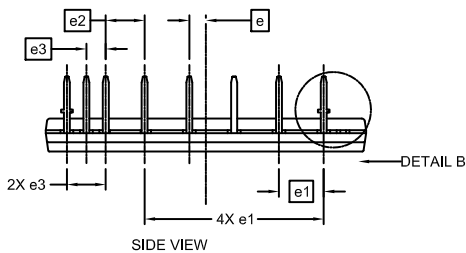
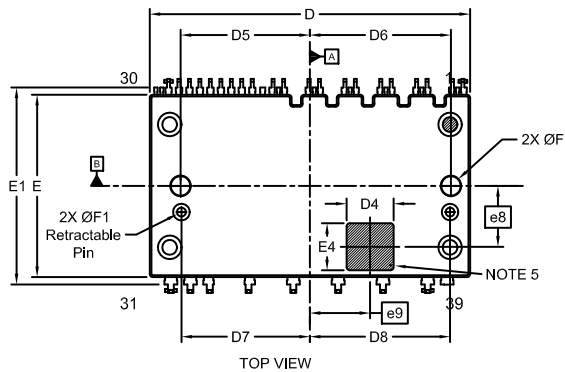
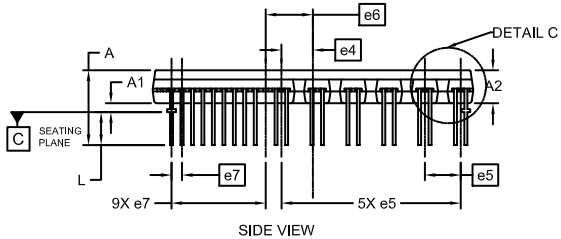
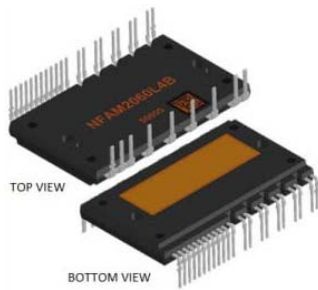
MECHANICAL CASE OUTLINE PACKAGE DIMENSIONS

ON Semiconductor®



DIP39, 54.5x31.0 EP-2 CASE MODGX ISSUE O

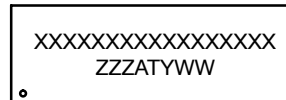
DATE 02 APR 2019



DIM	MILLIMETERS			DIM	MILLIMETERS		
	MIN.	NOM.	MAX.		MIN.	NOM.	MAX.
A	12.20	12.7	13.2	E	30.90	31.00	31.10
A1	1.00	1.50	2.00	E1	33.50 REF		
A2	5.50	5.60	5.70	E2	26.14 REF		
A3	2.00 REF			E3	12.35 REF		
A4	1.55 REF			E4	8.00 REF		
A5	3.10 REF			E5	35.40	35.90	36.40
b	0.90	1.00	1.10	e	2.81 REF		
b1	1.90	2.00	2.10	e1	7.62 BSC		
b2	0.40	0.50	0.60	e2	6.60 BSC		
b3	1.40	1.50	1.60	e3	3.30 BSC		
c	0.50 REF			e4	5.35 REF		
D	54.40	54.50	54.60	e5	6.10 BSC		
D3	39.25 REF			e6	8.02 REF		
D4	8.00 REF			e7	1.78 BSC		
D5	22.00 REF			e8	10.35 REF		
D6	24.00 REF			e9	10.25 REF		
D7	21.85 REF			e10	3.60 REF		
D8	23.85 REF			e11	1.00 REF		
				e12	0.89 BSC		
F	3.20	3.30	3.40				
F1	1.40	1.50	1.60				
L	5.60 REF						

- NOTES:
1. DIMENSIONING AND TOLERANCING PER ASME Y14.5M, 2009.
 2. CONTROLLING DIMENSION: MILLIMETERS
 3. DIMENSION b and c APPLY TO THE PLATED LEADS AND ARE MEASURED BETWEEN 1.00 AND 2.00 FROM THE LEAD TIP.
 4. POSITION OF THE LEAD IS DETERMINED AT THE BASE OF THE LEAD WHERE IT EXITS THE PACKAGE BODY.
 5. AREA FOR 2D BAR CODE.
 6. SHORTENED/CUT PINS ARE 2,5,8,11,14,17,19,29, 30 AND 39.

GENERIC MARKING DIAGRAM*



- XXXXXX = Specific Device Code
- ZZZ = Assembly Lot Code
- AT = Assembly & Test Location
- Y = Year
- WW = Work Week

*This information is generic. Please refer to device data sheet for actual part marking. Pb-Free indicator, "G" or microdot "•", may or may not be present. Some products may not follow the Generic Marking.

DOCUMENT NUMBER:	98AON05290H	Electronic versions are uncontrolled except when accessed directly from the Document Repository. Printed versions are uncontrolled except when stamped "CONTROLLED COPY" in red.
DESCRIPTION:	DIP39, 54.5x31.0 EP-2	PAGE 1 OF 1

ON Semiconductor and are trademarks of Semiconductor Components Industries, LLC dba ON Semiconductor or its subsidiaries in the United States and/or other countries. ON Semiconductor reserves the right to make changes without further notice to any products herein. ON Semiconductor makes no warranty, representation or guarantee regarding the suitability of its products for any particular purpose, nor does ON Semiconductor assume any liability arising out of the application or use of any product or circuit, and specifically disclaims any and all liability, including without limitation special, consequential or incidental damages. ON Semiconductor does not convey any license under its patent rights nor the rights of others.

onsemi, **Onsemi**, and other names, marks, and brands are registered and/or common law trademarks of Semiconductor Components Industries, LLC dba "**onsemi**" or its affiliates and/or subsidiaries in the United States and/or other countries. **onsemi** owns the rights to a number of patents, trademarks, copyrights, trade secrets, and other intellectual property. A listing of **onsemi**'s product/patent coverage may be accessed at www.onsemi.com/site/pdf/Patent-Marking.pdf. **onsemi** reserves the right to make changes at any time to any products or information herein, without notice. The information herein is provided "as-is" and **onsemi** makes no warranty, representation or guarantee regarding the accuracy of the information, product features, availability, functionality, or suitability of its products for any particular purpose, nor does **onsemi** assume any liability arising out of the application or use of any product or circuit, and specifically disclaims any and all liability, including without limitation special, consequential or incidental damages. Buyer is responsible for its products and applications using **onsemi** products, including compliance with all laws, regulations and safety requirements or standards, regardless of any support or applications information provided by **onsemi**. "Typical" parameters which may be provided in **onsemi** data sheets and/or specifications can and do vary in different applications and actual performance may vary over time. All operating parameters, including "Typicals" must be validated for each customer application by customer's technical experts. **onsemi** does not convey any license under any of its intellectual property rights nor the rights of others. **onsemi** products are not designed, intended, or authorized for use as a critical component in life support systems or any FDA Class 3 medical devices or medical devices with a same or similar classification in a foreign jurisdiction or any devices intended for implantation in the human body. Should Buyer purchase or use **onsemi** products for any such unintended or unauthorized application, Buyer shall indemnify and hold **onsemi** and its officers, employees, subsidiaries, affiliates, and distributors harmless against all claims, costs, damages, and expenses, and reasonable attorney fees arising out of, directly or indirectly, any claim of personal injury or death associated with such unintended or unauthorized use, even if such claim alleges that **onsemi** was negligent regarding the design or manufacture of the part. **onsemi** is an Equal Opportunity/Affirmative Action Employer. This literature is subject to all applicable copyright laws and is not for resale in any manner.

PUBLICATION ORDERING INFORMATION

LITERATURE FULFILLMENT:

Email Requests to: orderlit@onsemi.com

onsemi Website: www.onsemi.com

TECHNICAL SUPPORT

North American Technical Support:
Voice Mail: 1 800-282-9855 Toll Free USA/Canada
Phone: 011 421 33 790 2910

Europe, Middle East and Africa Technical Support:

Phone: 00421 33 790 2910

For additional information, please contact your local Sales Representative