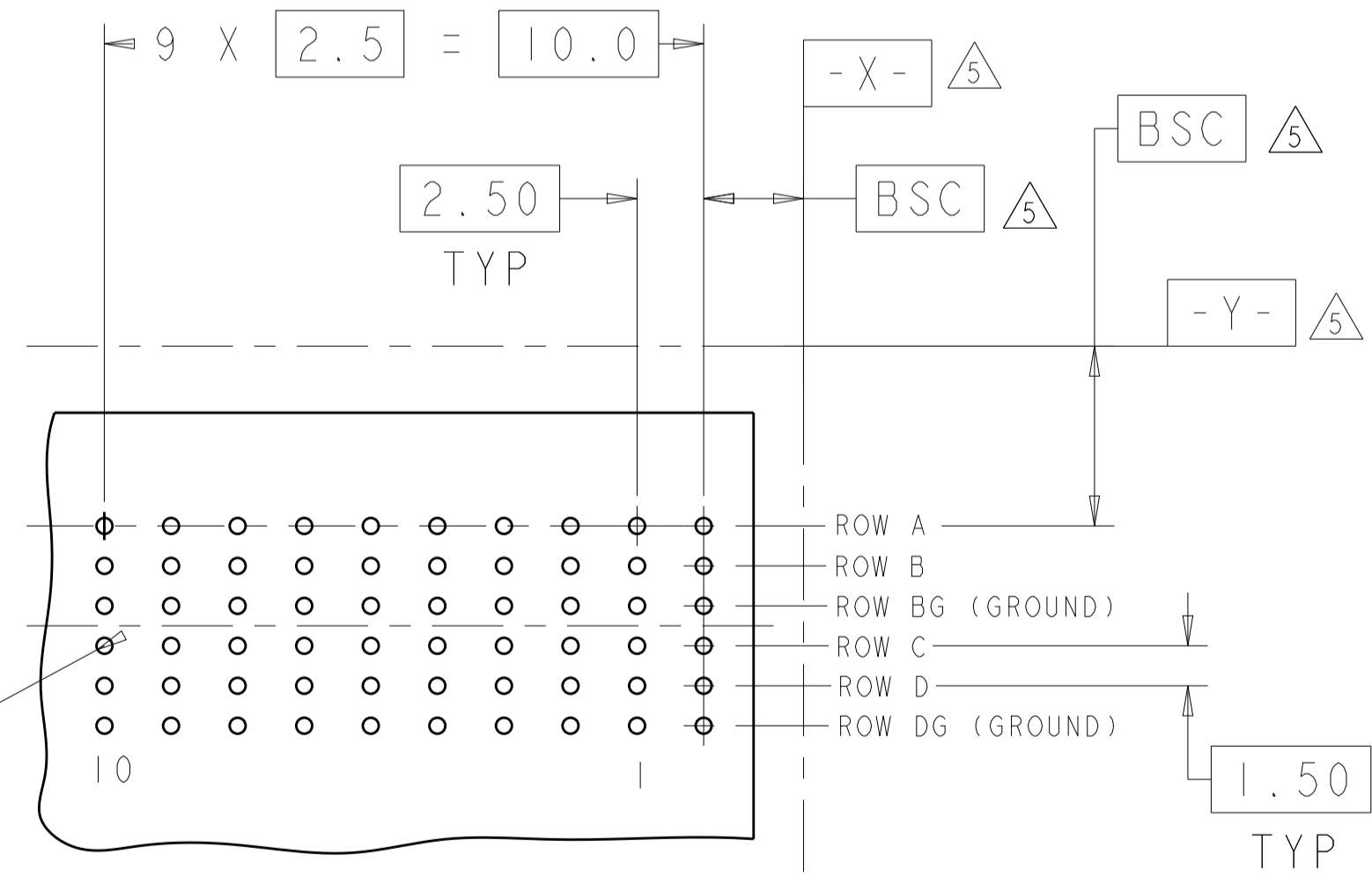
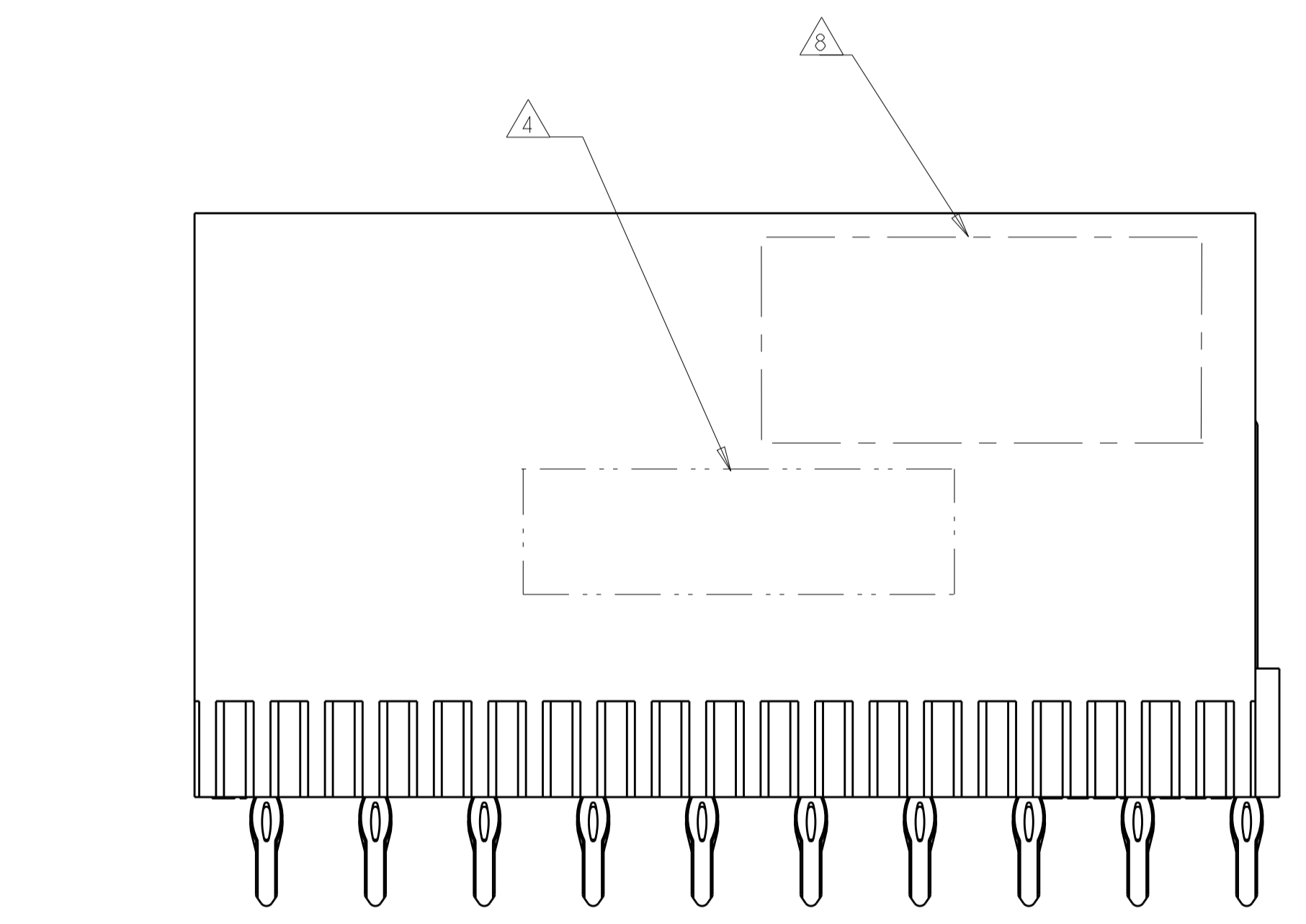
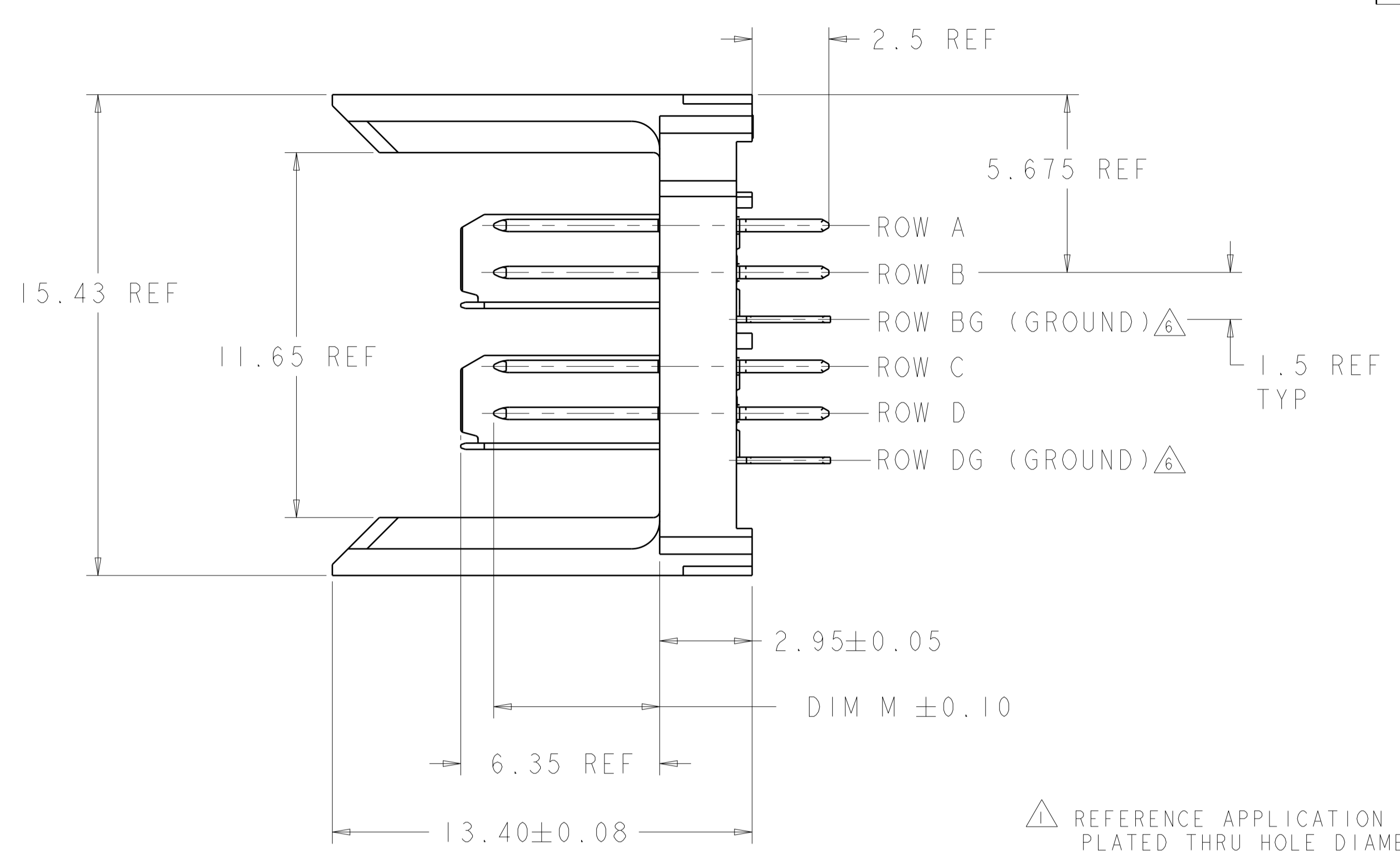
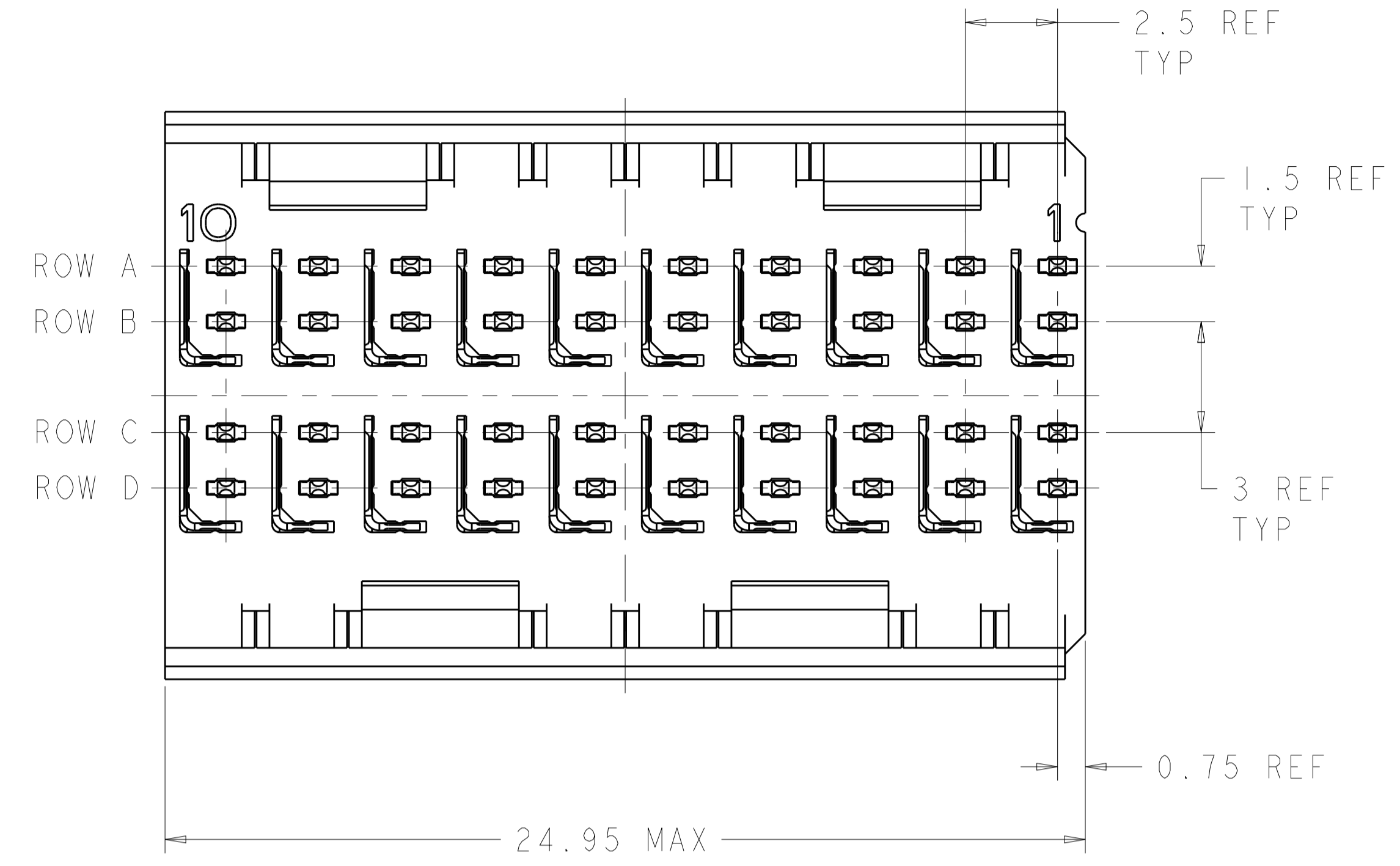


LOC		DIST		REVISIONS			
AD	00	P	LTN	DESCRIPTION	DATE	DWN	APVD
		E1		REVISED PER ECO-13-003342	04MAR2013	KH	MH
		F		REVISED PER ECO-18-018129	01OCT2019	AP	DS



⊕ ⌀0.05Ⓢ X Y  
 ALL PLATED THRU HOLES

RECOMMENDED PC BOARD LAYOUT, BACKPLANE, COMPONENT SIDE SHOWN  
 SCALE 4:1

- △ REFERENCE APPLICATION SPEC 114-13059 FOR RECOMMENDED PLATED THRU HOLE DIAMETER AND PLATING THICKNESSES.
- △ MATERIAL:  
 CONTACT AND SHIELD - PHOSPHOR BRONZE  
 HOUSING - GLASS FILLED POLYESTER, UL 94V-0.
- △ FINISH: SIGNAL AND GROUND CONTACTS:  
 MATING AREA: MEETS THE PERFORMANCE REQUIREMENTS OF PRODUCT SPECIFICATION 108-2055; BASED ON TELCORDIA GR-1217-CORE, APPLICATIONS IN UNCONTROLLED ENVIRONMENTS  
 COMPLIANT PIN AREA: 0.5µm MIN BRIGHT TIN-LEAD OVER BASE PLATING
- △ CONNECTOR MARKED WITH PART NUMBER AND DATE CODE.
- △ DATUMS AND BASIC DIMENSIONS ESTABLISHED BY CUSTOMER.
- △ THE TWO GROUNDS IN EACH COLUMN ARE COMMONED.
- 7. CONTACT AREA LUBRICATED WITH BELLCORE APPROVED LUBRICANT. TECHNICAL REFERENCE: GR-1217-CORE, ISSUE 1, NOVEMBER 1995.
- △ TE OR TE CONNECTIVITY LOGO IS LOCATED.

SUPERSEDED BY 6469025-2	3.80	1469025-2
	5.30	1469025-1
	DIM M	PART NUMBER

THIS DRAWING IS A CONTROLLED DOCUMENT.		DWN R.S.KLINE 11OCT2000	TE Connectivity
DIMENSIONS: mm		CHK R.PATTERSON 16AUG2007	
TOLERANCES UNLESS OTHERWISE SPECIFIED:		APVD N.SCHROLL 13SEP01	NAME HEADER ASSEMBLY, 2 PAIR, 2.5mm TAIL, 25mm, HMZd
0 PLC ±	1 PLC ±	PRODUCT SPEC	SIZE
2 PLC ±	3 PLC ±	APPLICATION SPEC	CAGE CODE DRAWING NO
4 PLC ±	ANGLES ±	WEIGHT	A100779C=1469025
MATERIAL	FINISH	CUSTOMER DRAWING	RESTRICTED TO
		SCALE 8:1	SHEET 1 OF 1 REV F