

**DESIGN/PROCESS CHANGE NOTIFICATION**

This is to inform you that a change is being made to the following products.

This is a minor change that has no impact on product quality, reliability, electrical or mechanical performance. Affected products will remain fully compliant to all published specifications. Notification is being made for informational purposes only and there is no approval required. Products incorporating this change may be shipped interchangeably with existing unchanged products.

Please contact your local Customer Quality Engineer if you have any questions regarding this notification. Alternatively, you may send an email request for information to [PCNSupport@fairchildsemi.com](mailto:PCNSupport@fairchildsemi.com).

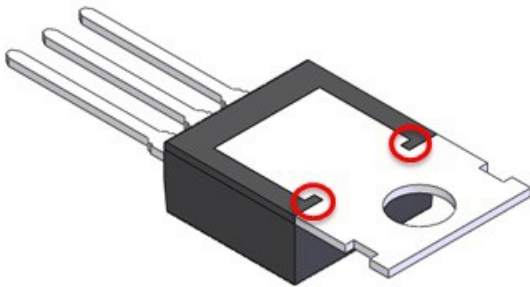
**Implementation of change:**

Expected First Shipment Date for Changed Product : Apr. 01, 2014

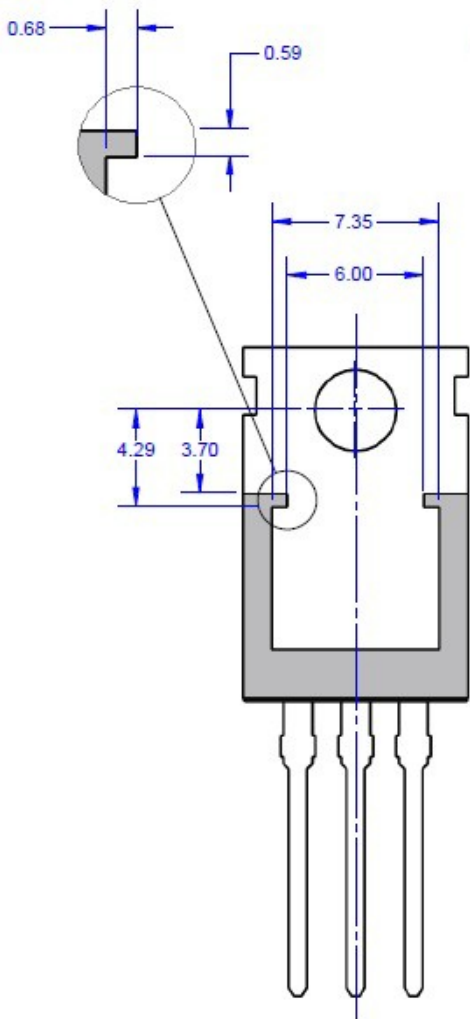
Expected First Date Code of Changed Product :1414

Description of Change (From) :

1. Current TO220 single gauge design
2. Heat sink copper neck width of 6.00mm

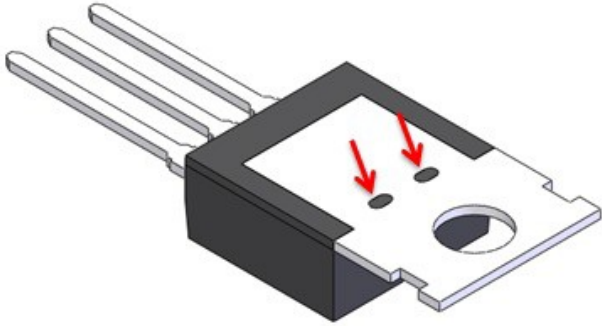


Dimension about change from  
unit:mm

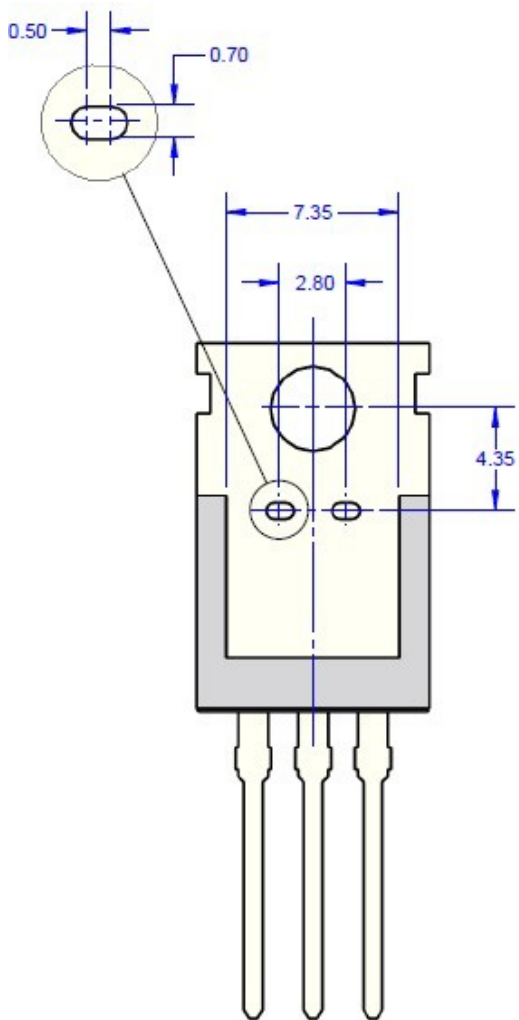


Description of Change (To) :

1. The addition of two oval holes on heat sink neck
2. Heat sink copper neck width enlarged to 7.36mm; total heat sink width not changed



Dimension about change to  
unit:mm



**Reason for Change:**

To improve the durability of heat sink adhesion during customer mechanical application

This change will not impact product electrical performance

**Affected Product(s):** Please refer to the list of affected products in the addendum attached in the PCN email you received. This list is based on an analysis of your company's procurement history.