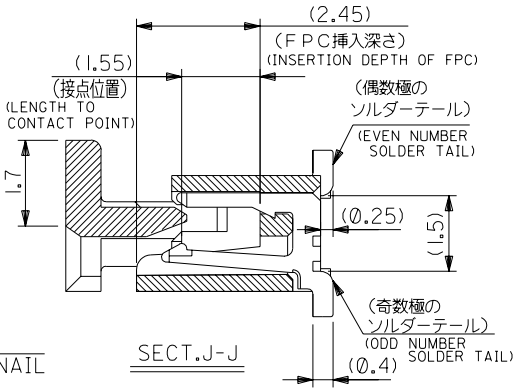
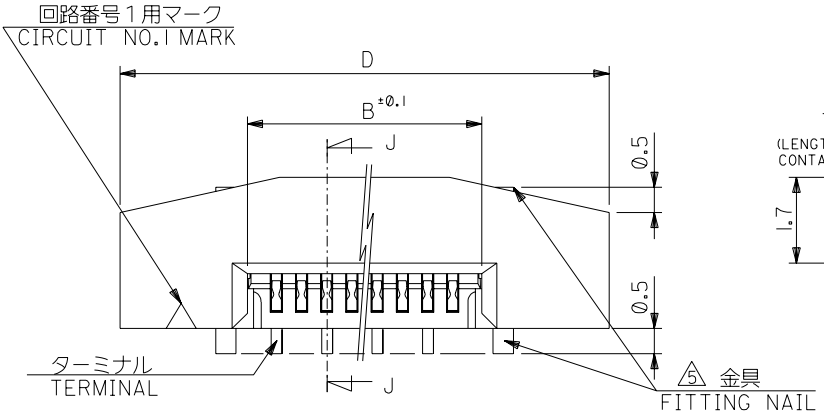
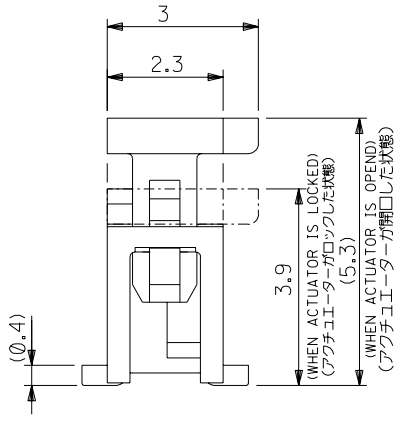
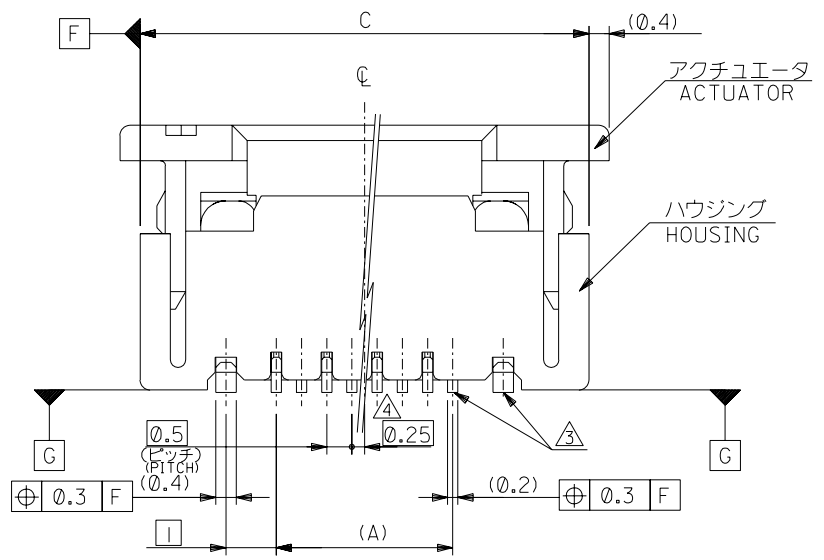


DWG. NO. SD-52559-044



注記 NOTES

- 使用材料: MATERIAL
 ハウジング :46NYLON UL94V-0
 アクチュエータ :PPS UL94V-0
 ターミナル :リン青銅、銅下地半田メッキ (t=0.2)
 PHOS-BRO.TIN-LEAD(9:1) 3~5 MICRON METER OVER COPPER 1~2.5 MICRON METER PLATED
 金具 :リン青銅、銅下地半田メッキ (t=0.4)
 FITTING NAIL PHOS-BRO.TIN-LEAD(9:1) 3~5 MICRON METER OVER COPPER 1~2.5 MICRON METER PLATED
- エンボステープ梱包時は、アクチュエータがロックした状態とする。
 IN THE PACKAGE,ACTUATOR OF PART NO.52559-17 SHOULD BE LOCKED.
 △ソルダータール半田付け面のズレ量、及び金具半田付け面のズレ量は、基準面 G に対し上方向 0.05 MAX.、下方向 0.15 MAX.とする。
 MISALIGNMENT OF SOLDER TAILS AND FITTING NAILS FROM G
 UPPER DIRECTION: 0.05 MAX. , LOWER DIRECTION: 0.15 MAX.
- 偶数種に適用。
 APPLY FOR EVEN CIRCUIT.
- パターンはくり止め用金具。
 FITTING NAIL FOR PREVENTION OF PEELING OF P.C.B. PATTERN.
- R0.3は、FPCの導体部にかからないこと。
 R0.3 MUST NOT BE OVERLAPPED TO PATTERN OF FPC.

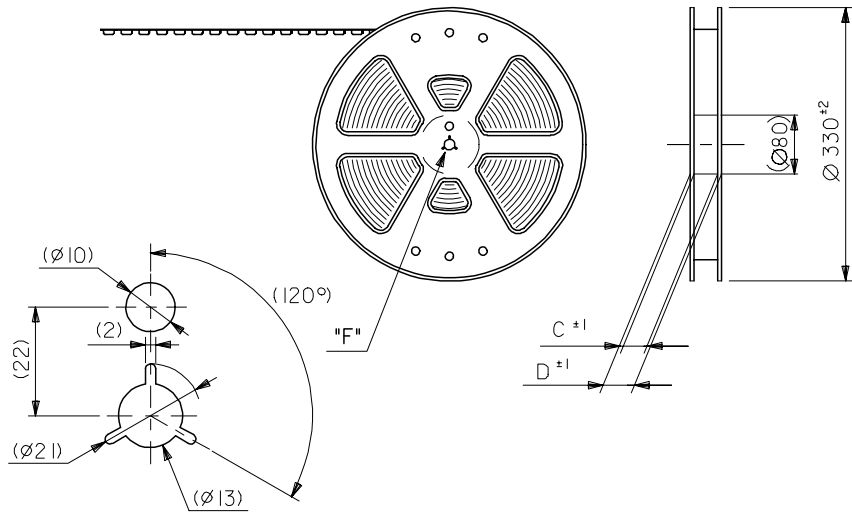


DO NOT SCALE DRAWING

164 NO. DRWN: CH'K: APPR: 163 NO. DRWN: CH'K: APPR: 162 NO. DRWN: CH'K: APPR: 161 NO. DRWN: CH'K: APPR:		REDRAWN 160 NO. J2003-2624 DRWN: K. TOJO CH'K: H. Saito APPR: H. Saito	MATERIAL 材料 注記参照 SEE NOTES	GENERAL TOLERANCES: (UNLESS SPECIFIED) 一般公差 10 UNDER 未満 ±0.2 10 OVER 30 UNDER 未満 ±0.25 30 OVER 以上 ±0.3 ANGLE 角度 ±3°	SCALE 1:1 DESIGN UNITS ①mm ②INCH DRAWN BY & DATE K. TOJO '03/04/17 CHECKED BY & DATE H. Saito '03/04/17 APPROVED BY & DATE H. Saito '03/04/17 CAD FILENAME SD-52559-044.S01	DIMENSIONS: ①mm ②INCH ③mm ONLY SHT 1 OF 2 REV B TITLE: 0.5 FPC Conn. Assy ZIF.
WIRE RANGE 適用層被覆範囲 INS. RANGE 被覆外径		DESCRIPTION ① ② ③	MOLEX MOLEX INCORPORATED		MATERIAL NO. 52559-17 DRAWING NO. SD-52559-044 SHEET NO. 1 OF 2 SIZE B	

SD-52559-044.S01

引き出し方向
PULL OUT
DIRECTION



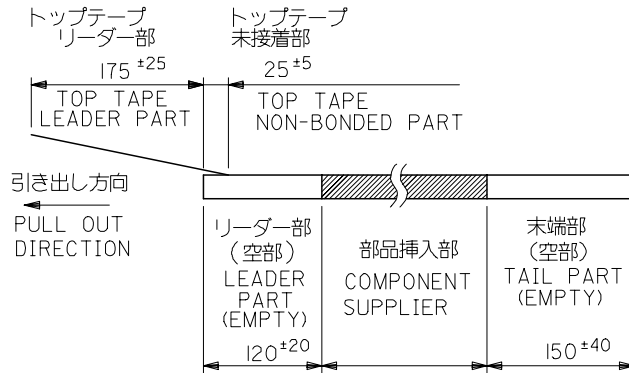
DETAIL "F"

5. 材料 キャリアテープ: ポリプロピレン (PP)
 トップテープ: PET, PE, PEF
 リール: ポリスチレン (PS) <リサイクル材を含む>

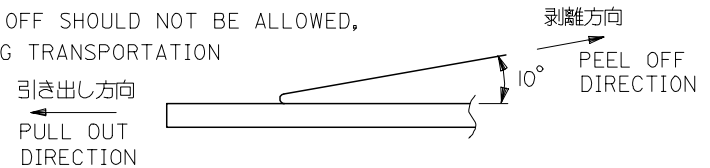
MATERIAL CARRIER TAPE: POLYPROPYLENE
 TOP TAPE: PET, PE, PEF
 REEL: POLYSTYRENE (PS)
 <RECYCLE MATERIAL CONTAINED>

注記 NOTES

- 製品番号 52559-***17 の梱包状態はアクチュエータがロックした状態とする。
 詳細寸法については図面 SD-52559-***17 を参照下さい。
 IN THE PACKAGE, ACTUATOR OF PART NO. 52559-***17 SHOULD BE LOCKED
 RE DETAILED DIMENSIONS, SEE SD-52559-***17
- 梱包数量: 1000個/リール
 NUMBER OF CONNECTORS: 1000PCS/REEL
- リードテープ長さ LEAD TAPE LENGTH



- トップテープの剥離強度: (剥離方向は下図参照)
 0.1N~0.7N (10.2gf~71.4gf) 尚、本規格値は、出荷時に適用。
 (但し、輸送時に剥離が発生しない事。)
 PEELING OFF FORCE OF TOP TAPE
 0.1N~0.7N (10.2gf~71.4gf) (PEELING DIRECTION AS SHOWN IN FOLLOWING FIG.)
 THIS REQUIREMENT SHOULD BE APPLIED AT SHIPMENT
 PEEL OFF SHOULD NOT BE ALLOWED,
 DURING TRANSPORTATION



REVISED EC NO: J2006-3700 DRWN: NABEI 2006/06/16 CHKD: KTOYODA 2006/06/19 APPR: NUKITA 2006/06/22	GENERAL TOLERANCES (UNLESS SPECIFIED)		DIMENSION STYLE MM ONLY	SCALE ---	52559-***90	MODEL NO.
	10 UNDER	± ---	DRAWN BY S. KAJINUMA	DATE '91/11/13	DESIGN UNITS METRIC	THIRD ANGLE PROJECTION
	10 OVER 30 UNDER	± ---	CHECKED BY S. KUNISHI	DATE '00/12/20	0.5 FPC CONN ASSY ZIF SMT ST EMBSTP PKG	
	30 OVER	± ---	APPROVED BY M. FUKUSHIMA	DATE '00/12/20	MOLEX INCORPORATED	
G	ANGULAR	± --- °	MATERIAL NO.	DOCUMENT NO.	SHEET NO.	
	DRAFT WHERE APPLICABLE MUST REMAIN WITHIN DIMENSIONS		SIZE A3	SEE CHART	SD-52559-051	1 OF 4
THIS DRAWING CONTAINS INFORMATION THAT IS PROPRIETARY TO MOLEX INCORPORATED AND SHOULD NOT BE USED WITHOUT WRITTEN PERMISSION						

10 9 8 7 6 5 4 3 2 1

F

E

D

C

B

A

F

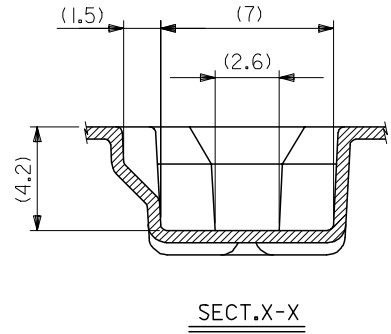
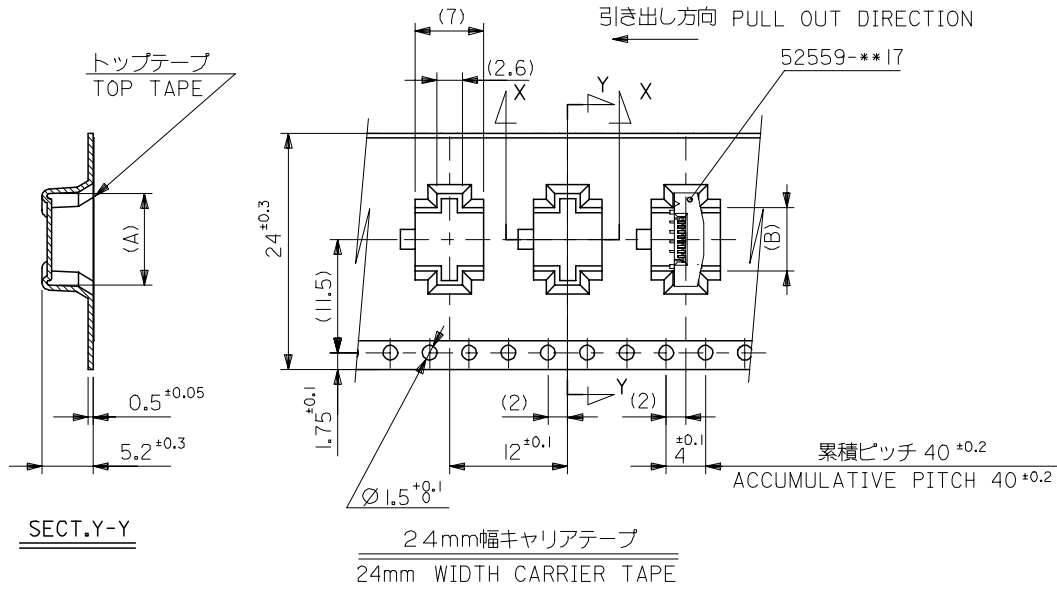
E

D

C

B

A



24	29.4	25.4	13.4	16.3	52559-2290	22
			12.4	15.3	52559-2090	20
			11.9	14.8	52559-1990	19
			11.4	14.3	52559-1890	18
			10.4	13.3	52559-1690	16
			9.9	12.8	52559-1590	15
			9.4	12.3	52559-1490	14
			8.9	11.8	52559-1390	13
			8.4	11.3	52559-1290	12
			7.9	10.8	52559-1190	11
6.4	9.3	52559-0890	8			
5.4	8.3	52559-0690	6			
キャリアテープ幅 CARRIER TAPE WIDTH	D	C	(B)	(A)	MATERIAL NO.	極数 CIRCUIT

REVISED EC NO: J2006-3700 DRWN: NABEI 2006/06/16 CHKD: KTOYODA 2006/06/19 APPR: NUKITA 2006/06/22	GENERAL TOLERANCES (UNLESS SPECIFIED)		DIMENSION STYLE MM ONLY		SCALE ---	DESIGN UNITS METRIC	THIRD ANGLE PROJECTION
	10 UNDER	± ---	DRAWN BY S. KAJINUMA		DATE '91/11/13	TITLE 0.5 FPC CONN ASSY ZIF SMT ST EMBSTP PKG	
	10 OVER 30 UNDER	± ---	CHECKED BY S. KUNISHI		DATE '00/12/20	MOLEX INCORPORATED	
	30 OVER	± ---	APPROVED BY M. FUKUSHIMA		DATE '00/12/20	DOCUMENT NO. SD-52559-051	
	ANGULAR	± --- °	MATERIAL NO. SEE CHART		DATE	SHEET NO. 2 OF 4	
DRAFT WHERE APPLICABLE MUST REMAIN WITHIN DIMENSIONS		SIZE A3		THIS DRAWING CONTAINS INFORMATION THAT IS PROPRIETARY TO MOLEX INCORPORATED AND SHOULD NOT BE USED WITHOUT WRITTEN PERMISSION			

10 9 8 7 6 5 4 3 2 1

F

E

D

C

B

A

F

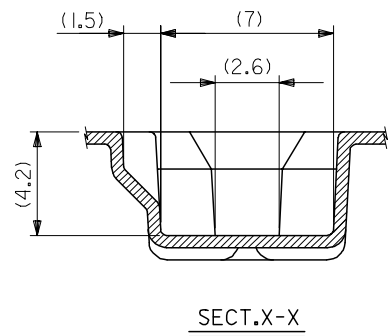
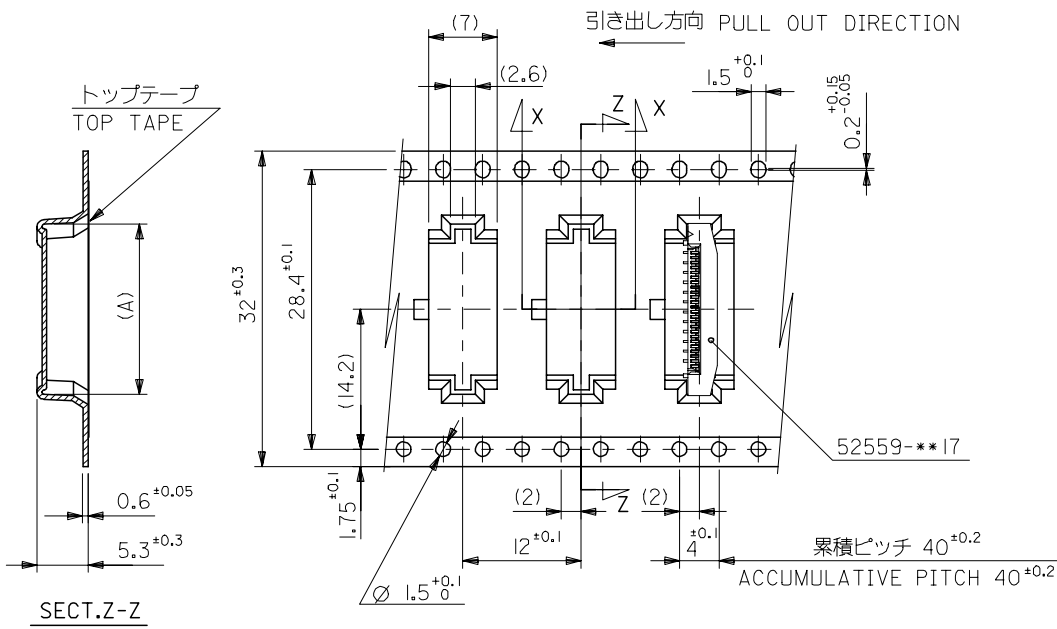
E

D

C

B

A



32mm幅キャリアテープ
32mm WIDTH CARRIER TAPE

32	37.4	33.4	18.9	21.8	52559-3390	33		
			18.4	21.3	52559-3290	32		
			17.4	20.3	52559-3090	30		
			16.4	19.3	52559-2890	28		
			15.4	18.3	52559-2690	26		
			14.9	17.8	52559-2590	25		
			14.4	17.3	52559-2490	24		
キャリアテープ幅 CARRIER TAPE WIDTH			D	C	(B)	(A)	MATERIAL NO.	極数 CIRCUIT

REVISED EC NO: J2006-3700 DRWN: NABEI 2006/06/16 CHKD: KTOYODA 2006/06/19 APPR: NUKITA 2006/06/22 G REV	GENERAL TOLERANCES (UNLESS SPECIFIED)		DIMENSION STYLE MM ONLY		SCALE ---	DESIGN UNITS METRIC	THIRD ANGLE PROJECTION	
	10 UNDER	± ---	DRAWN BY S. KAJINUMA		DATE '91/11/13	TITLE 0.5 FPC CONN ASSY ZIF SMT ST EMBSTP PKG		
	10 OVER 30 UNDER	± ---	CHECKED BY S. KUNISHI		DATE '00/12/20	MATERIAL NO. SD-52559-051		
	30 OVER	± ---	APPROVED BY M. FUKUSHIMA		DATE '00/12/20	SHEET NO. 3 OF 4		
	ANGULAR	± --- °	DRAFT WHERE APPLICABLE MUST REMAIN WITHIN DIMENSIONS		SEE CHART		MOLEX INCORPORATED	

10 9 8 7 6 5 4 3 2 1

F

E

D

C

B

A

F

E

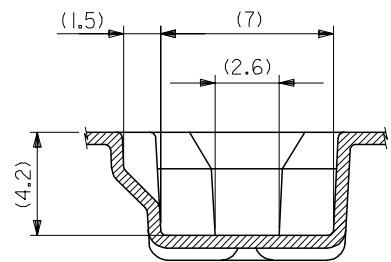
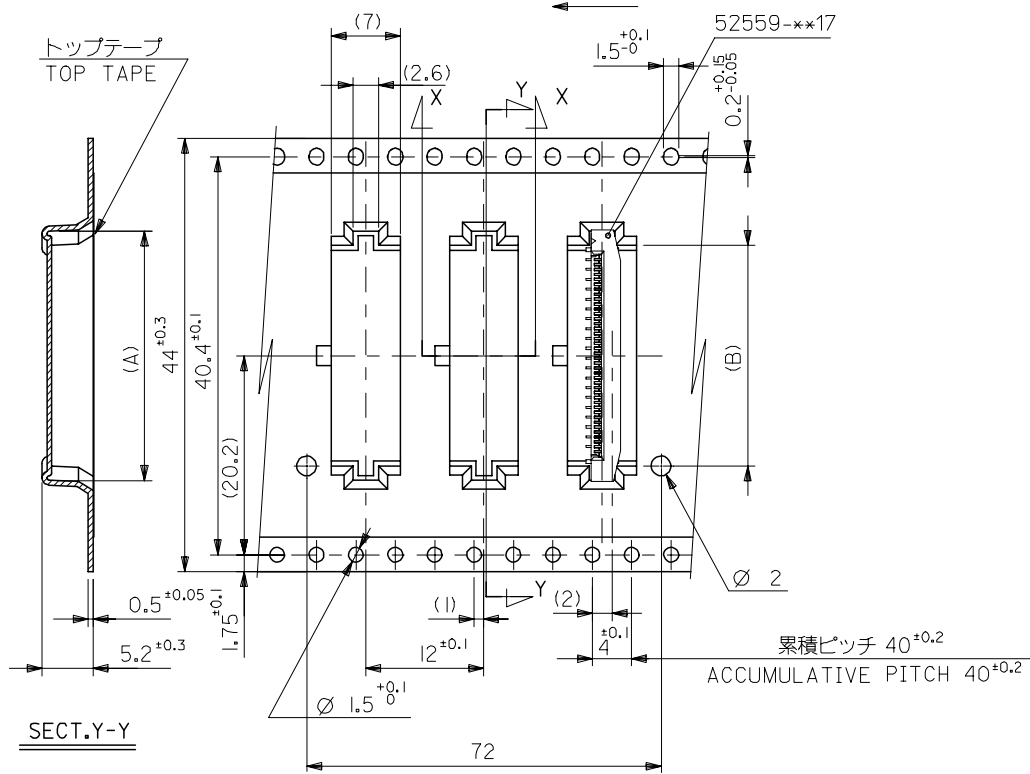
D

C

B

A

引き出し方向 PULL OUT DIRECTION



SECT.X-X

44mm幅キャリアテープ
44mm WIDTH CARRIER TAPE

44	49.4	45.4	22.4	25.3	52559-4090	40
			20.4	23.3	52559-3690	36
キャリアテープ幅 CARRIER TAPE WIDTH			D	C	(B)	(A)
					MATERIAL NO.	CIRCUIT NO.

REVISED EC NO: J2006-3700 DRWN: NABE 2006/06/16 CHKD: TOYODA 2006/06/19 APPR: NUKITA 2006/06/22	GENERAL TOLERANCES (UNLESS SPECIFIED)	
	10 UNDER	± ---
	10 OVER 30 UNDER	± ---
	30 OVER	± ---
	ANGULAR	± --- °
DRAFT WHERE APPLICABLE MUST REMAIN WITHIN DIMENSIONS		
G	REV	

DIMENSION STYLE MM ONLY		SCALE ---	DESIGN UNITS METRIC	THIRD ANGLE PROJECTION	
DRAWN BY S. KAJINUMA	DATE '91/11/13	TITLE 0.5 FPC CONN ASSY ZIF SMT ST EMBSTP PKG			
CHECKED BY S. KUNISHI	DATE '00/12/20	APPROVED BY M. FUKUSHIMA			
MATERIAL NO.		DOCUMENT NO. SD-52559-051		SHEET NO. 4 OF 4	
SIZE A3		THIS DRAWING CONTAINS INFORMATION THAT IS PROPRIETARY TO MOLEX INCORPORATED AND SHOULD NOT BE USED WITHOUT WRITTEN PERMISSION			