

## Product Change Notification

(Notification – P2007039-DIG)

(MCP-AC-20-0006)

July 15, 2020

**To:** *Our Valued Digi-Key Electronics Customer*

**Overview:** The purpose of this notification is to communicate a product change of select Renesas Electronics America, Inc. (REA) devices.

This notification announces the following assembly changes for selected RL78 devices in the HWQFN package. Please see the Appendix for additional details on all changes.

1. Bond Wire Change from Gold (Au) to Copper (Cu)
2. Lead Frame, Die Mount Material, & Mold Resin Material Change
3. Assembly Site & Sorting Site Change
4. Package Outline Change
5. Marking Change
6. Packing Material Change (tray and tape & reel)
7. Storage Condition Change (after opening)

There is a change to the part number. There is no change to electrical characteristics or product reliability.

**Affected Products:** A review of our records indicates the list of products in Appendix X may affect your company.

Part numbers given in this list are for active part numbers in REA database at the time of this notification.

**Key Dates:**

Shipments from REA of replacement devices begins.	September 1, 2020
Final last time buy (LTB) orders of original part number placed to REA or to a franchised REA distributor.	June 15, 2021
Planned date for last time shipment (LTS) from REA.	December 31, 2021

**Response:** Please place last time buy (LTB) orders in a timely manner prior to the key dates listed to avoid product availability issues. If you anticipate volumes beyond your regular rate, please contact your REA sales representative with a forecast of your requirements. Shipments between the LTB and LTS dates are Non-Cancelable and Non-Returnable (NCNR).

Any order resulting from this notice shall be governed by Renesas' General Terms and Conditions of Sale (<https://www.renesas.com/us/en/legal/terms-and-conditions.html>). Renesas will attempt to honor all such purchase orders and scheduled delivery dates, but reserves the right to not accept new orders or to cancel existing orders if such orders cannot be filled through reasonable commercial effort.

You are encouraged to begin qualification and conversion to the replacement device as soon as possible to avoid any supply disruptions.

Please contact your REA sales representative for any questions or comments. Thank you for your attention.

Sincerely,

Renesas Electronics America, Inc.

## Appendix A: Change Summary

Item		Current		New (After Change)
Assembly Site		Amkor Technology Japan Kumamoto	Amkor Technology Japan Hakodate	Greatek Electronics Inc. (Powertech Technology Inc., Group)
Sorting Site		Amkor Technology Japan Kumamoto		King Yuan Electronics Corp
Package Outline		-	-	Changed
Parts	Lead Frame	-		Changed
	Die Mount	Ag Epoxy Paste A	Ag Epoxy Paste B	Ag Epoxy Paste C
	Bonding Wire	Au	Cu (Pd Coating)	Cu (Pd Coating)
	Mold Resin	Mold Resin A	Mold Resin B	Mold Resin C
Marking	Font	-		Changed
	Manufacturing Lot Number	9 Digits		7 Digits
	Country of Origin	Indicated	No Indication	No Indication
Packing	Tray	-		Changed (except 6x6)
	Bundling Band Color	Multiple Colors		Add Black
	Emboss Tape	-		Changed
Storage Condition (After Opening)		Within 30°C / 70%RH / 168h		Within 30°C / 60%RH / 168h

## Appendix B: 4M Changing Points

Item	Check result	Judgement
Machine	Changing at assembly and sorting. The machines are equivalent to present machines. To prevent copper wire oxidization, inert gas is used to wire bonding process. There are production results of copper wire products in the new site, and we have already checked there is no risk at the start of this product's production.	No Risk
Method	Bonding method (thermosonic bonding) and process flow for the Cu wiring are same as the Au wiring.	No Risk
Man	Using operator certification system. Only certificated operator can work for the production.	No Risk
Material	Using only certificated copper wire. And applying certificated lead frame, die attach epoxy and mold compound for copper wire products. The product has been certificated by reliability test same as gold wire products and have no risk.	No Risk

### Appendix C: Integration of G12 Revision

The G12 product revision for eliminating the restrictions on the LS (low-speed main) mode is integrated into the new replacement part numbers. This change was originally announced in February 2016 on REA Product Change Notification P1602013 (MEPM-AC-15-0009).

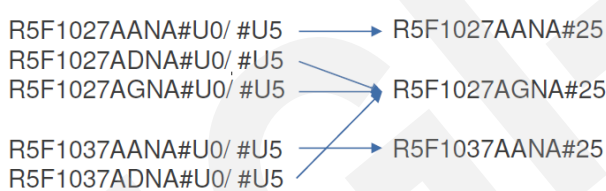
For additional information about elimination of the restrictions on the LS (low-speed main) mode, please see Renesas Technical Update Document TN-RL\*-A012C/E.

### Appendix D: Integration of Part Numbers for Industrial Applications

Part Numbers for industrial applications will also be integrated as part of this change. Below are examples of the change.

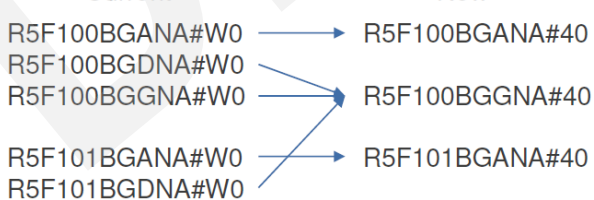
1. For G12 Products:
  - G12 revision integrated into replacement part number
  - D-Version integrated into G-Version
  - Tray Packing: #U0 / #U5 → #25
  - Embossed Tape: #W0 / #W5 → #45

Example: G2 16kB Flash ROM Tray packed P/N



2. For All Other (non G12) Products
  - D-Version integrated into G-Version
  - Tray Packing: #U0 → #20
  - Embossed Tape: #W0 → #40

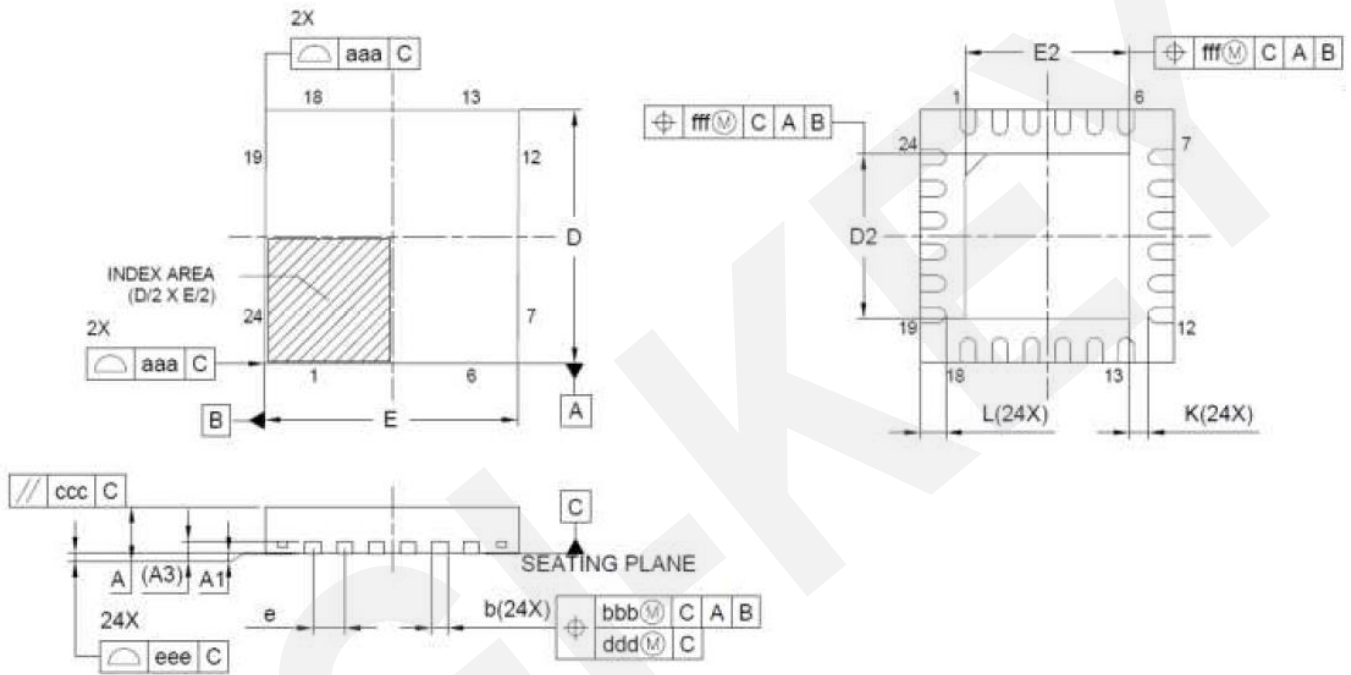
Example: G13 32pin 128kB Flash ROM Embossed Tape P/N



### Appendix E: 4x4mm 24pin HWQFN Package Drawing

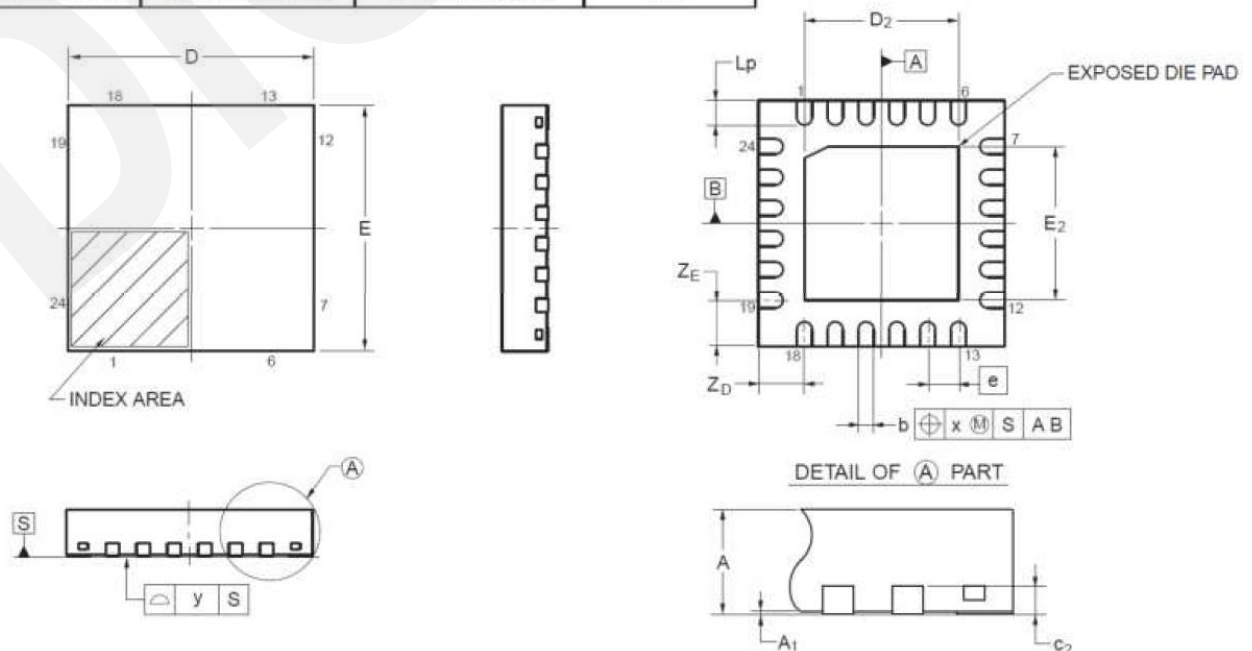
#### New Package

JEITA Package code	RENESAS code	MASS(TYP.)[g]
P-HWQFN024-4x4-0.50	PWQN0024KF-A	0.04



#### Current Package

JEITA Package code	RENESAS code	Previous code	MASS(TYP.)[g]
P-HWQFN24-4x4-0.50	PWQN0024KE-A	P24K8-50-CAB-3	0.04



### Appendix E (cont): 4x4mm 24pin HWQFN Package Drawing

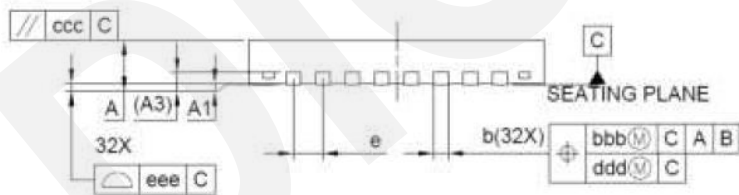
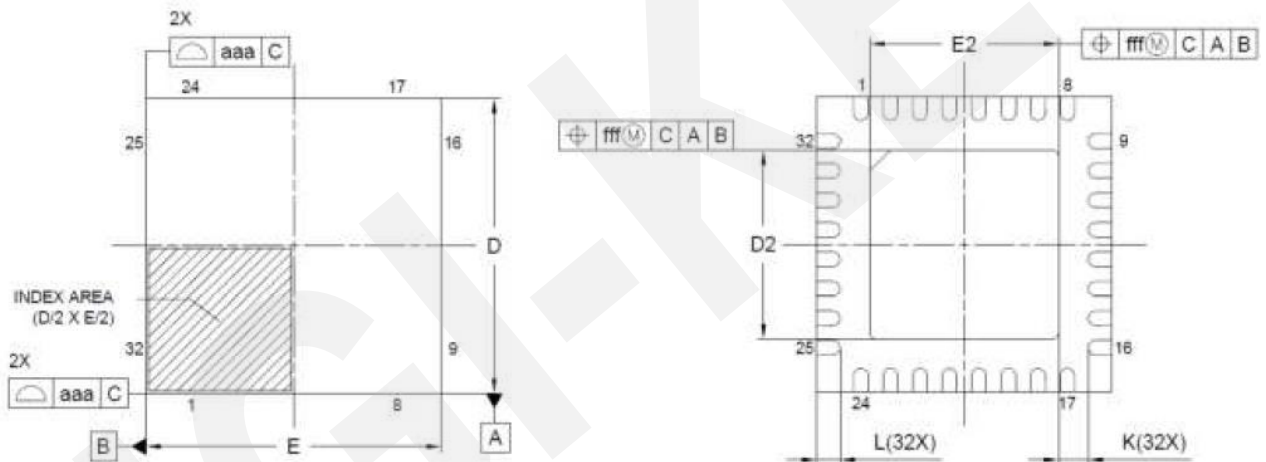
Dimension Comparison (JEDEC notation used instead of the conventional notation.)

New Symbol	4x4mm 24pin HWQFN			Current Symbol	4x4mm 24pin HWQFN		
	Dimension in Millimeters				Dimension in Millimeters		
	Min	Nom	Max		Min	Nom	Max
A	-	-	0.80	A	-	-	0.80
A1	0.00	0.02	0.05	A1	0.00	-	-
A3	0.203 REF.			C2	0.15	0.20	0.25
b	0.18	0.25	0.30	b	0.18	0.25	0.30
D	4.00 BSC			E	3.95	4.00	4.05
E	4.00 BSC			D	3.95	4.00	4.05
e	0.50 BSC			e	-	0.50	-
L	0.35	0.40	0.45	Lp	0.30	0.40	0.50
K	0.20	-	-	-	-	-	-
D2	2.55	2.60	2.65	E2	-	2.50	-
E2	2.55	2.60	2.65	D2	-	2.50	-
-	-	-	-	ZD	-	0.75	-
-	-	-	-	ZE	-	0.75	-
aaa	0.15			-	-	-	-
bbb	0.10			x	-	-	0.05
ccc	0.10			-	-	-	-
ddd	0.05			-	-	-	-
eee	0.08			y	-	-	0.05
fff	0.10			-	-	-	-

### Appendix F: 5x5mm 32pin HWQFN Package Drawing

New Package

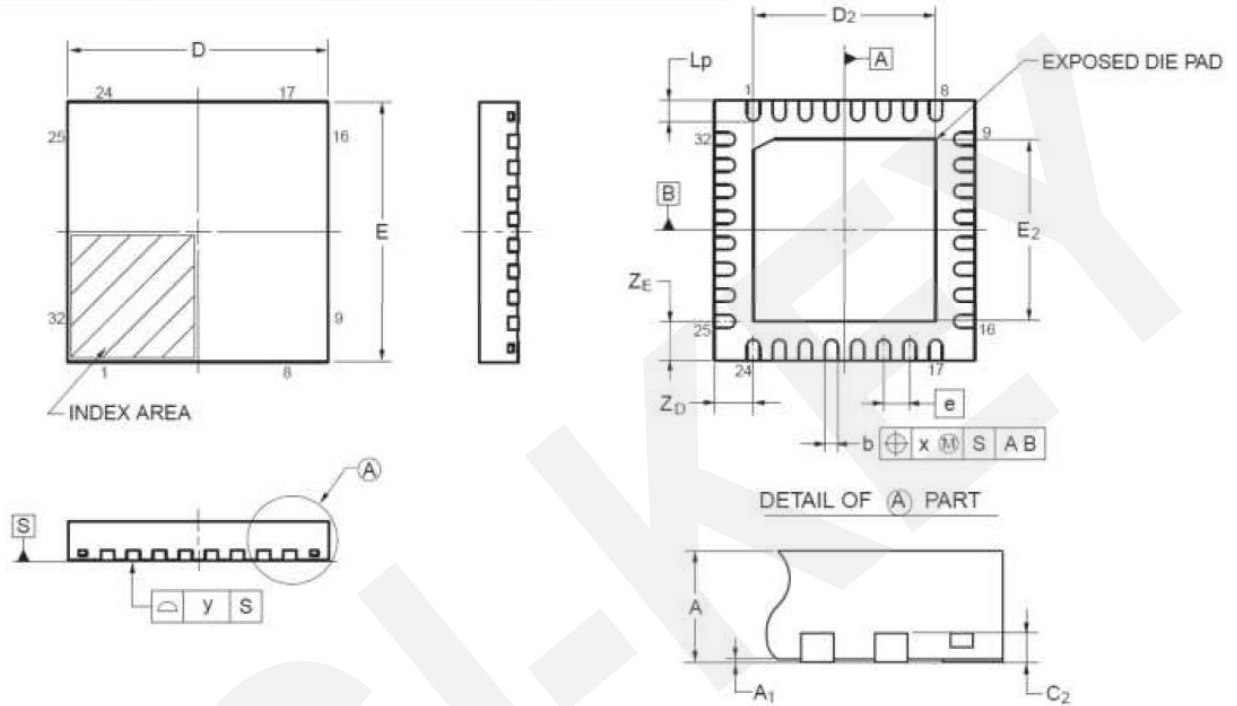
JEITA Package code	RENESAS code	MASS(TYP.) [g]
P-HWQFN032-5x5-0.50	PWQN0032KE-A	0.06



### Appendix F (cont.): 5x5mm 32pin HWQFN Package Drawing

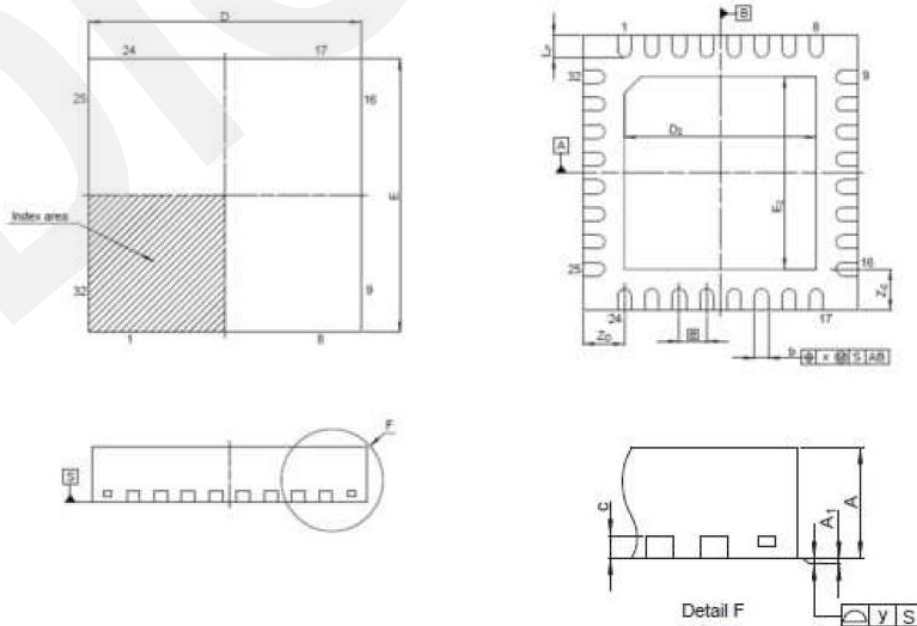
Current Package (ATJ Kumamoto)

JEITA Package code	RENESAS code	Previous code	MASS (TYP.)[g]
P-HWQFN32-5x5-0.50	PWQN0032KB-A	P32K8-50-3B4-5	0.06



Current Package (ATJ Hakodate)

JEITA Package Code	RENESAS Code	Previous Code	MASS (Typ) [g]
P-HVQFN32-5x5-0.50	PVQN0032KF-A	—	0.05



## Appendix F (cont.): 5x5mm 32pin HWQFN Package Drawing

Dimension Comparison (JEDEC notation used instead of the conventional notation.)

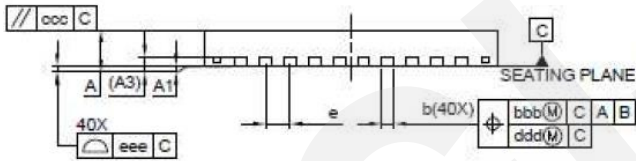
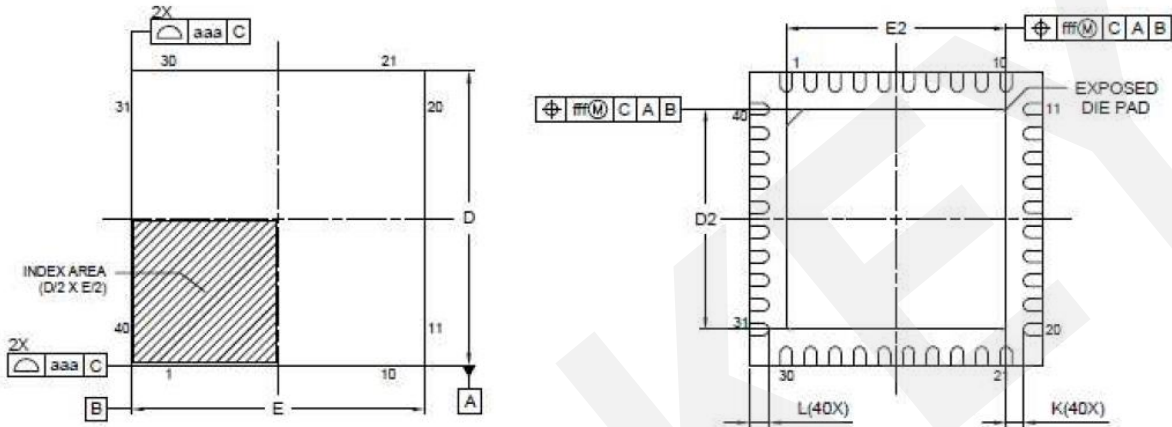
New Symbol	5x5mm 32pin HWQFN PWQN0032KE-A			Current Symbol	Kumamoto : 5x5mm 32pin HWQFN PWQN0032KB-A			Hakodate : 5x5mm 32pin HWQFN PVQN0032KF-A		
	Dimension in Millimeters				Dimension in Millimeters			Dimension in Millimeters		
	Min	Nom	Max		Min	Nom	Max	Min	Nom	Max
A	-	-	0.80	A	-	-	0.80	-	-	1.00
A1	0.00	0.02	0.05	A1	0.00	-	-	0.00	-	-
A3	0.203 REF.			C2	0.15	0.20	0.25	-	0.20	-
b	0.18	0.25	0.30	b	0.18	0.25	0.30	0.20	0.25	0.30
D	5.00 BSC			E	4.95	5.00	5.05	4.90	5.00	5.10
E	5.00 BSC			D	4.95	5.00	5.05	4.90	5.00	5.10
e	0.50 BSC			e	-	0.50	-	-	0.50	-
L	0.35	0.40	0.45	Lp	0.30	0.40	0.50	0.30	0.40	0.50
K	0.20	-	-	-	-	-	-	-	-	-
D2	3.15	3.20	3.25	E2	-	3.50	-	-	3.50	-
E2	3.15	3.20	3.25	D2	-	3.50	-	-	3.50	-
-	-	-	-	ZD	-	0.75	-	-	0.75	-
-	-	-	-	ZE	-	0.75	-	-	0.75	-
aaa	0.15			-	-	-	-	-	-	-
bbb	0.10			x	-	-	0.05	-	-	0.05
ccc	0.10			-	-	-	-	-	-	-
ddd	0.05			-	-	-	-	-	-	-
eee	0.08			y	-	-	0.05	-	-	0.05
fff	0.10			-	-	-	-	-	-	-



### Appendix G: 6x6mm 40pin HWQFN Package Drawing

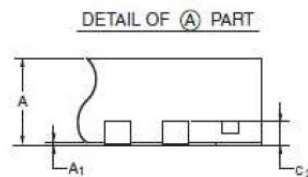
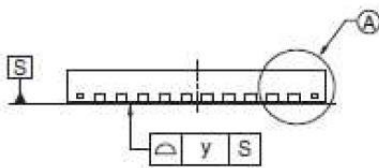
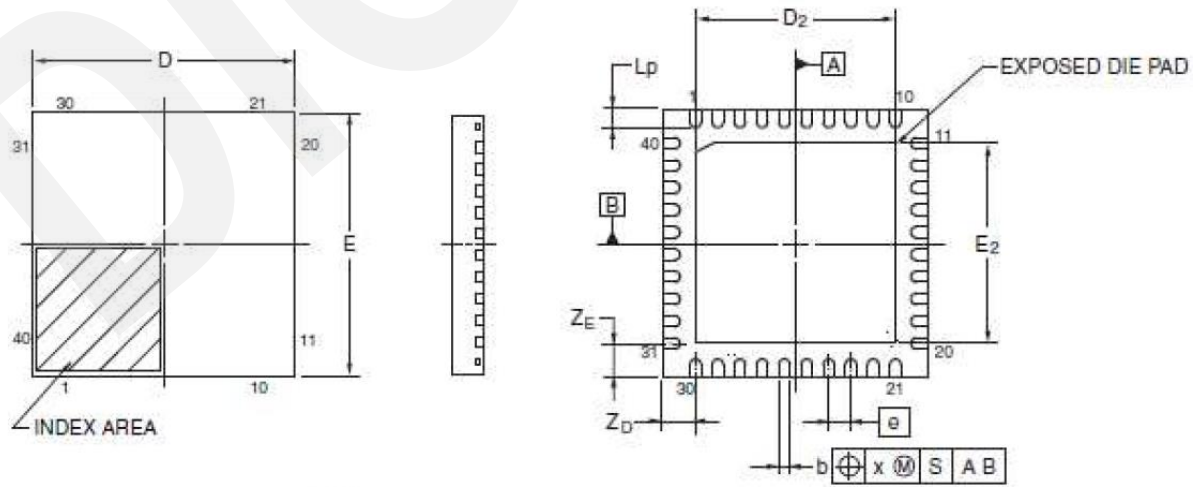
#### New Package

JEITA Package code	RENESAS code	MASS(TYP.)(g)
P-HWQFN040-6x6-0.50	PWQN0040KD-A	0.08



#### Current Package

JEITA Package code	RENESAS code	Previous code	MASS(TYP.)(g)
P-HWQFN040-6x6-0.50	PWQN0040KC-A	P40K8-50-4B4-5	0.09



### Appendix G (cont.): 6x6mm 40pin HWQFN Package Drawing

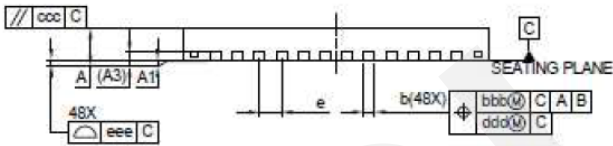
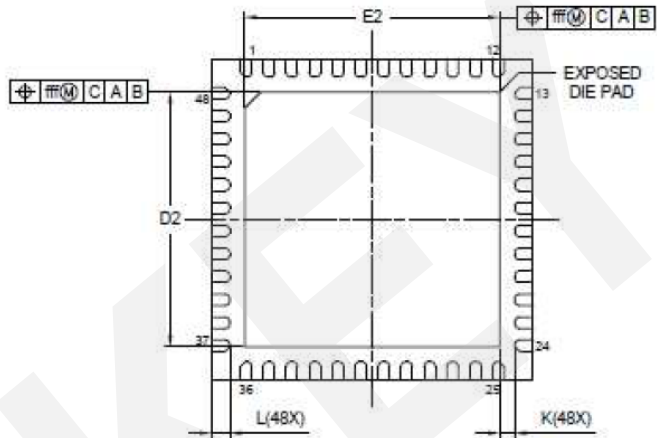
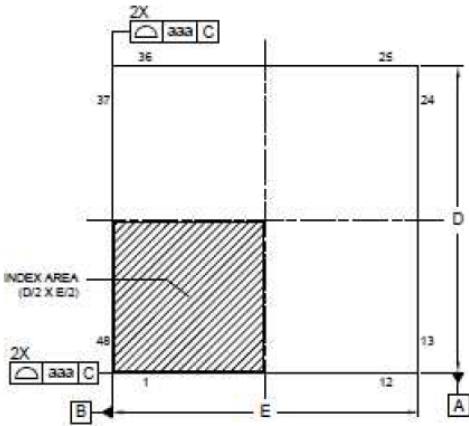
Dimension Comparison (JEDEC notation used instead of the conventional notation.)

New Symbol	6x6mm 40pin HWQFN			Current Symbol	6x6mm 40pin HWQFN		
	Dimension in Millimeters				Dimension in Millimeters		
	Min	Nom	Max		Min	Nom	Max
A	-	-	0.80	A	-	-	0.80
A1	0.00	0.02	0.05	A1	0.00	-	-
A3	0.203 REF.			C2	0.15	0.20	0.25
b	0.18	0.25	0.30	b	0.18	0.25	0.30
D	6.00 BSC			E	5.95	6.00	6.05
E	6.00 BSC			D	5.95	6.00	6.05
e	0.50 BSC			e	-	0.50	-
L	0.30	0.40	0.50	Lp	0.30	0.40	0.50
K	0.20	-	-	-	-	-	-
D2	4.45	4.50	4.55	E2	-	4.50	-
E2	4.45	4.50	4.55	D2	-	4.50	-
-	-	-	-	ZD	-	0.75	-
-	-	-	-	ZE	-	0.75	-
aaa	0.15			-	-	-	-
bbb	0.10			x	-	-	0.05
ccc	0.10			-	-	-	-
ddd	0.05			-	-	-	-
eee	0.08			y	-	-	0.05
fff	0.10			-	-	-	-

## Appendix H: 7x7mm 48pin HWQFN Package Drawing

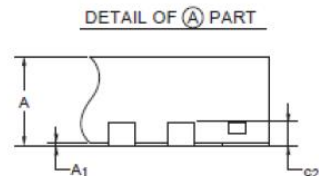
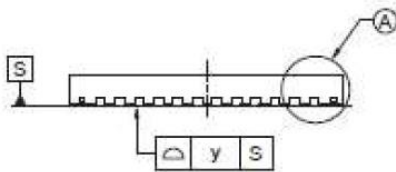
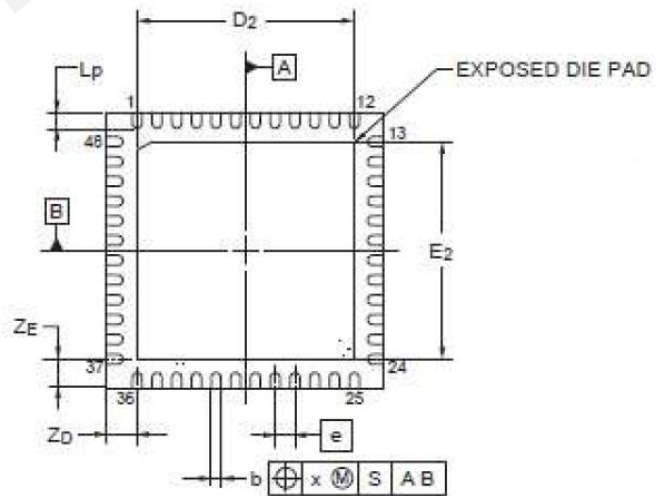
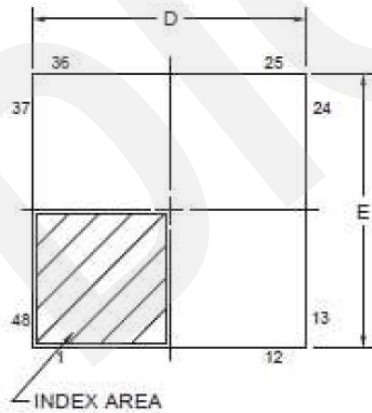
### New Package

JEITA Package code	RENESAS code	MASS(TYP.)[g]
P-HWQFN048-7x7-0.50	PWQN0048KE-A	0.13



### Current Package

JEITA Package Code	RENESAS Code	Previous Code	MASS (Typ) [g]
P-HWQFN48-7x7-0.50	PWQN0048KB-A	48PJN-A P48K8-50-5B4-7	0.13



### Appendix H (cont.): 7x7mm 48pin HWQFN Package Drawing

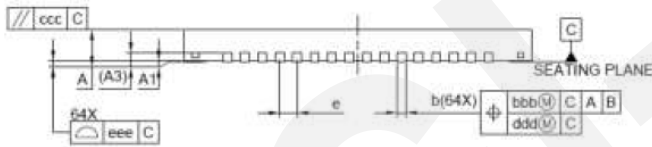
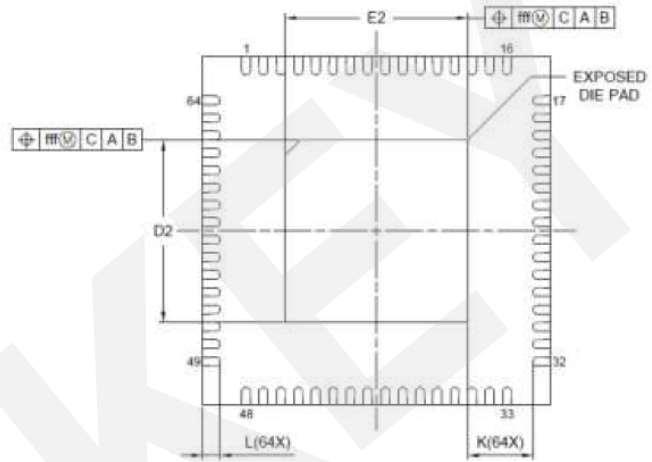
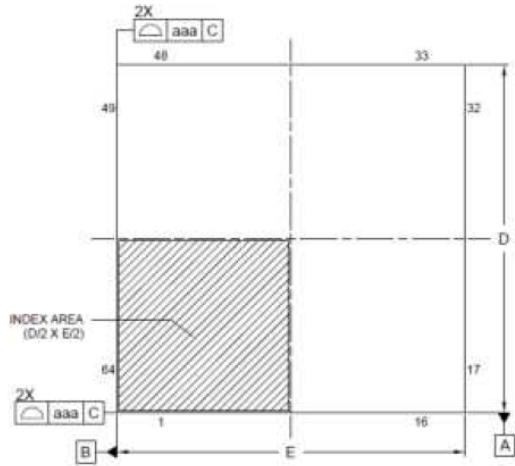
Dimension Comparison (JEDEC notation used instead of the conventional notation.)

New Symbol	7x7mm 48pin HWQFN			Current Symbol	7x7mm 48pin HWQFN		
	Dimension in Millimeters				Dimension in Millimeters		
	Min	Nom	Max		Min	Nom	Max
A	-	-	0.80	A	-	-	0.80
A1	0.00	0.02	0.05	A1	0.00	-	-
A3	0.203 REF.			C2	0.15	0.20	0.25
b	0.20	0.25	0.30	b	0.18	0.25	0.30
D	7.00 BSC			E	6.95	7.00	7.05
E	7.00 BSC			D	6.95	7.00	7.05
e	0.50 BSC			e	-	0.50	-
L	0.30	0.40	0.50	Lp	0.30	0.40	0.50
K	0.20	-	-	-	-	-	-
D2	5.50	5.55	5.60	E2	-	5.50	-
E2	5.50	5.55	5.60	D2	-	5.50	-
-	-	-	-	ZD	-	0.75	-
-	-	-	-	ZE	-	0.75	-
aaa	0.15			-	-	-	-
bbb	0.10			x	-	-	0.05
ccc	0.10			-	-	-	-
ddd	0.05			-	-	-	-
eee	0.08			y	-	-	0.05
fff	0.10			-	-	-	-

### Appendix I: 8x8mm 64pin HWQFN Package Drawing

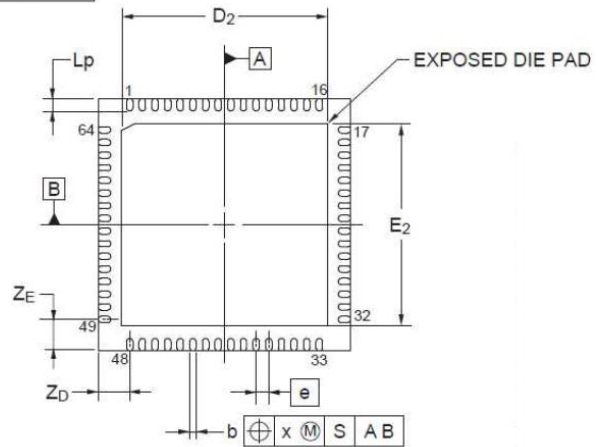
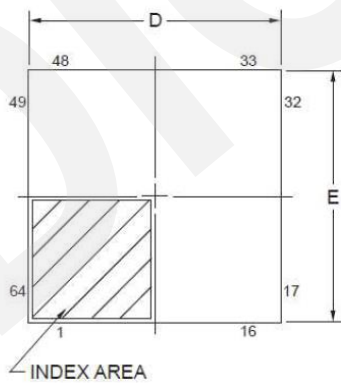
#### New Package

JEITA Package code	RENESAS code	MASS(TYP.)[g]
P-HWQFN064-8x8-0.40	PWQN0064LB-A	0.18

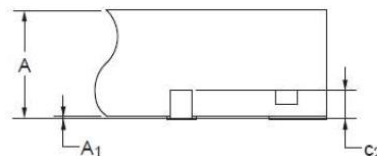
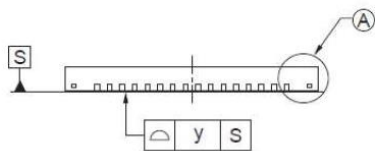


#### Current Package

JEITA Package Code	RENESAS Code	Previous Code	MASS (Typ) [g]
P-HWQFN64-8x8-0.40	PWQN0064LA-A	P64K8-40-9B5-4	0.16



DETAIL OF (A) PART



### Appendix I (cont.): 8x8mm 64pin HWQFN Package Drawing

Dimension Comparison (JEDEC notation used instead of the conventional notation.)

New Symbol	8x8mm 64pin HWQFN PWQN0064??-A			Current Symbol	8x8mm 64pin HWQFN PWQN0064LA-A		
	Dimension in Millimeters				Dimension in Millimeters		
	Min	Nom	Max		Min	Nom	Max
A	-	-	0.80	A	-	-	0.80
A1	0.00	0.02	0.05	A1	0.00	-	-
A3	0.203 REF.			C2	0.15	0.20	0.25
b	0.20	0.25	0.30	b	0.18	0.25	0.30
D	8.00 BSC			E	7.95	8.00	8.05
E	8.00 BSC			D	7.95	8.00	8.05
e	0.40 BSC			e	-	0.40	-
L	0.30	0.40	0.50	Lp	0.30	0.40	0.50
K	0.20	-	-	-	-	-	-
D2	4.15	4.20	4.25	E2	-	6.50	-
E2	4.15	4.20	4.25	D2	-	6.50	-
-	-	-	-	ZD	-	1.00	-
-	-	-	-	ZE	-	1.00	-
aaa	0.10			-	-	-	-
bbb	0.07			x	-	-	0.05
ccc	0.10			-	-	-	-
ddd	0.05			-	-	-	-
eee	0.08			y	-	-	0.05
fff	0.10			-	-	-	-

**Appendix J: Appearance Change**

Example of 4x4mm 24pin comparison with ATJ Kumamoto (character is reference example).

	Package surface	Package back	Package side
New			
Current			

Example of 5x5mm 32pin comparison with ATJ Hakodate (character is reference example).

	Package surface	Package back	Package side
New			
Current			







**Appendix K: Laser Mark Visibility Change**

Comparison with ATJ Kumamoto (character is reference example).

Assembly site	New	Current
Whole Photo		
Detail Photo		

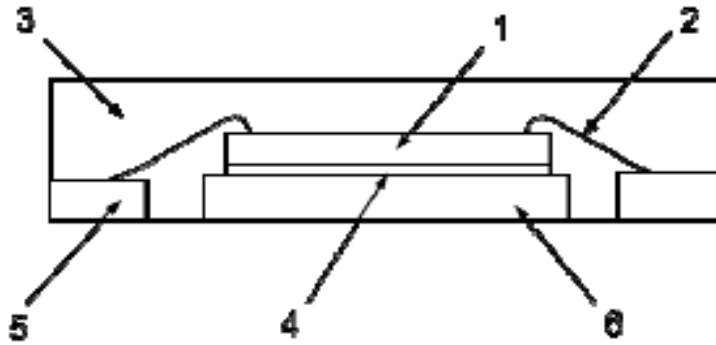
Comparison with ATJ Hakodate (character is reference example).

Assembly site	New	Current
Whole Photo		
Detail Photo		



Appendix L: Package Structure Image

Package section and die pad shape is a reference example.



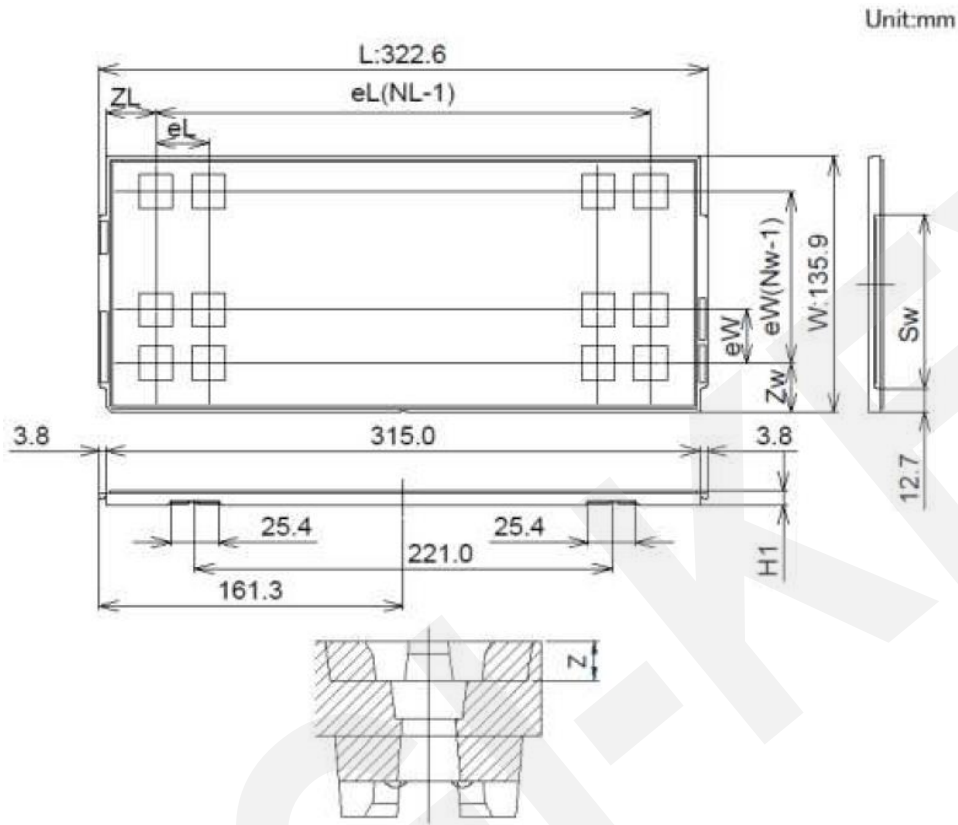
No.	部材 Part
1	チップ Die
2	ワイヤ Wire
3	封止材 Molding material
4	ダイアタッチ材 Die attach material
5	Cu リード: Ni/Pd/Au めっき Cu lead: Ni/Pd/Au plating
6	ダイパッド Die pad

The materials are different because they use materials certified at the site, but the structure is equivalent.

Appendix M: Packing Specifications Change (Tray Order)

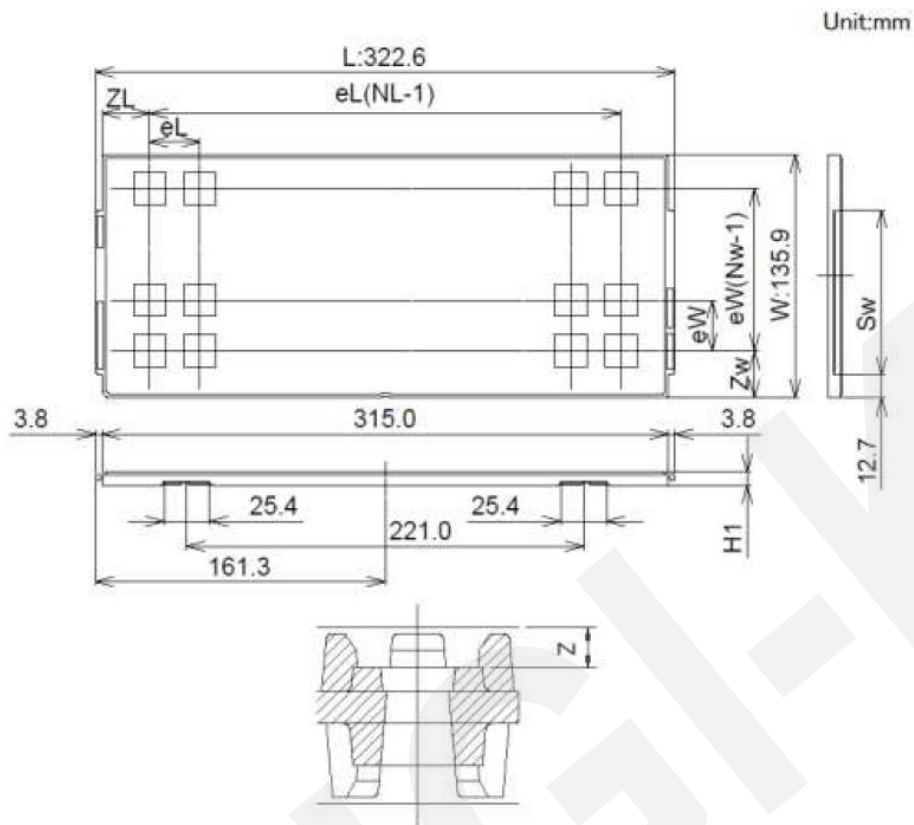
Assembly site	Order of Devices
New	
Current	

### Appendix N: Packing Specifications Change for 4mm×4mm 24pin HWQFN Tray



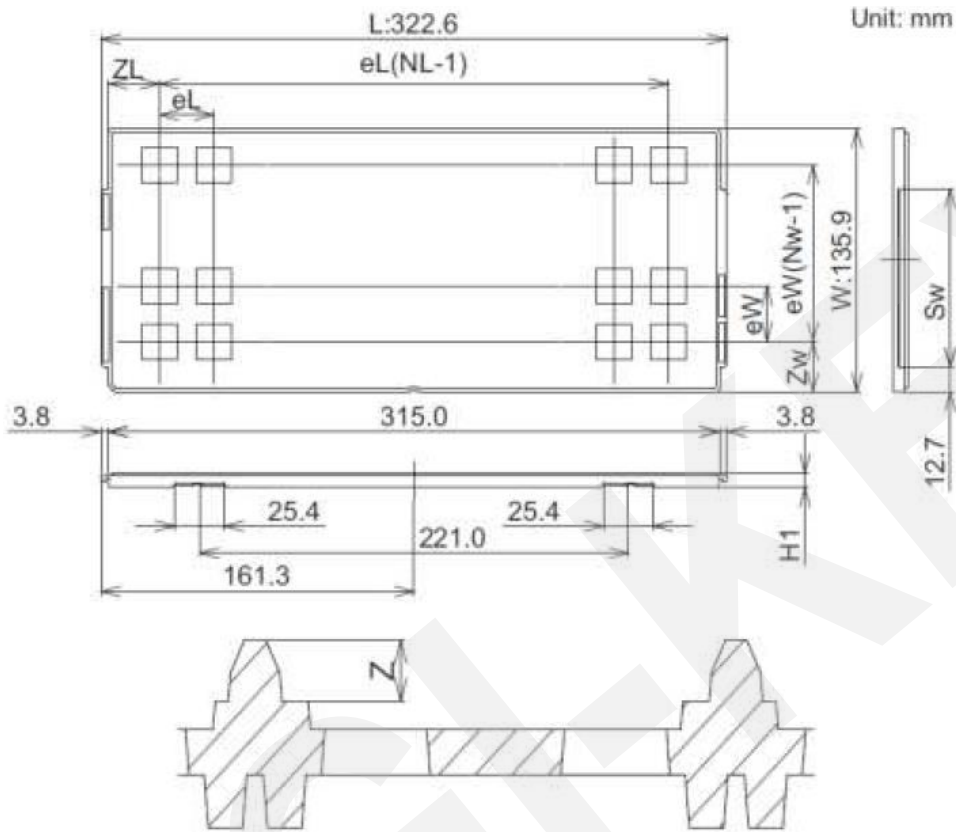
Tray Code		New	Current
		EAM040401-10	QJ-041 Rev.A
Position dimension of cells	Z	1.55	1.425
	Zw	8.15	8.15
	ZL	7.90	7.90
	eW	9.20	9.20
	eL	8.80	8.80
	Sw	92.10	92.10
Thickness (mm)	H1	7.62	7.62
Number of cells	Nw	14	14
	NL	35	35
Maximum storage pcs IC/Tray		490	490
Maximum storage pcs IC/Inner box		3920	3920
Material		Carbon PPE	Carbon PPE
Heat resistant temperature		135°C MAX	135°C MAX
JEDEC or Custom		JEDEC	JEDEC
Surface resistance		Less than $1 \times 10^{11} \Omega / \square$	Less than $1 \times 10^{11} \Omega / \square$

### Appendix O: Packing Specifications Change for 5mm×5mm 32pin HWQFN Tray



Tray Code	New		Current	
	EAM050501-10		Rev.B EAM050503-10	
Position dimension of cells	Z	1.75		1.50
	Zw	8.15		8.15
	ZL	7.90		7.90
	eW	9.20		9.20
	eL	8.80		8.80
	Sw	92.10		92.10
Thickness (mm)	H1	7.62		7.62
Number of cells	Nw	14		14
	NL	35		35
Maximum storage pcs IC/Tray		490		490
Maximum storage pcs IC/Inner box		3920		3920
Material		Carbon PPE		Carbon PPE
Heat resistant temperature		135°C MAX		135°C MAX
JEDECorCustom		JEDEC		JEDEC
Surface resistance		Less than $1 \times 10^{11} \Omega / \square$		Less than $1 \times 10^{11} \Omega / \square$

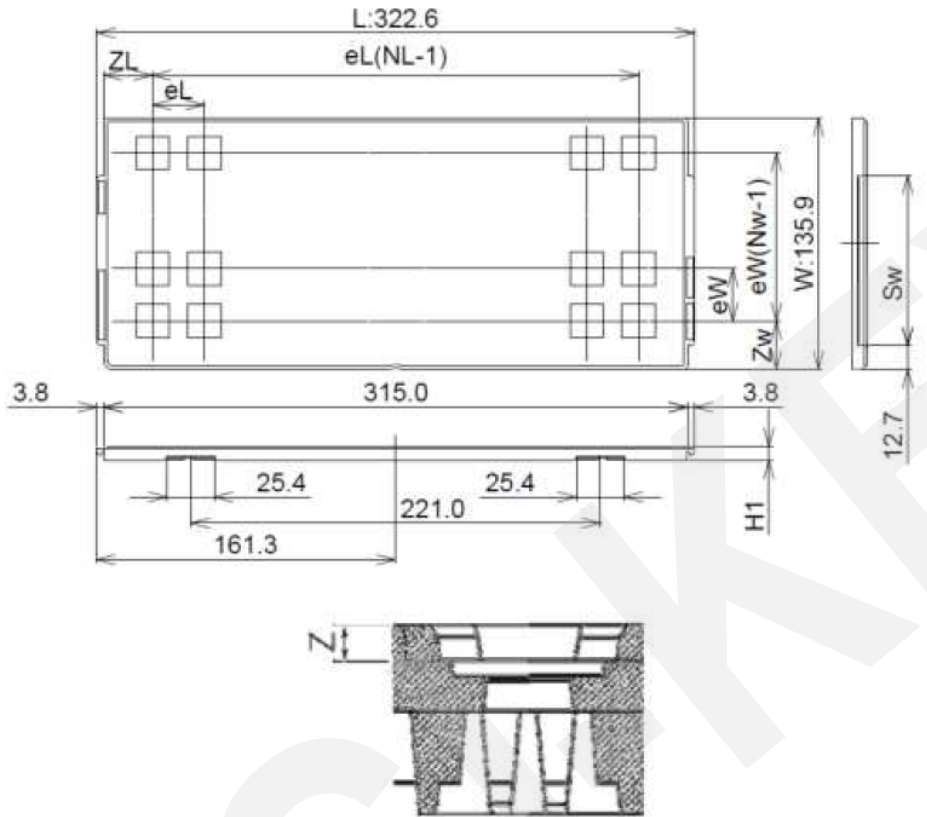
**Appendix P: Packing Specifications for 6mm×6mm 40pin HWQFN Tray (no change from current product).**



Tray Code	Current / New	
	EAM0606-10 Rev.C	
Position dimension of cells	Z	1.35
	Zw	8.15
	ZL	7.90
	eW	9.20
	eL	8.80
	Sw	92.10
Thickness (mm)	H1	7.62
Number of cells	Nw	14
	NL	35
Maximum storage pcs IC/Tray	490	
Maximum storage pcs IC/Inner box	3920	
Material	Carbon PPE	
Heat resistant temperature	135°C MAX	
JEDECorCustom	JEDEC	
Surface resistance	Less than $1 \times 10^{11} \Omega / \square$	

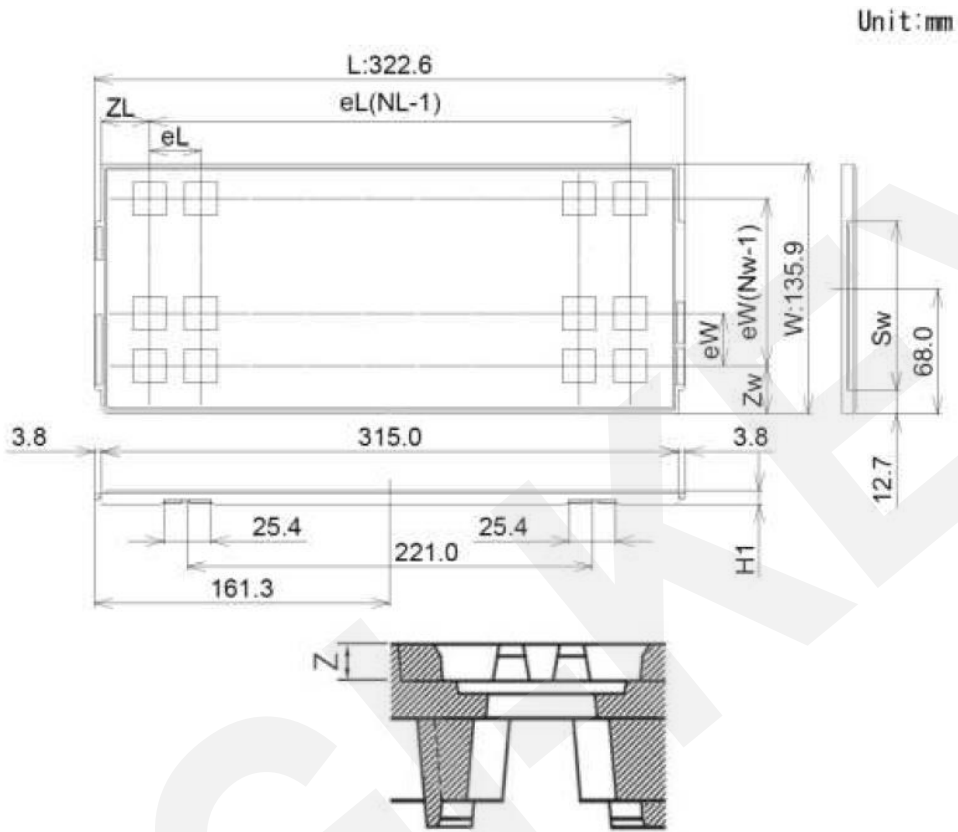
### Appendix Q: Packing Specifications Change for 7mm×7mm 48pin HWQFN Tray

Unit:mm



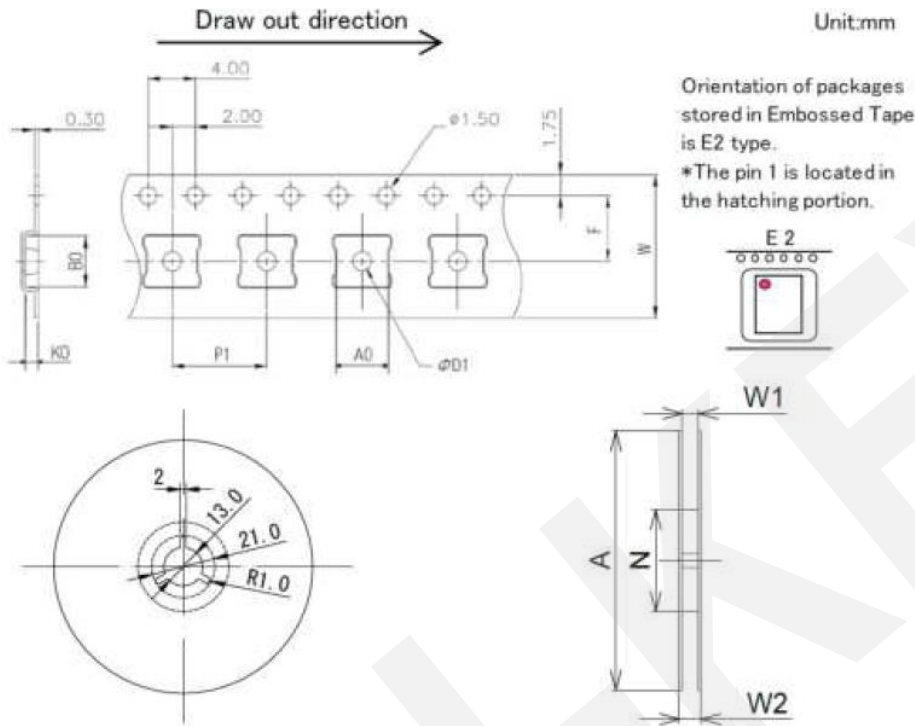
Tray Code	New		Current	
	REV.C EAG0707-10		Rev.A EAM0707-10	
Position dimension of cells	Z	1.40	1.55	
	Zw	11.55	10.35	
	ZL	11.80	10.00	
	eW	9.40	12.80	
	eL	9.40	11.80	
	Sw	92.10	92.10	
Thickness (mm)	H1	7.62	7.62	
Number of cells	Nw	13	10	
	NL	32	26	
Maximum storage pcs IC/Tray		416	260	
Maximum storage pcs IC/Inner box		3328	2080	
Material		Carbon PPE	Carbon PPE	
Heat resistant temperature		135°C MAX	135°C MAX	
JEDECorCustom		JEDEC	JEDEC	
Surface resistance		Less than $1 \times 10^{11} \Omega / \square$	Less than $1 \times 10^{11} \Omega / \square$	

### Appendix R: Packing Specifications Change for 8mm×8mm 64pin HWQFN Tray



Tray Code	New		Current	
	REV. E EA70808-10		EAM0808-10 Rev. A	
Position dimension of cells	Z	1.50	1.45	
	Zw	10.75	10.35	
	ZL	11.90	10.00	
	eW	10.40	12.80	
	eL	10.40	11.80	
	Sw	92.10	92.10	
Thickness (mm)	H1	7.62	7.62	
Number of cells	Nw	12	10	
	NL	29	26	
Maximum storage pcs IC/Tray		348	260	
Maximum storage pcs IC/Inner box		2784	2080	
Material		Carbon PPE	Carbon PPE	
Heat resistant temperature		135°C MAX	135°C MAX	
JEDECorCustom		JEDEC	JEDEC	
Surface resistance		Less than 1x10 <sup>11</sup> Ω/□	Less than 1x10 <sup>11</sup> Ω/□	

### Appendix S: Packing Specifications Change for 4mm×4mm 24pin HWQFN Embossed Tape (Tape & Reel)

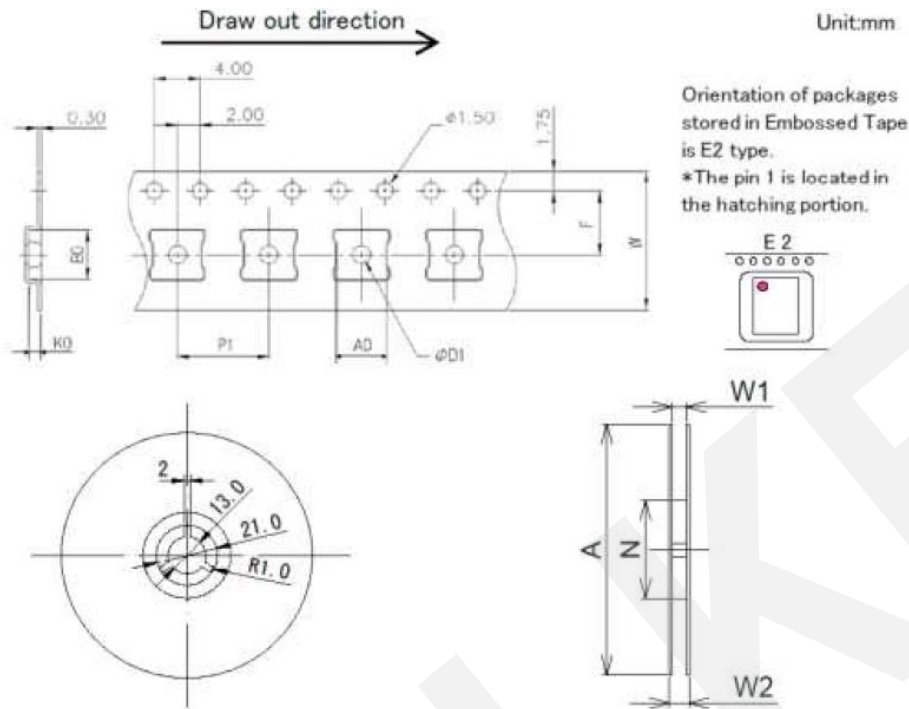


Tape Code	New	Current	
		ECQFN0404-A20	E12*08-C2CA
Tape Dimensions (mm)	W	12.0	12.0
	P1	8.0	8.0
	A0	4.25	4.3
	B0	4.25	4.3
	K0	1.1	1.0
	F	5.5	5.5
	D1	1.6	1.5
Reel Dimensions (mm)	A	330	330
	N	96.5	100
	W1	12.8	13.5
	W2	18.2	17.5
Maximum storage Pcs. IC/ Reel	2500	2500	
Material	Carbon PS	Carbon PS	
Surface resistance	Less than $1 \times 10^{11} \Omega / \square$	Less than $1 \times 10^{11} \Omega / \square$	

	New	Current
Desiccant		

Desiccant is changed, but there is no change in the storage period. Shape or the like might be changed.

### Appendix T: Packing Specifications Change for 5mm×5mm 32pin HWQFN Embossed Tape (Tape & Reel)



Tape Code		New	Current: Kumamoto	Current: Hakodate
			ECPKG0505-151	E12*08-B8CA
Tape Dimensions (mm)	W	12.0	12.0	12.0
	P1	8.0	8.0	8.0
	A0	5.3	5.3	5.25
	B0	5.3	5.3	5.25
	K0	1.1	1.0	1.1
	F	5.5	5.5	5.5
	D1	1.6	1.5	<b>1.5</b>
Reel Dimensions (mm)	A	330	330	330
	N	96.5	100	100
	W1	12.8	13.5	13.4
	W2	18.2	17.5	17.4
Maximum storage Pcs. IC/ Reel		2500	2500	5000
Material		Carbon PS	Carbon PS	Carbon PS
Surface resistance		Less than 1x10 <sup>11</sup> Ω/□	Less than 1x10 <sup>11</sup> Ω/□	Less than 1x10 <sup>11</sup> Ω/□

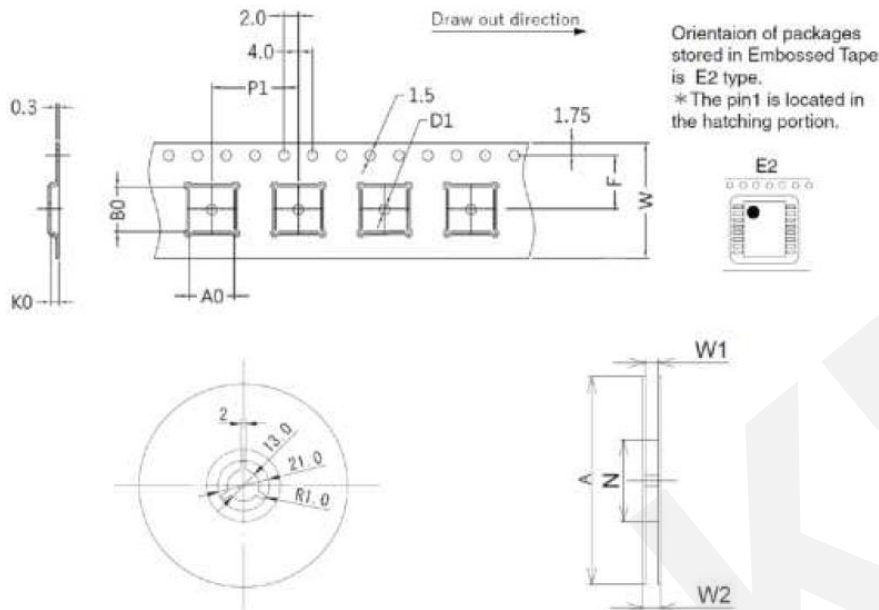
	New	Current
Desiccant		

Desiccant is changed, but there is no change in the storage period. Shape or the like might be changed.



### Appendix U: Packing Specifications Change for 6mm×6mm 40pin HWQFN Embossed Tape (Tape & Reel)

Unit:mm

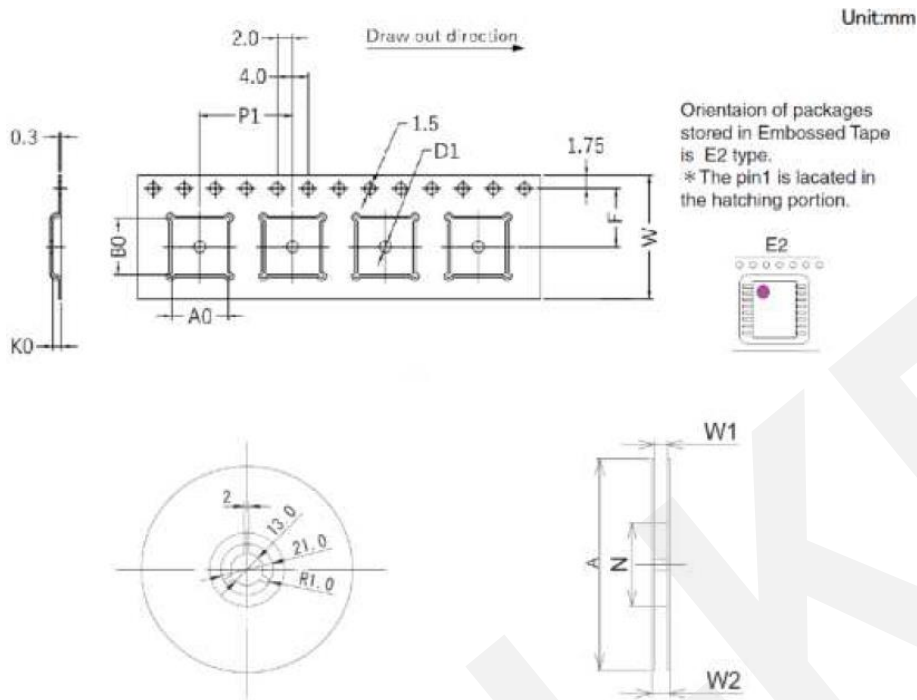


Tape Code	New		Current	
	ATC-QFN0606-A410.PB		E16* 12-C3CA	
Tape Dimensions (mm)	W	16.0	16.0	16.0
	P1	12.0	12.0	12.0
	A0	6.3	6.3	6.3
	B0	6.3	6.3	6.3
	K0	1.1	1.0	1.0
	F	7.5	7.5	7.5
	D1	1.5	1.5	1.5
Reel Dimensions (mm)	A	330	330	330
	N	96.5	100	100
	W1	16.8	17.5	17.5
	W2	22.2	21.5	21.5
Maximum storage Pcs. IC/ Reel	2500		2500	
Material	Carbon PS		Carbon PS	
Surface resistance	Less than $1 \times 10^{11} \Omega / \square$		Less than $1 \times 10^{11} \Omega / \square$	

	New	Current
Desiccant		

Desiccant is changed, but there is no change in the storage period. Shape or the like might be changed.

### Appendix V: Packing Specifications Change for 7mm×7mm 48pin HWQFN Embossed Tape (Tape & Reel)

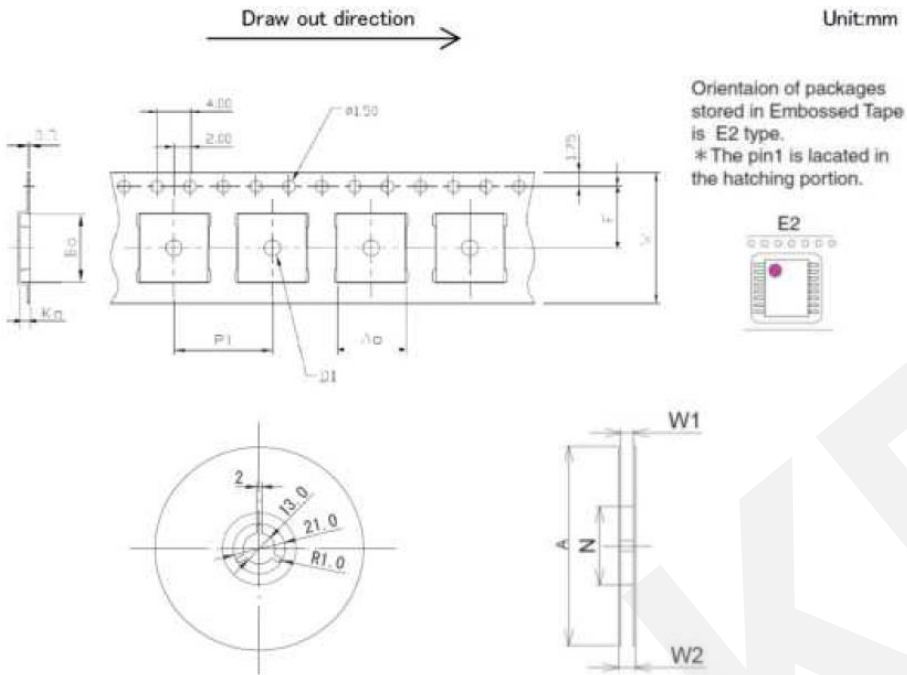


Tape Code	New		Current	
	ACT-QFN0707-A410.PB		E16* 12-B9CA	
Tape Dimensions (mm)	W	16.0	16.0	16.0
	P1	12.0	12.0	12.0
	A0	7.25	7.3	7.3
	B0	7.25	7.3	7.3
	K0	1.1	1.0	1.0
	F	7.5	7.5	7.5
	D1	1.5	1.55	1.55
Reel Dimensions (mm)	A	330	330	330
	N	96.5	100	100
	W1	16.8	17.5	17.5
	W2	22.2	21.5	21.5
Maximum storage Pcs. IC/ Reel	2500		2500	
Material	Carbon PS		Carbon PS	
Surface resistance	Less than $1 \times 10^{11} \Omega / \square$		Less than $1 \times 10^{11} \Omega / \square$	

	New	Current
Desiccant		

Desiccant is changed, but there is no change in the storage period. Shape or the like might be changed.

### Appendix W: Packing Specifications Change for 8mm×8mm 64pin HWQFN Embossed Tape (Tape & Reel)



Tape Code	New		Current	
	EC70800801-112		E16*12-C0CA	
Tape Dimensions (mm)	W	16.0		16.0
	P1	12.0		12.0
	A0	8.3		8.3
	B0	8.3		8.3
	K0	1.2		1.0
	F	7.5		7.5
	D1	2.0		1.5
Reel Dimensions (mm)	A	330		330
	N	96.5		100
	W1	16.8		17.5
	W2	22.2		21.5
Maximum storage Pcs. IC/ Reel	2500		2500	
Material	Carbon PS		Carbon PS	
Surface resistance	Less than $1 \times 10^{11} \Omega / \square$		Less than $1 \times 10^{11} \Omega / \square$	

	New	Current
Desiccant		

Desiccant is changed, but there is no change in the storage period. Shape or the like might be changed.

### Appendix X: Digi-Key Affected Part Number List

Booking Part Number	Replacement PN	Booking Part Number	Replacement PN
R5F1007AANA#U0	R5F1007AANA#20	R5F100BEDNA#U0	R5F100BEGNA#20
R5F1007AANA#W0	R5F1007AANA#40	R5F100BEDNA#W0	R5F100BEGNA#40
R5F1007AAXXNA#U0	R5F1007AAXXNA#20	R5F100BEGNA#U0	R5F100BEGNA#20
R5F1007ADNA#U0	R5F1007AGNA#20	R5F100BEGNA#W0	R5F100BEGNA#40
R5F1007ADNA#W0	R5F1007AGNA#40	R5F100BFANA#U0	R5F100BFANA#20
R5F1007AGNA#U0	R5F1007AGNA#20	R5F100BFANA#W0	R5F100BFANA#40
R5F1007AGNA#W0	R5F1007AGNA#40	R5F100BFDNA#U0	R5F100BFGNA#20
R5F1007CANA#U0	R5F1007CANA#20	R5F100BFDNA#W0	R5F100BFGNA#40
R5F1007CANA#W0	R5F1007CANA#40	R5F100BFGNA#U0	R5F100BFGNA#20
R5F1007CDNA#U0	R5F1007CGNA#20	R5F100BFGNA#W0	R5F100BFGNA#40
R5F1007CDNA#W0	R5F1007CGNA#40	R5F100BGANA#U0	R5F100BGANA#20
R5F1007CGNA#U0	R5F1007CGNA#20	R5F100BGANA#W0	R5F100BGANA#40
R5F1007CGNA#W0	R5F1007CGNA#40	R5F100BGDNA#U0	R5F100BGGNA#20
R5F1007DANA#U0	R5F1007DANA#20	R5F100BGDNA#W0	R5F100BGGNA#40
R5F1007DANA#W0	R5F1007DANA#40	R5F100BGGNA#U0	R5F100BGGNA#20
R5F1007DDNA#U0	R5F1007DGNA#20	R5F100BGGNA#W0	R5F100BGGNA#40
R5F1007DDNA#W0	R5F1007DGNA#40	R5F100EAANA#U0	R5F100EAANA#20
R5F1007DGNA#U0	R5F1007DGNA#20	R5F100EAANA#W0	R5F100EAANA#40
R5F1007DGNA#W0	R5F1007DGNA#40	R5F100EAAXXNA#U0	R5F100EAAXXNA#20
R5F1007EANA#U0	R5F1007EANA#20	R5F100EADNA#U0	R5F100EAGNA#20
R5F1007EANA#W0	R5F1007EANA#40	R5F100EADNA#W0	R5F100EAGNA#40
R5F1007EDNA#U0	R5F1007EGNA#20	R5F100EAGNA#U0	R5F100EAGNA#20
R5F1007EDNA#W0	R5F1007EGNA#40	R5F100EAGNA#W0	R5F100EAGNA#40
R5F1007EGNA#U0	R5F1007EGNA#20	R5F100ECANA#U0	R5F100ECANA#20
R5F1007EGNA#W0	R5F1007EGNA#40	R5F100ECANA#W0	R5F100ECANA#40
R5F100BAANA#U0	R5F100BAANA#20	R5F100ECDNA#U0	R5F100ECGNA#20
R5F100BAANA#W0	R5F100BAANA#40	R5F100ECDNA#W0	R5F100ECGNA#40
R5F100BAAXXNA#U0	R5F100BAAXXNA#20	R5F100ECGNA#U0	R5F100ECGNA#20
R5F100BADNA#U0	R5F100BAGNA#20	R5F100ECGNA#W0	R5F100ECGNA#40
R5F100BADNA#W0	R5F100BAGNA#40	R5F100EDANA#U0	R5F100EDANA#20
R5F100BAGNA#U0	R5F100BAGNA#20	R5F100EDANA#W0	R5F100EDANA#40
R5F100BAGNA#W0	R5F100BAGNA#40	R5F100EDDNA#U0	R5F100EDGNA#20
R5F100BCANA#U0	R5F100BCANA#20	R5F100EDDNA#W0	R5F100EDGNA#40
R5F100BCANA#W0	R5F100BCANA#40	R5F100EDGNA#U0	R5F100EDGNA#20
R5F100BCDNA#U0	R5F100BCGNA#20	R5F100EDGNA#W0	R5F100EDGNA#40
R5F100BCDNA#W0	R5F100BCGNA#40	R5F100EEANA#U0	R5F100EEANA#20
R5F100BCGNA#U0	R5F100BCGNA#20	R5F100EEANA#W0	R5F100EEANA#40
R5F100BCGNA#W0	R5F100BCGNA#40	R5F100EEDNA#U0	R5F100EEGNA#20
R5F100BDANA#U0	R5F100BDANA#20	R5F100EEDNA#W0	R5F100EEGNA#40
R5F100BDANA#W0	R5F100BDANA#40	R5F100EEGNA#U0	R5F100EEGNA#20
R5F100BDDNA#U0	R5F100BDGNA#20	R5F100EEGNA#W0	R5F100EEGNA#40
R5F100BDGNA#U0	R5F100BDGNA#20	R5F100EFANA#U0	R5F100EFANA#20
R5F100BDGNA#W0	R5F100BDGNA#40	R5F100EFANA#W0	R5F100EFANA#40
R5F100BEANA#U0	R5F100BEANA#20	R5F100EFDNA#U0	R5F100EFGNA#20
R5F100BEANA#W0	R5F100BEANA#40	R5F100EFDNA#W0	R5F100EFGNA#40

**Appendix X (cont.): Digi-Key Affected Part Number List**

Booking Part Number	Replacement PN	Booking Part Number	Replacement PN
R5F100EFGNA#U0	R5F100EFGNA#20	R5F100GGANA#W0	R5F100GGANA#40
R5F100EFGNA#W0	R5F100EFGNA#40	R5F100GGDNA#U0	R5F100GGGNA#20
R5F100EGANA#U0	R5F100EGANA#20	R5F100GGDNA#W0	R5F100GGGNA#40
R5F100EGANA#W0	R5F100EGANA#40	R5F100GGGNA#U0	R5F100GGGNA#20
R5F100EGDNA#U0	R5F100EGGNA#20	R5F100GGGNA#W0	R5F100GGGNA#40
R5F100EGDNA#W0	R5F100EGGNA#40	R5F100GHANA#U0	R5F100GHANA#20
R5F100EGGNA#U0	R5F100EGGNA#20	R5F100GHANA#W0	R5F100GHANA#40
R5F100EGGNA#W0	R5F100EGGNA#40	R5F100GHDNA#U0	R5F100GHGNA#20
R5F100EHANA#U0	R5F100EHANA#20	R5F100GHDNA#W0	R5F100GHGNA#40
R5F100EHANA#W0	R5F100EHANA#40	R5F100GHGNA#U0	R5F100GHGNA#20
R5F100EHDNA#U0	R5F100EHGNA#20	R5F100GHGNA#W0	R5F100GHGNA#40
R5F100EHDNA#W0	R5F100EHGNA#40	R5F100GJANA#U0	R5F100GJANA#20
R5F100EHGNA#U0	R5F100EHGNA#20	R5F100GJANA#W0	R5F100GJANA#40
R5F100EHGNA#W0	R5F100EHGNA#40	R5F100GJDNA#U0	R5F100GJGNA#20
R5F100GAANA#U0	R5F100GAANA#20	R5F100GJDNA#W0	R5F100GJGNA#40
R5F100GAANA#W0	R5F100GAANA#40	R5F100GJGNA#U0	R5F100GJGNA#20
R5F100GADNA#U0	R5F100GAGNA#20	R5F100GJGNA#W0	R5F100GJGNA#40
R5F100GADNA#W0	R5F100GAGNA#40	R5F100GKANA#U0	R5F100GKANA#20
R5F100GAGNA#U0	R5F100GAGNA#20	R5F100GKANA#W0	R5F100GKANA#40
R5F100GAGNA#W0	R5F100GAGNA#40	R5F100GKDNA#U0	R5F100GKDNA#20
R5F100GCANA#U0	R5F100GCANA#20	R5F100GKDNA#W0	R5F100GKDNA#40
R5F100GCANA#W0	R5F100GCANA#40	R5F100GLANA#U0	R5F100GLANA#20
R5F100GCDNA#U0	R5F100GCGNA#20	R5F100GLANA#W0	R5F100GLANA#40
R5F100GCDNA#W0	R5F100GCGNA#40	R5F100GLDNA#U0	R5F100GLDNA#20
R5F100GCGNA#U0	R5F100GCGNA#20	R5F100GLDNA#W0	R5F100GLDNA#40
R5F100GCGNA#W0	R5F100GCGNA#40	R5F1017AANA#U0	R5F1017AANA#20
R5F100GDANA#U0	R5F100GDANA#20	R5F1017AANA#W0	R5F1017AANA#40
R5F100GDANA#W0	R5F100GDANA#40	R5F1017ADNA#U0	R5F1007AGNA#20
R5F100GDDNA#U0	R5F100GDGNA#20	R5F1017CANA#U0	R5F1017CANA#20
R5F100GDDNA#W0	R5F100GDGNA#40	R5F1017CANA#W0	R5F1017CANA#40
R5F100GDGNA#U0	R5F100GDGNA#20	R5F1017CDNA#U0	R5F1007CGNA#20
R5F100GDGNA#W0	R5F100GDGNA#40	R5F1017DANA#U0	R5F1017DANA#20
R5F100GEANA#U0	R5F100GEANA#20	R5F1017DANA#W0	R5F1017DANA#40
R5F100GEANA#W0	R5F100GEANA#40	R5F1017DDNA#U0	R5F1007DGNA#20
R5F100GEDNA#U0	R5F100GEGNA#20	R5F1017EANA#U0	R5F1017EANA#20
R5F100GEDNA#W0	R5F100GEGNA#40	R5F1017EANA#W0	R5F1017EANA#40
R5F100GEGNA#U0	R5F100GEGNA#20	R5F1017EDNA#U0	R5F1007EGNA#20
R5F100GEGNA#W0	R5F100GEGNA#40	R5F101BAANA#U0	R5F101BAANA#20
R5F100GFANA#U0	R5F100GFANA#20	R5F101BAANA#W0	R5F101BAANA#40
R5F100GFANA#W0	R5F100GFANA#40	R5F101BADNA#U0	R5F100BAGNA#20
R5F100GFDNA#U0	R5F100GFGNA#20	R5F101BCANA#U0	R5F101BCANA#20
R5F100GFDNA#W0	R5F100GFGNA#40	R5F101BCDNA#U0	R5F100BCGNA#20
R5F100GFGNA#U0	R5F100GFGNA#20	R5F101BDANA#U0	R5F101BDANA#20
R5F100GFGNA#W0	R5F100GFGNA#40	R5F101BDDNA#U0	R5F100BDGNA#20
R5F100GGANA#U0	R5F100GGANA#20	R5F101BEANA#U0	R5F101BEANA#20

**Appendix X (cont.): Digi-Key Affected Part Number List**

Booking Part Number	Replacement PN	Booking Part Number	Replacement PN
R5F101BEDNA#U0	R5F100BEGNA#20	R5F101GFANA#U0	R5F101GFANA#20
R5F101BFANA#U0	R5F101BFANA#20	R5F101GFANA#W0	R5F101GFANA#40
R5F101BFANA#W0	R5F101BFANA#40	R5F101GFDNA#U0	R5F100GFGNA#20
R5F101BFDNA#U0	R5F100BFGNA#20	R5F101GFDNA#W0	R5F100GFGNA#40
R5F101BGANA#U0	R5F101BGANA#20	R5F101GGANA#U0	R5F101GGANA#20
R5F101BGANA#W0	R5F101BGANA#40	R5F101GGANA#W0	R5F101GGANA#40
R5F101BGDNA#U0	R5F100BGGNA#20	R5F101GGAXXNA#W0	R5F101GGAXXNA#40
R5F101EAANA#U0	R5F101EAANA#20	R5F101GGDNA#U0	R5F100GGGNA#20
R5F101EAANA#W0	R5F101EAANA#40	R5F101GGDNA#W0	R5F100GGGNA#40
R5F101EADNA#U0	R5F100EAGNA#20	R5F101GHANA#U0	R5F101GHANA#20
R5F101ECANA#U0	R5F101ECANA#20	R5F101GHANA#W0	R5F101GHANA#40
R5F101ECANA#W0	R5F101ECANA#40	R5F101GHDNA#U0	R5F100GHGNA#20
R5F101ECDNA#U0	R5F100ECGNA#20	R5F101GHDNA#W0	R5F100GHGNA#40
R5F101ECDNA#W0	R5F100ECGNA#40	R5F101GJANA#U0	R5F101GJANA#20
R5F101EDANA#U0	R5F101EDANA#20	R5F101GJANA#W0	R5F101GJANA#40
R5F101EDANA#W0	R5F101EDANA#40	R5F101GJDNA#U0	R5F100GJGNA#20
R5F101EDDNA#U0	R5F100EDGNA#20	R5F101GJDNA#W0	R5F100GJGNA#40
R5F101EEANA#U0	R5F101EEANA#20	R5F101GKANA#U0	R5F101GKANA#20
R5F101EEANA#W0	R5F101EEANA#40	R5F101GKANA#W0	R5F101GKANA#40
R5F101EEDNA#U0	R5F100EEGNA#20	R5F101GKDNA#U0	R5F101GKDNA#20
R5F101EFANA#U0	R5F101EFANA#20	R5F101GKDNA#W0	R5F101GKDNA#40
R5F101EFANA#W0	R5F101EFANA#40	R5F101GLANA#U0	R5F101GLANA#20
R5F101EFDNA#U0	R5F100EFGNA#20	R5F101GLANA#W0	R5F101GLANA#40
R5F101EGANA#U0	R5F101EGANA#20	R5F101GLDNA#U0	R5F101GLDNA#20
R5F101EGANA#W0	R5F101EGANA#40	R5F101GLDNA#W0	R5F101GLDNA#40
R5F101EGDNA#U0	R5F100EGGNA#20	R5F10277ANA#U0	R5F10277ANA#25
R5F101EHANA#U0	R5F101EHANA#20	R5F10277ANA#U5	R5F10277ANA#25
R5F101EHANA#W0	R5F101EHANA#40	R5F10277ANA#W0	R5F10277ANA#45
R5F101EHDNA#U0	R5F100EHGNA#20	R5F10277ANA#W5	R5F10277ANA#45
R5F101GAANA#U0	R5F101GAANA#20	R5F10277AXXNA#U0	R5F10277AXXNA#25
R5F101GAANA#W0	R5F101GAANA#40	R5F10277AXXNA#U5	R5F10277AXXNA#25
R5F101GADNA#U0	R5F100GAGNA#20	R5F10277DNA#U0	R5F10277GNA#25
R5F101GADNA#W0	R5F100GAGNA#40	R5F10277DNA#U5	R5F10277GNA#25
R5F101GCANA#U0	R5F101GCANA#20	R5F10277DNA#W0	R5F10277GNA#45
R5F101GCANA#W0	R5F101GCANA#40	R5F10277DNA#W5	R5F10277GNA#45
R5F101GCDNA#U0	R5F100GCGNA#20	R5F10277GNA#U5	R5F10277GNA#25
R5F101GCDNA#W0	R5F100GCGNA#40	R5F10277GNA#W5	R5F10277GNA#45
R5F101GDANA#U0	R5F101GDANA#20	R5F10278ANA#U0	R5F10278ANA#25
R5F101GDANA#W0	R5F101GDANA#40	R5F10278ANA#U5	R5F10278ANA#25
R5F101GDDNA#U0	R5F100GDGNA#20	R5F10278ANA#W0	R5F10278ANA#45
R5F101GDDNA#W0	R5F100GDGNA#40	R5F10278ANA#W5	R5F10278ANA#45
R5F101GEANA#U0	R5F101GEANA#20	R5F10278DNA#U0	R5F10278GNA#25
R5F101GEANA#W0	R5F101GEANA#40	R5F10278DNA#U5	R5F10278GNA#25
R5F101GEDNA#U0	R5F100GEGNA#20	R5F10278DNA#W0	R5F10278GNA#45
R5F101GEDNA#W0	R5F100GEGNA#40	R5F10278DNA#W5	R5F10278GNA#45



**Appendix X (cont.): Digi-Key Affected Part Number List**

Booking Part Number	Replacement PN	Booking Part Number	Replacement PN
R5F10278GNA#U5	R5F10278GNA#25	R5F10379DNA#U5	R5F10279GNA#25
R5F10278GNA#W5	R5F10278GNA#45	R5F10379DNA#W0	R5F10279GNA#45
R5F10279ANA#U0	R5F10279ANA#25	R5F10379DNA#W5	R5F10279GNA#45
R5F10279ANA#U5	R5F10279ANA#25	R5F1037AANA#U0	R5F1037AANA#25
R5F10279ANA#W0	R5F10279ANA#45	R5F1037AANA#U5	R5F1037AANA#25
R5F10279ANA#W5	R5F10279ANA#45	R5F1037AANA#W0	R5F1037AANA#45
R5F10279DNA#U0	R5F10279GNA#25	R5F1037AANA#W5	R5F1037AANA#45
R5F10279DNA#U5	R5F10279GNA#25	R5F1037ADNA#U0	R5F1027AGNA#25
R5F10279DNA#W0	R5F10279GNA#45	R5F1037ADNA#U5	R5F1027AGNA#25
R5F10279DNA#W5	R5F10279GNA#45	R5F1037ADNA#W0	R5F1027AGNA#45
R5F10279GNA#U5	R5F10279GNA#25	R5F1037ADNA#W5	R5F1027AGNA#45
R5F10279GNA#W5	R5F10279GNA#45	R5F104BAANA#U0	R5F104BAANA#20
R5F1027AANA#U0	R5F1027AANA#25	R5F104BAANA#W0	R5F104BAANA#40
R5F1027AANA#U5	R5F1027AANA#25	R5F104BADNA#U0	R5F104BAGNA#20
R5F1027AANA#W0	R5F1027AANA#45	R5F104BAGNA#U0	R5F104BAGNA#20
R5F1027AANA#W5	R5F1027AANA#45	R5F104BAGNA#W0	R5F104BAGNA#40
R5F1027AAXXNA#U0	R5F1027AAXXNA#25	R5F104BCANA#U0	R5F104BCANA#20
R5F1027AAXXNA#U5	R5F1027AAXXNA#25	R5F104BCANA#W0	R5F104BCANA#40
R5F1027AAXXNA#W5	R5F1027AAXXNA#45	R5F104BCDNA#U0	R5F104BCGNA#20
R5F1027ADNA#U0	R5F1027AGNA#25	R5F104BCGNA#U0	R5F104BCGNA#20
R5F1027ADNA#U5	R5F1027AGNA#25	R5F104BCGNA#W0	R5F104BCGNA#40
R5F1027ADNA#W0	R5F1027AGNA#45	R5F104BDANA#U0	R5F104BDANA#20
R5F1027ADNA#W5	R5F1027AGNA#45	R5F104BDANA#W0	R5F104BDANA#40
R5F1027AGNA#U5	R5F1027AGNA#25	R5F104BDDNA#U0	R5F104BDGNA#20
R5F1027AGNA#W5	R5F1027AGNA#45	R5F104BDGNA#U0	R5F104BDGNA#20
R5F10377ANA#U0	R5F10377ANA#25	R5F104BDGNA#W0	R5F104BDGNA#40
R5F10377ANA#U5	R5F10377ANA#25	R5F104BEANA#U0	R5F104BEANA#20
R5F10377ANA#W0	R5F10377ANA#45	R5F104BEANA#W0	R5F104BEANA#40
R5F10377ANA#W5	R5F10377ANA#45	R5F104BEDNA#U0	R5F104BEGNA#20
R5F10377DNA#U0	R5F10277GNA#25	R5F104BEGNA#U0	R5F104BEGNA#20
R5F10377DNA#U5	R5F10277GNA#25	R5F104BEGNA#W0	R5F104BEGNA#40
R5F10377DNA#W5	R5F10277GNA#45	R5F104BFANA#U0	R5F104BFANA#20
R5F10378ANA#U0	R5F10378ANA#25	R5F104BFANA#W0	R5F104BFANA#40
R5F10378ANA#U5	R5F10378ANA#25	R5F104BFDNA#U0	R5F104BFGNA#20
R5F10378ANA#W0	R5F10378ANA#45	R5F104BFGNA#U0	R5F104BFGNA#20
R5F10378ANA#W5	R5F10378ANA#45	R5F104BFGNA#W0	R5F104BFGNA#40
R5F10378DNA#U0	R5F10278GNA#25	R5F104BGANA#U0	R5F104BGANA#20
R5F10378DNA#U5	R5F10278GNA#25	R5F104BGANA#W0	R5F104BGANA#40
R5F10378DNA#W0	R5F10278GNA#45	R5F104BGGNA#U0	R5F104BGGNA#20
R5F10378DNA#W5	R5F10278GNA#45	R5F104BGGNA#W0	R5F104BGGNA#40
R5F10379ANA#U0	R5F10379ANA#25	R5F104EAANA#U0	R5F104EAANA#20
R5F10379ANA#U5	R5F10379ANA#25	R5F104EAANA#W0	R5F104EAANA#40
R5F10379ANA#W0	R5F10379ANA#45	R5F104EAGNA#U0	R5F104EAGNA#20
R5F10379ANA#W5	R5F10379ANA#45	R5F104EAGNA#W0	R5F104EAGNA#40
R5F10379DNA#U0	R5F10279GNA#25	R5F104ECANA#U0	R5F104ECANA#20

### Appendix X (cont.): Digi-Key Affected Part Number List

Booking Part Number	Replacement PN	Booking Part Number	Replacement PN
R5F104ECANA#W0	R5F104ECANA#40	R5F104GFDNA#U0	R5F104GFGNA#20
R5F104ECGNA#U0	R5F104ECGNA#20	R5F104GFGNA#U0	R5F104GFGNA#20
R5F104ECGNA#W0	R5F104ECGNA#40	R5F104GFGNA#W0	R5F104GFGNA#40
R5F104EDANA#U0	R5F104EDANA#20	R5F104GGANA#U0	R5F104GGANA#20
R5F104EDANA#W0	R5F104EDANA#40	R5F104GGANA#W0	R5F104GGANA#40
R5F104EDGNA#U0	R5F104EDGNA#20	R5F104GGDNA#U0	R5F104GGGNA#20
R5F104EDGNA#W0	R5F104EDGNA#40	R5F104GGGNA#U0	R5F104GGGNA#20
R5F104EEANA#U0	R5F104EEANA#20	R5F104GGGNA#W0	R5F104GGGNA#40
R5F104EEANA#W0	R5F104EEANA#40	R5F104GHANA#U0	R5F104GHANA#20
R5F104EEGNA#U0	R5F104EEGNA#20	R5F104GHANA#W0	R5F104GHANA#40
R5F104EEGNA#W0	R5F104EEGNA#40	R5F104GHDNA#U0	R5F104GHGNA#20
R5F104EFANA#U0	R5F104EFANA#20	R5F104GHGNA#U0	R5F104GHGNA#20
R5F104EFANA#W0	R5F104EFANA#40	R5F104GHGNA#W0	R5F104GHGNA#40
R5F104EFGNA#U0	R5F104EFGNA#20	R5F104GJANA#U0	R5F104GJANA#20
R5F104EFGNA#W0	R5F104EFGNA#40	R5F104GJANA#W0	R5F104GJANA#40
R5F104EGANA#U0	R5F104EGANA#20	R5F104GJDNA#U0	R5F104GJGNA#20
R5F104EGANA#W0	R5F104EGANA#40	R5F104GJGNA#U0	R5F104GJGNA#20
R5F104EGGNA#U0	R5F104EGGNA#20	R5F104GJGNA#W0	R5F104GJGNA#40
R5F104EGGNA#W0	R5F104EGGNA#40	R5F104GKANA#U0	R5F104GKANA#20
R5F104EHANA#U0	R5F104EHANA#20	R5F104GKANA#W0	R5F104GKANA#40
R5F104EHANA#W0	R5F104EHANA#40	R5F104GKGNA#U0	R5F104GKGNA#20
R5F104EHGNA#U0	R5F104EHGNA#20	R5F104GKGNA#W0	R5F104GKGNA#40
R5F104EHGNA#W0	R5F104EHGNA#40	R5F104GLANA#U0	R5F104GLANA#20
R5F104GAANA#U0	R5F104GAANA#20	R5F104GLANA#W0	R5F104GLANA#40
R5F104GAANA#W0	R5F104GAANA#40	R5F104GLGNA#U0	R5F104GLGNA#20
R5F104GADNA#U0	R5F104GAGNA#20	R5F104GLGNA#W0	R5F104GLGNA#40
R5F104GAGNA#U0	R5F104GAGNA#20	R5F1057AANA#U0	R5F1057AANA#20
R5F104GAGNA#W0	R5F104GAGNA#40	R5F1057AANA#W0	R5F1057AANA#40
R5F104GCANA#U0	R5F104GCANA#20	R5F1057AGNA#U0	R5F1057AGNA#20
R5F104GCANA#W0	R5F104GCANA#40	R5F1057AGNA#W0	R5F1057AGNA#40
R5F104GCDNA#U0	R5F104GCGNA#20	R5F10EBAANA#U0	R5F10EBAANA#20
R5F104GCGNA#U0	R5F104GCGNA#20	R5F10EBAANA#W0	R5F10EBAANA#40
R5F104GCGNA#W0	R5F104GCGNA#40	R5F10EBAGNA#U0	R5F10EBAGNA#20
R5F104GDANA#U0	R5F104GDANA#20	R5F10EBAGNA#W0	R5F10EBAGNA#40
R5F104GDANA#W0	R5F104GDANA#40	R5F10EBCANA#U0	R5F10EBCANA#20
R5F104GDDNA#U0	R5F104GDGNA#20	R5F10EBCANA#W0	R5F10EBCANA#40
R5F104GDGNA#U0	R5F104GDGNA#20	R5F10EBCGNA#U0	R5F10EBCGNA#20
R5F104GDGNA#W0	R5F104GDGNA#40	R5F10EBCGNA#W0	R5F10EBCGNA#40
R5F104GEANA#U0	R5F104GEANA#20	R5F10EBDANA#U0	R5F10EBDANA#20
R5F104GEANA#W0	R5F104GEANA#40	R5F10EBDANA#W0	R5F10EBDANA#40
R5F104GEDNA#U0	R5F104GEGNA#20	R5F10EBDGNA#U0	R5F10EBDGNA#20
R5F104GEGNA#U0	R5F104GEGNA#20	R5F10EBDGNA#W0	R5F10EBDGNA#40
R5F104GEGNA#W0	R5F104GEGNA#40	R5F10EBEANA#U0	R5F10EBEANA#20
R5F104GFANA#U0	R5F104GFANA#20	R5F10EBEANA#W0	R5F10EBEANA#40
R5F104GFANA#W0	R5F104GFANA#40	R5F10EBEGNA#U0	R5F10EBEGNA#20



**Appendix X (cont.): Digi-Key Affected Part Number List**

Booking Part Number	Replacement PN	Booking Part Number	Replacement PN
R5F10EBEGNA#W0	R5F10EBEGNA#40	R5F10KBCGNA#W0	R5F10KBCGNA#40
R5F10EGAANA#U0	R5F10EGAANA#20	R5F10KGCANA#U0	R5F10KGCANA#20
R5F10EGAANA#W0	R5F10EGAANA#40	R5F10KGCANA#W0	R5F10KGCANA#40
R5F10EGAGNA#U0	R5F10EGAGNA#20	R5F10KGCAXXNA#U0	R5F10KGCAXXNA#20
R5F10EGAGNA#W0	R5F10EGAGNA#40	R5F10KGCAGNA#U0	R5F10KGCAGNA#20
R5F10EGCANA#U0	R5F10EGCANA#20	R5F10KGCAGNA#W0	R5F10KGCAGNA#40
R5F10EGCANA#W0	R5F10EGCANA#40	R5F10RLAANB#U0	R5F10RLAANB#20
R5F10EGCGNA#U0	R5F10EGCGNA#20	R5F10RLAANB#W0	R5F10RLAANB#40
R5F10EGCGNA#W0	R5F10EGCGNA#40	R5F10RLAGNB#U0	R5F10RLAGNB#20
R5F10EGDANA#U0	R5F10EGDANA#20	R5F10RLAGNB#W0	R5F10RLAGNB#40
R5F10EGDANA#W0	R5F10EGDANA#40	R5F10RLCANB#U0	R5F10RLCANB#20
R5F10EGDGNA#U0	R5F10EGDGNA#20	R5F10RLCANB#W0	R5F10RLCANB#40
R5F10EGDGNA#W0	R5F10EGDGNA#40	R5F10RLCGNB#U0	R5F10RLCGNB#20
R5F10EGEANA#U0	R5F10EGEANA#20	R5F10RLCGNB#W0	R5F10RLCGNB#40
R5F10EGEANA#W0	R5F10EGEANA#40	R5F11778GNA#U0	R5F11778GNA#20
R5F10EGEGNA#U0	R5F10EGEGNA#20	R5F11778GNA#W0	R5F11778GNA#40
R5F10EGEGNA#W0	R5F10EGEGNA#40	R5F1177AGNA#U0	R5F1177AGNA#20
R5F10JBCANA#U0	R5F10JBCANA#20	R5F1177AGNA#W0	R5F1177AGNA#40
R5F10JBCANA#W0	R5F10JBCANA#40	R5F11B7CANA#U0	R5F11B7CANA#20
R5F10JBCGNA#U0	R5F10JBCGNA#20	R5F11B7CANA#W0	R5F11B7CANA#40
R5F10JBCGNA#W0	R5F10JBCGNA#40	R5F11B7CGNA#U0	R5F11B7CGNA#20
R5F10JGCANA#U0	R5F10JGCANA#20	R5F11B7CGNA#W0	R5F11B7CGNA#40
R5F10JGCANA#W0	R5F10JGCANA#40	R5F11B7EANA#U0	R5F11B7EANA#20
R5F10JGCGNA#U0	R5F10JGCGNA#20	R5F11B7EANA#W0	R5F11B7EANA#40
R5F10JGCGNA#W0	R5F10JGCGNA#40	R5F11B7EGNA#U0	R5F11B7EGNA#20
R5F10KBCANA#U0	R5F10KBCANA#20	R5F11B7EGNA#W0	R5F11B7EGNA#40
R5F10KBCANA#W0	R5F10KBCANA#40	R5F11BBCANA#40	R5F11BBCANA#40
R5F10KBCGNA#U0	R5F10KBCGNA#20		