

VL xx 1 4 x 1 xxxx G

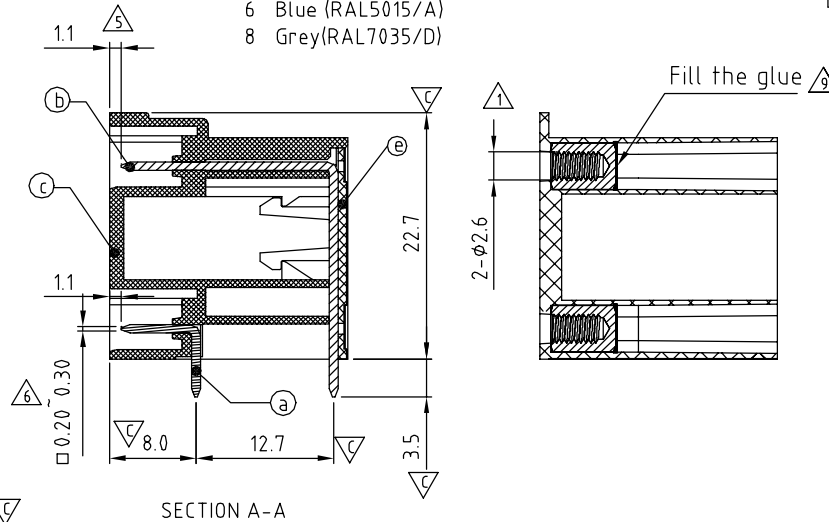
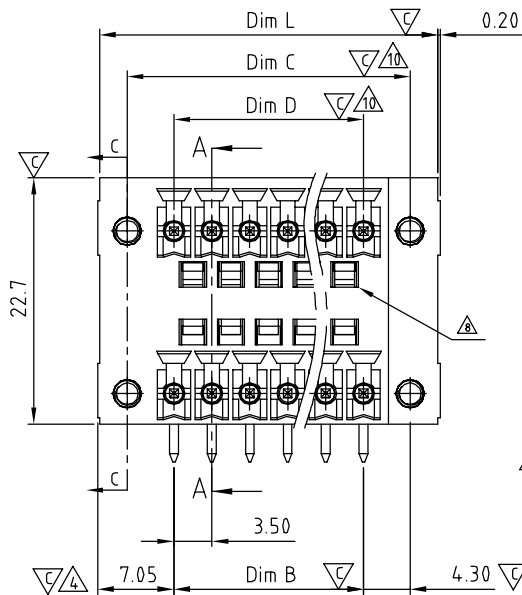
POLES
 04 2x2 CONTACTS
 06 2x3 CONTACTS
 ...
 48 2x24 CONTACTS

COLOR
 0 Black (RAL9005)
 2 Red (RAL3001/D)
 3 Orange(RAL2011/P)
 4 Yellow(RAL1018/A)
 5 Green(RAL6018/T)
 6 Blue (RAL5015/A)
 8 Grey(RAL7035/D)

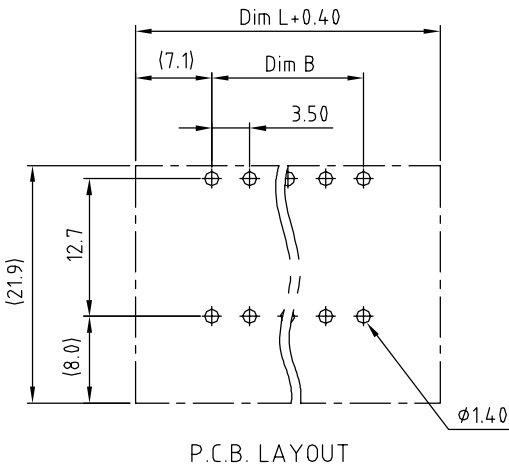
G: RoHS compliant
 (lead<4%)
 In copper Alloy
 0000: "@" Logo
 000A: "ANYTEK" Mark
 Any special item by
 customer request.
 please contact sales
 department.

| SIGN | DATE | DESCRIPTION | APPROVER |
|------|------------|--|----------|
| △ | 2009.6.08 | The design is changed | Jacke |
| △ | 2009.6.08 | Add UL standard | Jacke |
| △ | 2009.6.08 | The current rating and operating temperature are changed | Jacke |
| △ | 2009.6.08 | Corrected dimension △ from 6.85mm to 7.05mm | Jacke |
| △ | 2010.01.22 | The demension is changed from 1.60mm to 1.10mm | Jacke |
| △ | 2010.01.22 | The demension is changed from 0.40mm to 0.20~0.30mm | Jacke |
| △ | 2010.03.31 | The material is changed from Brass to Copper | Jacke |
| △ | 2010.04.01 | The design is changed | Jacke |
| △ | 2012.04.24 | Flange nut is changed | Chen Bo |
| △ | 2012.04.24 | The Dimension Dim C & Dim D & 0.20 are added | Chen Bo |

THIS IS CAD DRAWING, DO NOT REVISE MANUALLY!!!



- Material**
- △ Item ① Short contact pin: Copper Tin plated
 - Item ② Long contact pin :Copper Tin plated
 - Item ③ Terminal (housing): Thermoplastic (UL94V-0)
 - Item ④ With flange nut : Brass (CuZn)
 - Item ⑤ Terminal (cover): Thermoplastic (UL94V-0)
- Electrica cULus
- Voltage rating: 300VAC
 - △ Item ③ ● Current rating: 8A
 - Wire range:
 - Solid wire(AWG):
 - Stranded wire(AWG):
 - Withstanding Voltage: 1.6KV
 - Operating temperature: -40°C to +115°C
 - △ Item ③ ● Soldering temperature: 260°C±5°C/5 Sec
 - △ Item ② ● Safety Approval:
 - Critical dimension: △



N = Number of poles
 Dim L=(N-1)×3.5+13.7
 Dim B=(N-1)×3.5
 Dim C=(N-1)×3.5+8.6
 Dim D=(N-1)×3.5

| Poles | Dim L | Dim B | Dim C | Dim D |
|------------|-------|-------|-------|-------|
| 2x2-2x6p | ±0.15 | ±0.15 | ±0.15 | ±0.15 |
| 2x7-2x13p | ±0.20 | ±0.20 | ±0.20 | ±0.20 |
| 2x14-2x18p | ±0.25 | ±0.25 | ±0.25 | ±0.25 |
| 2x19-2x24p | ±0.30 | ±0.30 | ±0.30 | ±0.30 |

ANYTEK

CUSTOMER COPY

ALL RIGHTS RESERVED. REPRODUCTION OR ISSUE TO THIRD PARTIES IN ANY FORM WHATSOEVER IS NOT PERMITTED WITHOUT WRITTEN AUTHORITY FROM THE PROPRIETOR. PROPERTY OF ANYTEK TECHNOLOGY CO., LTD

| | | | | |
|----------|---------------|--|---------------------|------------|
| TITLE | | VL-3.5mm Right-angle Series "B Type" With flange | | |
| PART NO. | VLxx14x1xxxxG | DWG NO. | 8VL0404 | |
| APPROVED | CHECKED | DESIGNED | DRAWN | CUST NO. |
| | | Chen Bo 04/23'12 | Chen Bo 04/23'12 | |
| | | | | |
| | | | | Tolerance |
| | | | | X. ±0.50 |
| | | | | X.X ±0.30 |
| | | | | X.XX ±0.10 |
| | | | | X° ±1° |

UNIT: mm
SCALE: NONE
SHEET: 01/01
REV.: E