

# Customer Information Sheet

DRAWING No.: SI621-XXR

SHEET 2 OF 2

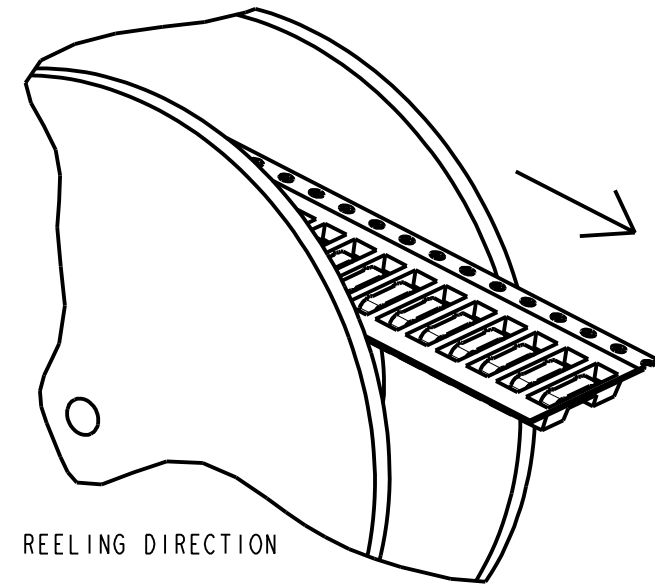
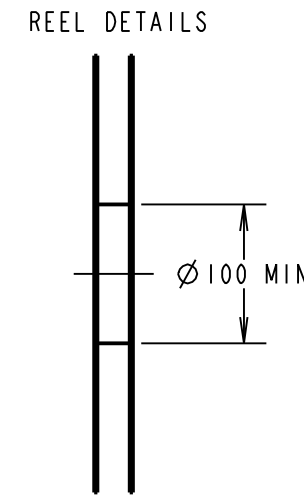
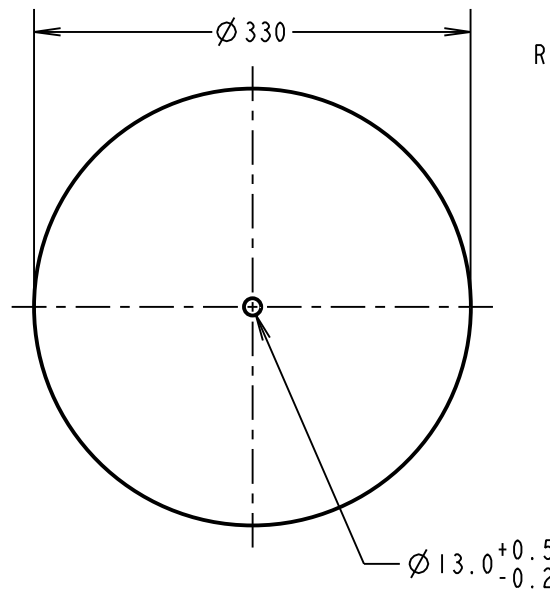
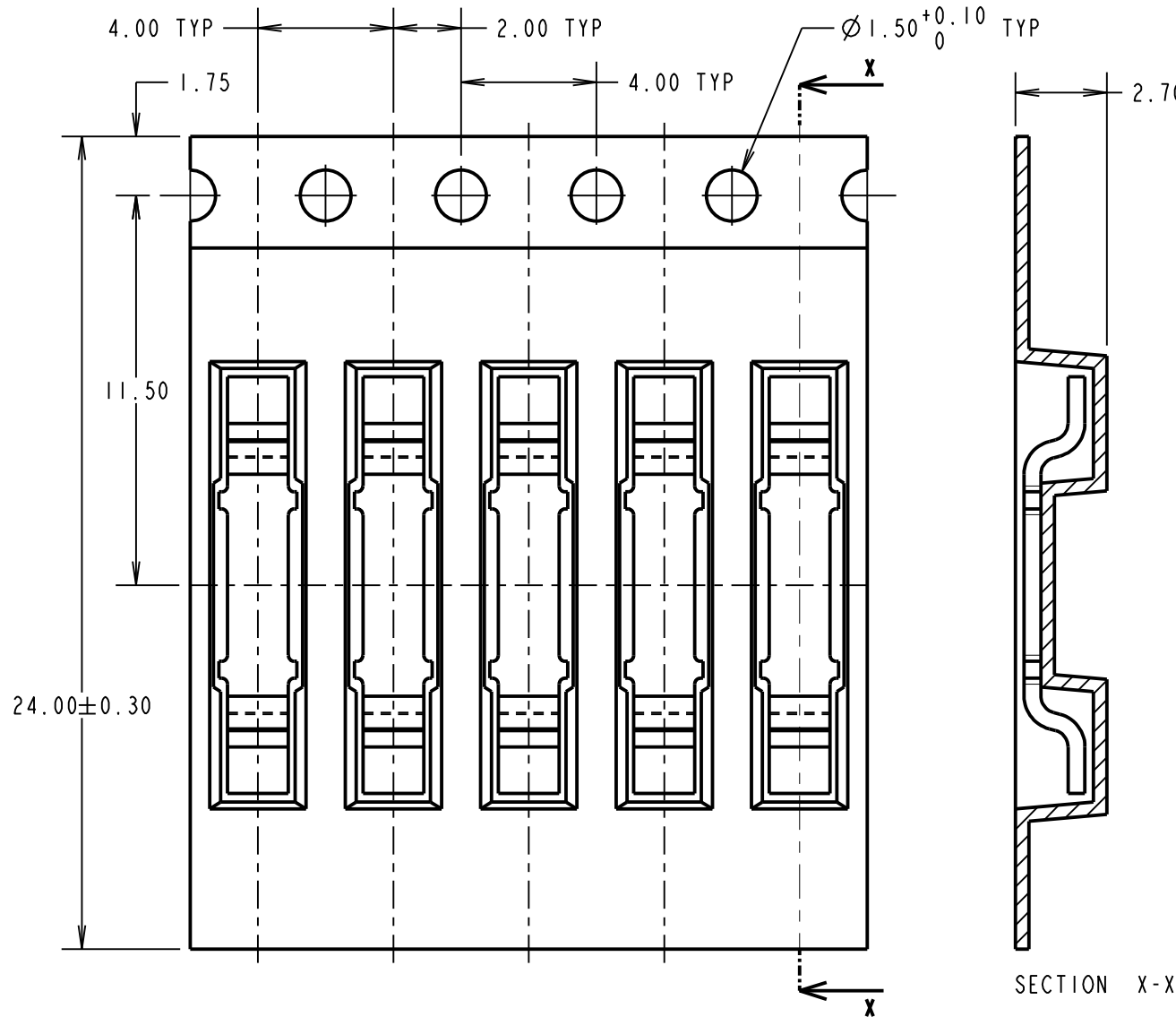
IF IN DOUBT - ASK

©

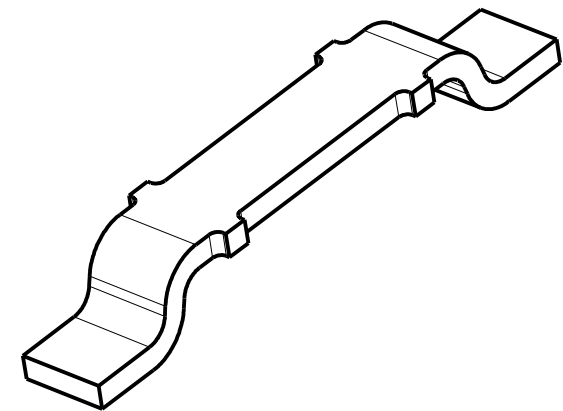
NOT TO SCALE

THIRD ANGLE PROJECTION

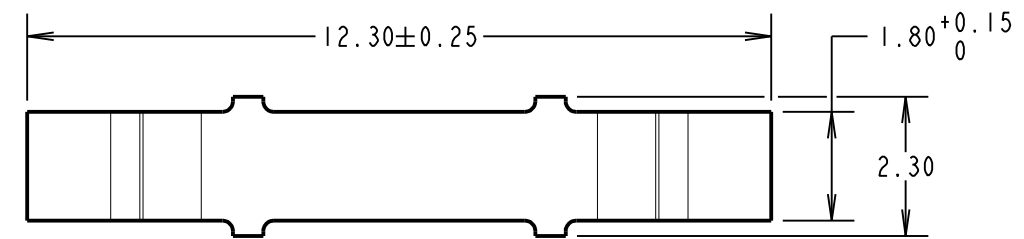
ALL DIMENSIONS IN mm



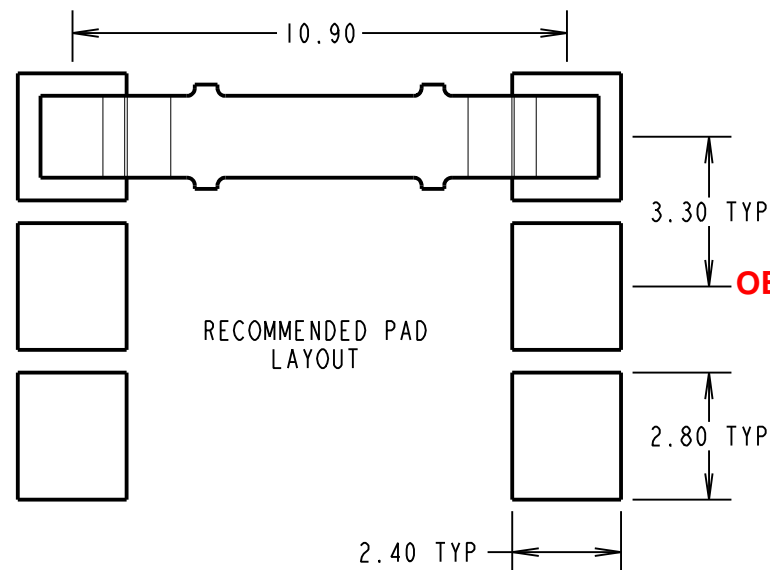
- NOTES:
1. QUANTITY PER REEL = 5,000.
  2. THIS PRODUCT IS TAPED AND REELED IN ACCORDANCE WITH EIA-481 (ELECTRONIC INDUSTRIES ASSOCIATION).
  3. FOR LOOSE COMPONENTS, SEE SI621-XX.



COMPONENT SPECIFICATION:  
 MATERIAL = BRASS CW508L 1/2 HARD  
 FINISH  
~~06 = 4µ 90/10 TIN/LEAD~~  
 46 = 4µ 100% TIN  
 ELECTRICAL:  
 CURRENT RATING = 10A (30°C TEMP RISE)  
 CONTACT RESISTANCE = 20mΩ MAX  
 ENVIRONMENTAL:  
 OPERATING TEMPERATURE = -40°C TO +125°C

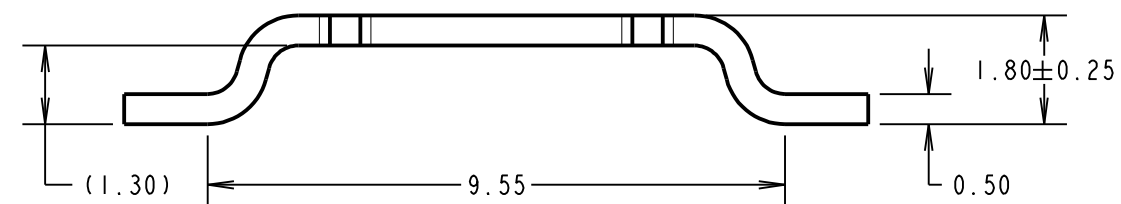


COMPONENT DETAILS



**OBSELETE**

ORDER CODE:  
**SI621-XXR**  
 FINISH  
~~06 = 4µ 90/10 TIN/LEAD OVER NICKEL~~  
 46 = 3µ 100% TIN OVER NICKEL



MSP	9	16.10.15	13113
NAME	ISS.	DATE	C/NOTE
APPROVED: M. PERREN			
CHECKED: S. BENNETT			
DRAWN: W. J. BOURNE			
CUSTOMER REF.:			
ASSEMBLY DRG:			

**HARWIN**

www.harwin.com  
 technical@harwin.com

THIS DRAWING AND ANY INFORMATION OR DESCRIPTIVE MATTER SET OUT HEREON ARE CONFIDENTIAL AND COPYRIGHT PROPERTY OF THE HARWIN GROUP AND MUST NOT BE DISCLOSED, LOANED, COPIED OR USED FOR MANUFACTURING, TENDERING OR FOR ANY OTHER PURPOSE WITHOUT THEIR WRITTEN PERMISSION.

TOLERANCES  
 X. = ±1mm  
 X.X = ±0.50mm  
 X.XX = ±0.10mm  
 X.XXX = ±0.01mm  
 ANGLES = ±5°  
 UNLESS STATED

MATERIAL:  
 SEE ABOVE  
 FINISH:  
 S/AREA: mm<sup>2</sup>

TITLE:  
 SURFACE MOUNT JUMPER  
 (TAPE AND REELED)

DRAWING NUMBER:  
**SI621-XXR** SHT 2 OF 2