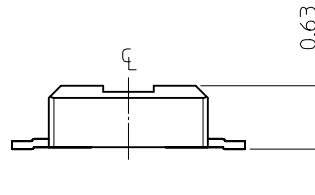
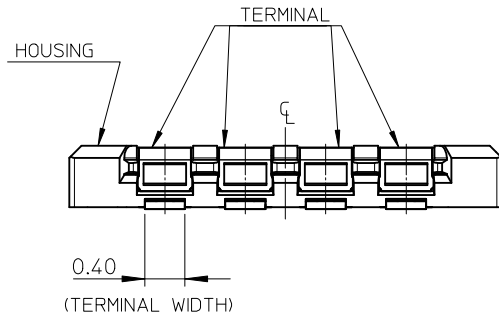


NOTES

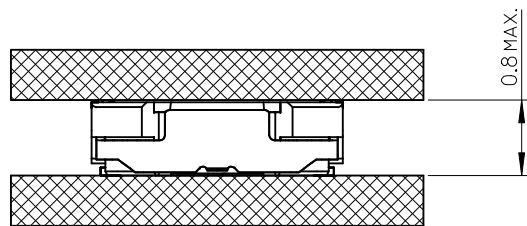
1. MATERIAL  
HOUSING: LIQUID CRYSTAL POLYMER UL94V-0 (COLOR: BLACK)  
TERMINAL FOR POWER OR SIGNAL CIRCUIT : COPPER ALLOY
2. PLATING  
TERMINAL FOR POWER OR SIGNAL CIRCUIT  
GOLD  
UNDER PLATING : NICKEL  
\* DIVIDE INTO PARTS THE GOLD PLATING OF THE CONTACT AND THE TAIL PART BY THE NICKEL PLATING.
3. MATE WITH : 104249 SERIES.
4. TAIL COPLANARITY TO BE 0.08 MAXIMUM.
5. ELV and RoHS COMPLIANT.



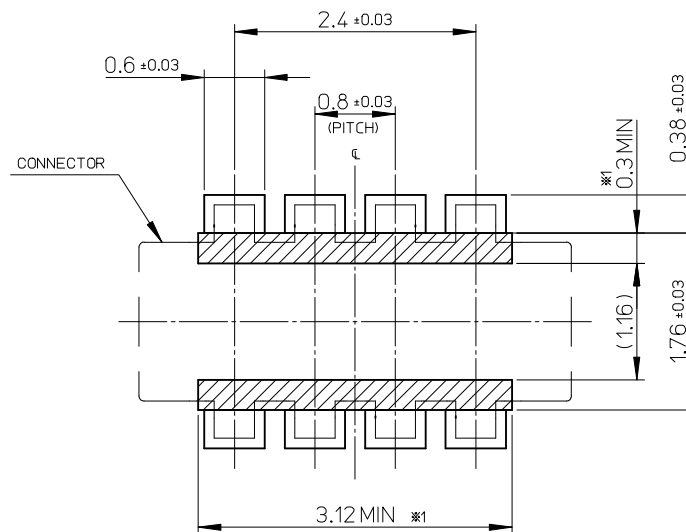
104250-0820	○	-	8
EMBOSSD TAPE PACKAGE	MASS PRODUCTION	LOW VOL. TOOL	CIRCUIT
ORDER NO.	SAMPLE PREPARATION		

CONNECTOR SERIES No. : 104250

REVISED EC NO: KOR2017-0058 DRWN: JHCHANG 2017/05/31 CHKD: KSKIM 2017/06/02 APPR: YSKIM02 2017/06/07	QUALITY SYMBOLS	GENERAL TOLERANCES (UNLESS SPECIFIED)	DIMENSION STYLE MM ONLY	SCALE 20:1	DESIGN UNITS METRIC	THIRD ANGLE PROJECTION			
	△ <sub>F</sub> = 0 △ <sub>E</sub> = 0 △ <sub>B</sub> = 0	4 PLACES ± --- ± --- 3 PLACES ± 0.1 ± --- 2 PLACES ± 0.15 ± --- 1 PLACE ± 0.2 ± --- 0 PLACE ± --- ± ---	mm INCH DRAWN BY DATE JHCHANG 2015/03/06 CHECKED BY DATE KSKIM 2015/06/08 APPROVED BY DATE YSKIM02 2015/06/18	TITLE 0.8 BB CONN H=0.75 BATTERY PLUG OVERMOLD (ONLY POWER TER'L VER)	DOCUMENT NO. SD-104250-001	SHEET NO. 1 OF 4			
							ANGULAR ± 1 °	MATERIAL NO.	SEE CHART THIS DRAWING CONTAINS INFORMATION THAT IS PROPRIETARY TO MOLEX INCORPORATED AND SHOULD NOT BE USED WITHOUT WRITTEN PERMISSION
							DRAFT WHERE APPLICABLE MUST REMAIN WITHIN DIMENSIONS	SIZE A3	



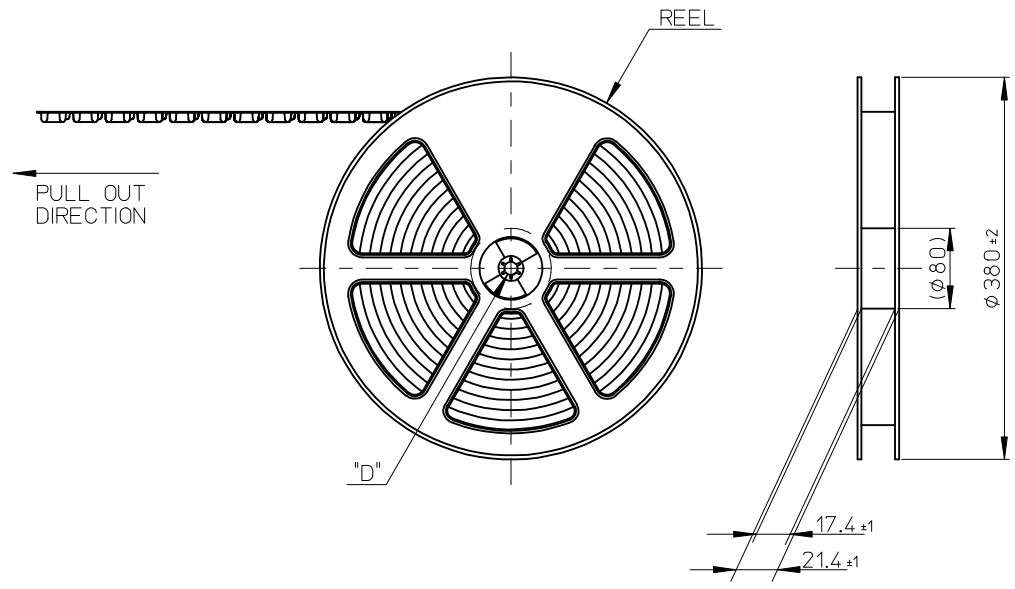
MATED CONDITION



RECOMMENDED P.W.BOARD PATTERN LAYOUT (FOR REFERENCE)  
 RECOMMENDED THICKNESS OF METAL MASK: $t=0.1\text{mm}$   
 RECOMMENDED OPEN APERTURE RATIO OF METAL MASK:70%

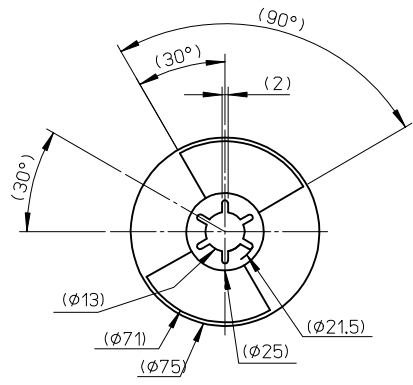
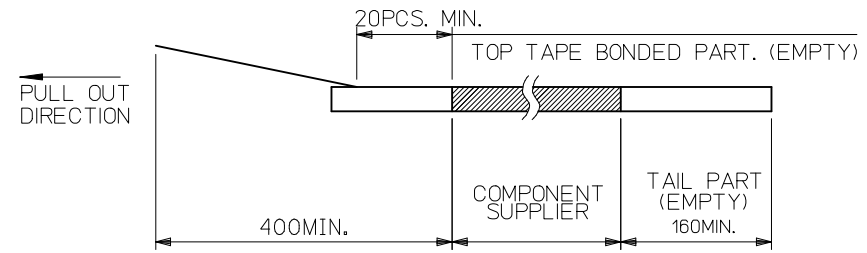
\*1  
 PROHIBITED AREA OF PATTERN WIRING AND SOLDER.  
 (FOR EACH AREA THE WIRING CAN NOT BE AVAILABLE.  
 AND COVERED WITH A FILM KEEP SOLDER OUT)

REVISED EC NO: KOR2017-0058 DRWN: JHCHANG 2017/05/31 CHKD: KSKIM 2017/06/02 APPR: YSKIM02 2017/06/07	QUALITY SYMBOLS $\nabla_F=0$ $\nabla_F=0$ $\nabla_F=0$	GENERAL TOLERANCES (UNLESS SPECIFIED)		DIMENSION STYLE MM ONLY	SCALE 20:1	DESIGN UNITS METRIC	THIRD ANGLE PROJECTION	
				DRAWN BY JHCHANG	DATE 2015/03/06	TITLE 0.8 BB CONN H=0.75 BATTERY PLUG OVERMOLD (ONLY POWER TER'L VER)		
				CHECKED BY KSKIM	DATE 2015/06/08	molex		
				APPROVED BY YSKIM02	DATE 2015/06/18			
		ANGULAR $\pm 1^\circ$		MATERIAL NO.	DOCUMENT NO.		SHEET NO.	
		DRAFT WHERE APPLICABLE MUST REMAIN WITHIN DIMENSIONS		SEE SHEET 1		SD-104250-001	2 OF 4	
				SIZE A3	THIS DRAWING CONTAINS INFORMATION THAT IS PROPRIETARY TO MOLEX INCORPORATED AND SHOULD NOT BE USED WITHOUT WRITTEN PERMISSION			



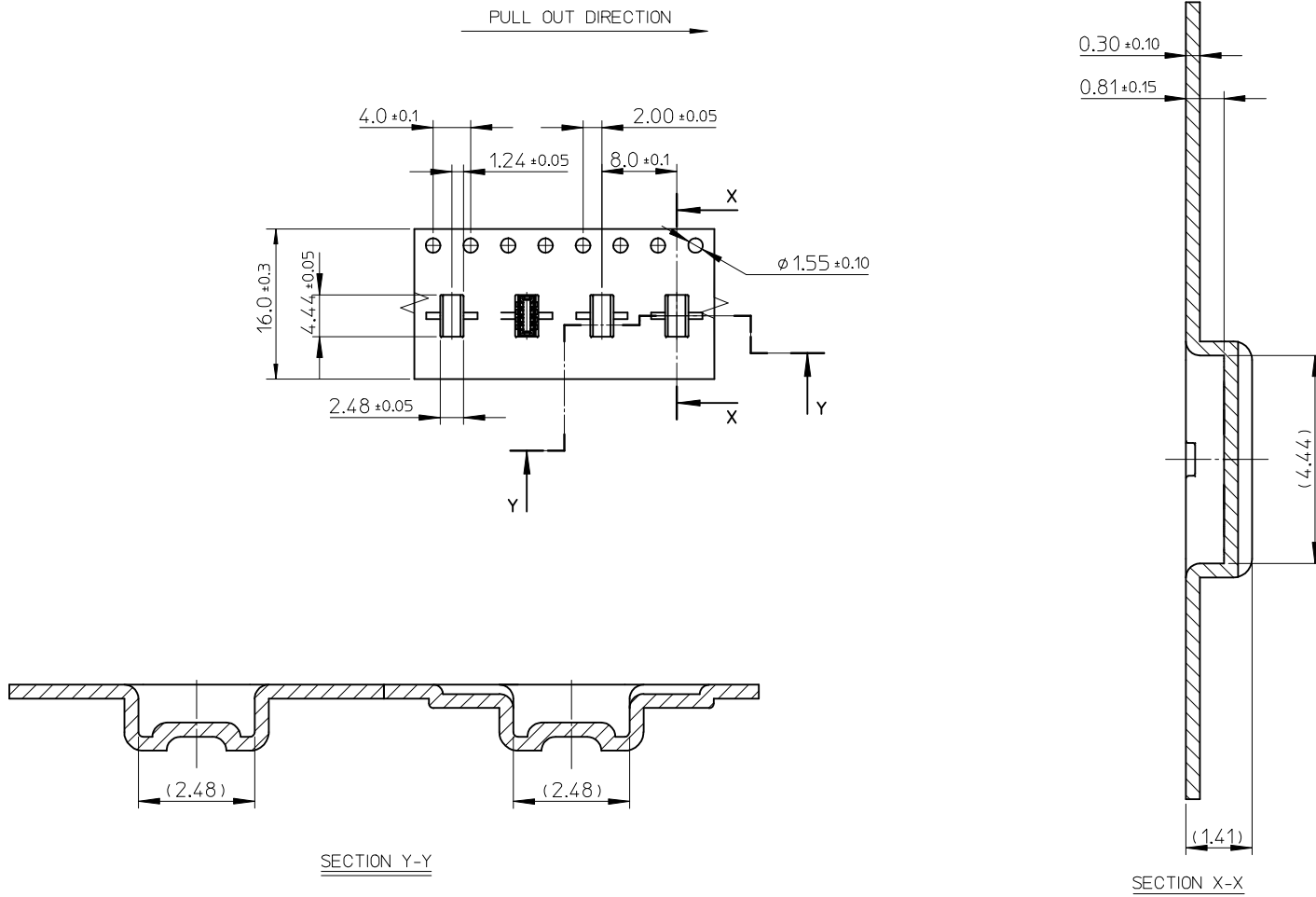
NOTES

1. RE DETAILED DIMENSION, SEE PRODUCT DRAWING.
2. NUMBER OF CONNECTORS : 7000PCS/REEL
3. LEAD TAPE LENGTH
4. COVER TAPE PEEL FORCE IS DEFINED BY IEC60286-3.
5. MATERIAL  
 CARRIER TAPE : POLYSTYRENE  
 TOP TAPE : PET , OTHER  
 REEL : PS  
 POLYSTYRENE (PS) <RECYCLE MATERIAL CONTAINED>
6. ELV AND RoHS COMPLIANT
7. THIS PRODUCT IS HIGH BARRIER PACKAGE INCLUDING SILICAGEL.
8. REFER TO RPS-104250-001 FOR CONDITIONS AFTER OPEN.



DETAIL "D"

REVISED EC NO: KOR2017-0058 DRWN: JHCHANG 2017/05/31 CH'KD: KSKIM 2017/06/02 APPR: YSKIM02 2017/06/07	QUALITY SYMBOLS	GENERAL TOLERANCES (UNLESS SPECIFIED)		DIMENSION STYLE MM ONLY		SCALE 20:1	DESIGN UNITS METRIC	THIRD ANGLE PROJECTION
	$F_A=0$	mm	INCH	DRAWN BY JHCHANG	DATE 2015/03/06	TITLE 0.8 BB CONN H=0.75 BATTERY PLUG OVERMOLD (ONLY POWER TER'L VER)		
	$F_B=0$	4 PLACES ± ---	± ---	CHECKED BY KSKIM	DATE 2015/06/08	<b>molex</b> DOCUMENT NO. SD-104250-001 SHEET NO. 3 OF 4		
	$F_C=0$	3 PLACES ± 0.1	± ---	APPROVED BY YSKIM02	DATE 2015/06/18			
$F_D=0$	2 PLACES ± 0.15	± ---	MATERIAL NO.		SEE SHEET 1			
	1 PLACE ± 0.2	± ---	ANGULAR ± 1 °		THIS DRAWING CONTAINS INFORMATION THAT IS PROPRIETARY TO MOLEX INCORPORATED AND SHOULD NOT BE USED WITHOUT WRITTEN PERMISSION			
	0 PLACE ± ---	± ---	DRAFT WHERE APPLICABLE MUST REMAIN WITHIN DIMENSIONS					



REVISED EC NO: KOR2017-0058 DRWN: JHCHANG 2017/05/31 CHKD: KSKIM 2017/06/02 APPR: YSKIM02 2017/06/07	QUALITY SYMBOLS	GENERAL TOLERANCES (UNLESS SPECIFIED)	DIMENSION STYLE	SCALE	DESIGN UNITS	THIRD ANGLE PROJECTION	
	$F_{\Delta} = 0$ $F_{\Delta} = 0$ $F_{\Delta} = 0$	mm    INCH 4 PLACES ± --- ± --- 3 PLACES ± 0.1 ± --- 2 PLACES ± 0.15 ± --- 1 PLACE ± 0.2 ± --- 0 PLACE ± --- ± ---	MM ONLY	20:1	METRIC		
	DRAFT WHERE APPLICABLE MUST REMAIN WITHIN DIMENSIONS	ANGULAR ± 1°	DRAWN BY: JHCHANG    DATE: 2015/03/06 CHECKED BY: KSKIM    DATE: 2015/06/08 APPROVED BY: YSKIM02    DATE: 2015/06/18	TITLE	0.8 BB CONN H=0.75 BATTERY PLUG OVERMOLD (ONLY POWER TER'L VER)		
			SEE SHEET 1	MATERIAL NO.	DOCUMENT NO.	SHEET NO. 4 OF 4	

