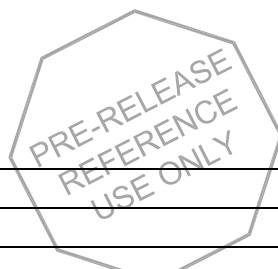


1. 製品名称 / PRODUCT NAME : PICO-EZ MATE H=1.2MM 1.2 WB EMBOSSED TAPE PACKAGING
製品番号 / PART NUMBER : 2026560021

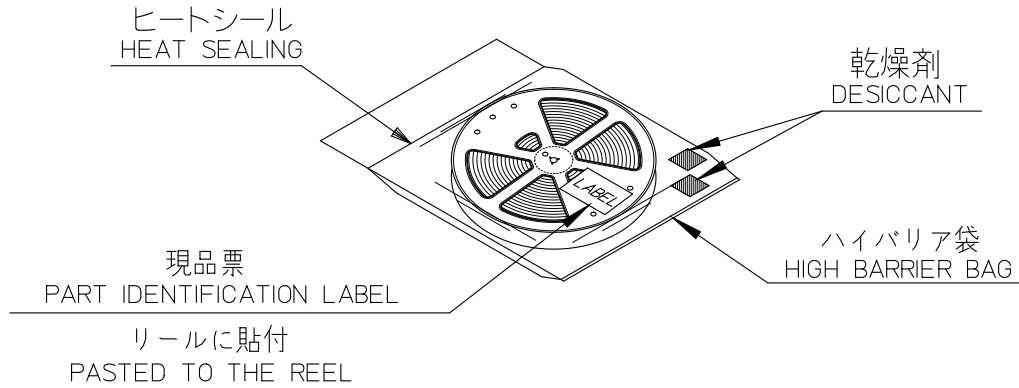
2. 標準梱包数 / STANDARD PACKAGING QUANTITY

極数 CKT. SIZE	キャリア テープ幅 (mm) CARRIER TAPE WIDTH (mm)	1 リール中の製品数 QTY. PER REEL	外装カートン SHIPPING CARTON	
			梱包リール数 NUMBER OF REELS	製品数 QUANTITY
2	16	4,500	8	36,000



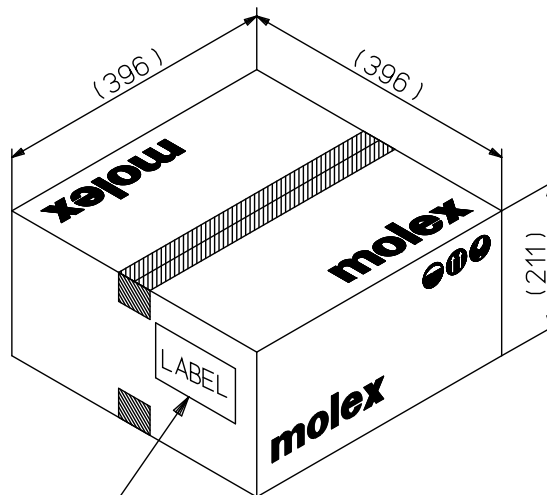
REV.	A				
SHEET	1~2				
REVISE ON PC ONLY		TITLE:			
A	RELEASED 115730 2017/04/14 Y.TOKUZONO	202656 梱包仕様書 SALES PACKAGING SPEC. FOR 202656			
	THIS DOCUMENT CONTAINS INFORMATION THAT IS PROPRIETARY TO MOLEX ELECTRONIC TECHNOLOGIES, LLC AND SHOULD NOT BE USED WITHOUT WRITTEN PERMISSION				
REV.	DESCRIPTION				
DESIGN CONTROL J	STATUS	WRITTEN BY: YTOKUZONO	CHECKED BY: K.TAKAHASHI	APPROVED BY: M.SASAO	DATE: 2017/04/13
DOCUMENT NUMBER 2026569200		DOC. TYPE PS	DOC. PART 200	CUSTOMER GENERAL	SHEET 1 OF 2

3. ハイバリア袋への梱包方法及びラベル貼付位置/PACKAGING METHOD FOR HIGH BARRIER BAG AND LABEL POSITION.



4. カートン外形参考寸法/CARTON OUTER DIMENSIONS (REFERENCE PURPOSE ONLY)

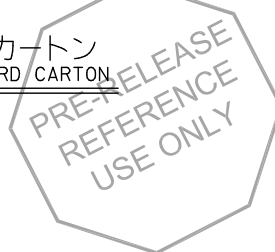
単位/UNIT: mm



カートンラベル
CARTON LABEL

(製品型番, 数量, ロットNO. 表示)
INDICATION OF PART No., QUANTITY, LOT No.

標準カートン
STANDARD CARTON



REVISE ON PC ONLY		TITLE:			
A	SEE SHEET 1 OF 2	202656 梱包仕様書 SALES PACKAGING SPEC. FOR 202656			
	REV.	DESCRIPTION	THIS DOCUMENT CONTAINS INFORMATION THAT IS PROPRIETARY TO MOLEX ELECTRONIC TECHNOLOGIES, LLC AND SHOULD NOT BE USED WITHOUT WRITTEN PERMISSION		
DOCUMENT NUMBER 2026569200		DOC. TYPE PS	DOC. PART 200	CUSTOMER GENERAL	SHEET 2 OF 2