

REF5025-HT Low-Noise, Very-Low-Drift, Precision Voltage Reference

1 Features

- Low Temperature Drift: 40 ppm/°C
- Low Noise: 3 $\mu\text{V}_{\text{PP}}/\text{V}$
- High Output Current: ± 7 mA
- Low Temperature Drift: 5 ppm/°C (Maximum)
- Available in Military (-55°C to $+210^\circ\text{C}$) Temperature Range ⁽¹⁾
- Extended Product Life Cycle
- Extended Product-Change Notification
- Product Traceability

2 Applications

- 16-Bit Data Acquisition Systems
- ATE Equipment
- Industrial Process Control
- Medical Instrumentation
- Optical Control Systems
- Precision Instrumentation
- Controlled Baseline
- One Assembly and Test Site
- One Fabrication Site

(1) Custom temperature ranges available

3 Description

The REF5025-HT is a low-noise, very low-drift, very high precision voltage references. This reference is capable of both sinking and sourcing, and is very robust with regard to line and load changes.

Excellent temperature drift and high accuracy are achieved using proprietary design techniques. These features, combined with very low noise, make the REF5025-HT suitable for use in high-precision data acquisition systems.

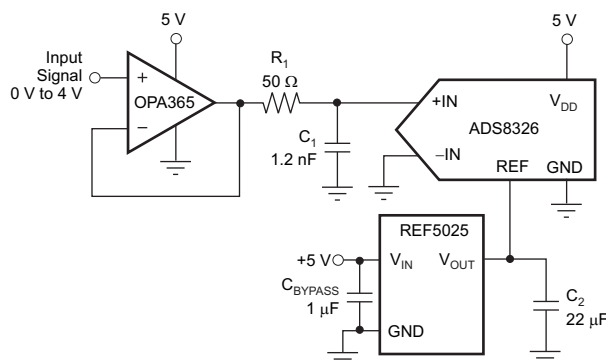
The device is offered in HKJ and HKQ packages, as well as Known-Good-Die (KGD) form, and is specified from -55°C to $+210^\circ\text{C}$.

Device Information(a)

PART NUMBER	PACKAGE	BODY SIZE (NOM)
REF5025-HT	CFP (HKJ)(8)	6.9 mm x 5.65 mm
	CFP (HKQ) (8)	6.9 mm x 5.65 mm
	XCEPT (KGD) (0)	2.04 mm x 1.676 mm

(a) For all available packages, see the orderable addendum at the end of the data sheet.

Simplified Schematic



Copyright © 2016, Texas Instruments Incorporated



Table of Contents

1 Features	1	8 Application and Implementation	15
2 Applications	1	8.1 Application Information.....	15
3 Description	1	8.2 Typical Applications	15
4 Revision History	2	8.3 System Example	19
5 Pin Configuration and Functions	3	9 Power Supply Recommendations	21
6 Specifications	5	10 Layout	22
6.1 Absolute Maximum Ratings	5	10.1 Layout Guidelines	22
6.2 ESD Ratings.....	5	10.2 Layout Example	22
6.3 Recommended Operating Conditions.....	5	10.3 Power Dissipation	22
6.4 Thermal Information	5	11 Device and Documentation Support	23
6.5 Electrical Characteristics.....	6	11.1 Documentation Support	23
6.6 Typical Characteristics.....	8	11.2 Receiving Notification of Documentation Updates	23
7 Detailed Description	12	11.3 Community Resources.....	23
7.1 Overview	12	11.4 Trademarks	23
7.2 Functional Block Diagram	12	11.5 Electrostatic Discharge Caution.....	23
7.3 Feature Description.....	12	11.6 Glossary	23
7.4 Device Functional Modes.....	14	12 Mechanical, Packaging, and Orderable Information	23

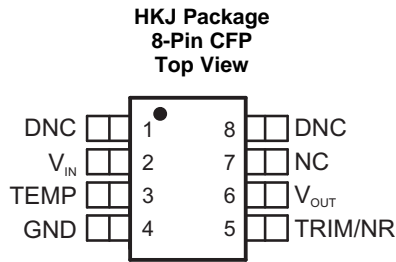
4 Revision History

NOTE: Page numbers for previous revisions may differ from page numbers in the current version.

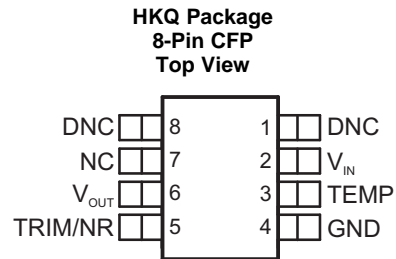
Changes from Revision E (November 2013) to Revision F	Page
• Added <i>ESD Ratings</i> table, <i>Feature Description</i> section, <i>Device Functional Modes</i> , <i>Application and Implementation</i> section, <i>Power Supply Recommendations</i> section, <i>Layout</i> section, <i>Device and Documentation Support</i> section, and <i>Mechanical, Packaging, and Orderable Information</i> section	1
• Deleted <i>Ordering Information</i> table, see POA at the end of the data sheet.....	1

Changes from Revision D (April 2012) to Revision E	Page
• Added KGD2 package option	1

5 Pin Configuration and Functions



DNC = Do not connect
NC = No internal connection



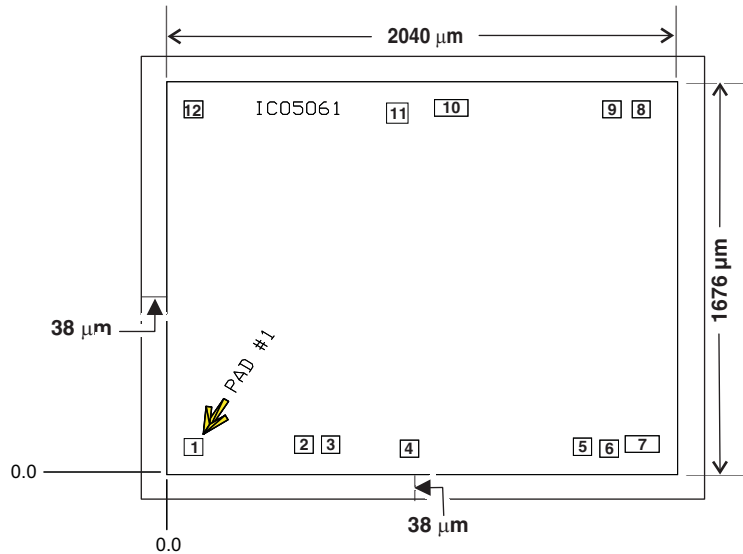
HKQ is a dead bug performed version of HKJ

Pin Functions

PIN		I/O	DESCRIPTION
NAME	NO.		
DNC	1, 8	—	Do not connect
GND	4	Power	System ground
NC	7	—	No internal connection
TEMP	3	O	Temperature monitoring pin provides a temperature-dependent voltage output
TRIM/NR	5	I	Output adjustment and noise reduction input. Connecting 1 μ F to this pin creates a low-pass filter at the bandgap and reduce output noise
V_{IN}	2	Power	Power supply voltage. Range from $V_{OUT} + 0.2$ V up to 18 V. TI recommends a bypass capacitor with a value from 1 μ F up to 10 μ F
V_{OUT}	6	O	Very accurate, factory-trimmed voltage output. TI recommends a bypass capacitor with a value from 1 μ F up to 50 μ F with ESR between 1 and 1.5 Ω

Bare Die Information

DIE THICKNESS	BACKSIDE FINISH	BACKSIDE POTENTIAL	BOND PAD METALLIZATION COMPOSITION	BOND PAD THICKNESS
15 mils	Silicon with backgrind	GND	Al-Cu (0.5%)	598 nm



Bond Pad Coordinates in Microns

DESCRIPTION	PAD NUMBER	X MIN	Y MIN	X MAX	Y MAX
NC	1	35.45	46.55	111.45	122.55
NC	2	496.75	56.55	572.75	132.55
VIN	3	607.45	56.55	683.45	132.55
NC	4	637.9	39.4	1013.9	115.4
TEMP	5	1660.1	47.2	1736.1	123.2
GND	6	1770.9	38.85	1847.05	115
GND	7	1877.1	59.6	2016.8	135.6
TRIM/NR	8	1904.65	1553.4	1980.65	1629.4
NC	9	1782.15	1553.4	1858.15	1629.4
VOUT	10	1080.2	1559.85	1219.9	1636
VOUT	11	880.25	1543.55	956.25	1619.55
NC	12	35.45	1553.45	111.45	1629.45

6 Specifications

6.1 Absolute Maximum Ratings

over operating free-air temperature range (unless otherwise noted)⁽¹⁾

	MIN	MAX	UNIT
Input voltage V_{IN}		18	V
Output short-circuit		30	mA
Operating temperature	-55	210	°C
Junction temperature, T_J		210	°C
Storage temperature, T_{stg}	-65	210	°C

(1) Stresses beyond those listed under *Absolute Maximum Ratings* may cause permanent damage to the device. These are stress ratings only, which do not imply functional operation of the device at these or any other conditions beyond those indicated under *Recommended Operating Conditions*. Exposure to absolute-maximum-rated conditions for extended periods may affect device reliability.

6.2 ESD Ratings

	VALUE	UNIT
$V_{(ESD)}$ Electrostatic discharge	Human body model (HBM), per ANSI/ESDA/JEDEC JS-001 ⁽¹⁾	±3000
	Charged-device model (CDM), per JEDEC specification JESD22-C101 ⁽²⁾	±1000
		V

(1) JEDEC document JEP155 states that 500-V HBM allows safe manufacturing with a standard ESD control process.

(2) JEDEC document JEP157 states that 250-V CDM allows safe manufacturing with a standard ESD control process.

6.3 Recommended Operating Conditions

over operating free-air temperature range (unless otherwise noted)

	MIN	MAX	UNIT
V_{IN}	3.25	18	V
I_{OUT}	-7	7	mA

6.4 Thermal Information

THERMAL METRIC ⁽¹⁾		REF5025-HT	UNIT
		HJK, HKQ (CFP)	
		8 PINS	
$R_{\theta JC}$ Junction-to-case thermal resistance	To ceramic side of case	5.7	°C/W
	To top of case lid (metal side of case)	13.7	

(1) For more information about traditional and new thermal metrics, see the [Semiconductor and IC Package Thermal Metrics](#) application report (SPRA953).

6.5 Electrical Characteristics

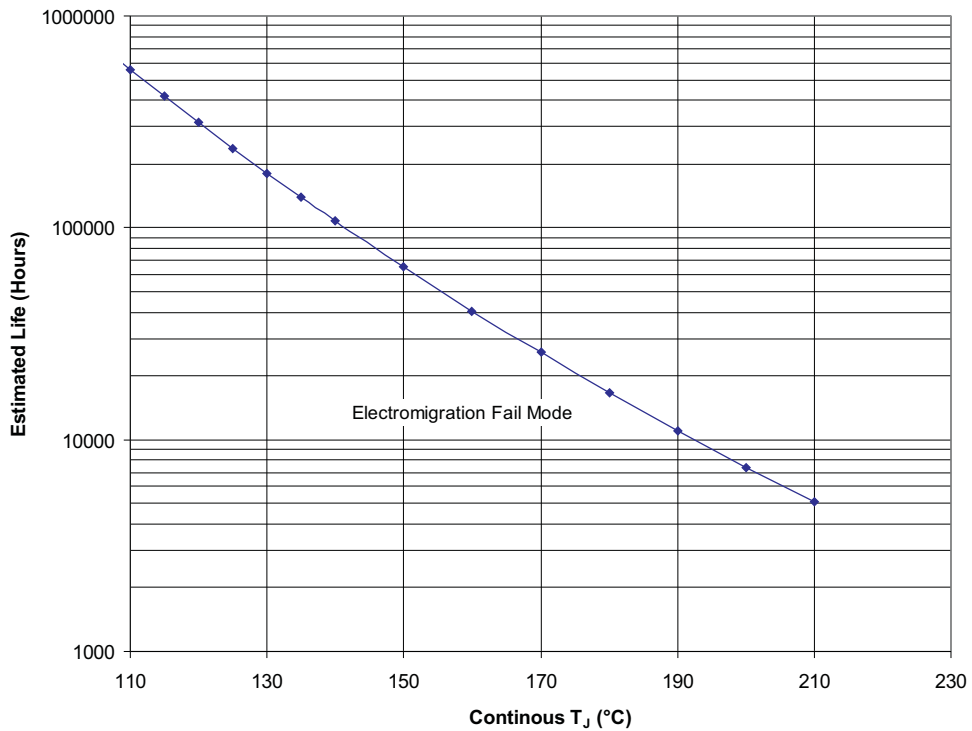
 at $T_A = 25^\circ\text{C}$, $I_{\text{LOAD}} = 0$, $C_L = 1\ \mu\text{F}$, $V_{\text{IN}} = 3.25\ \text{V}$ to $18\ \text{V}$ (unless otherwise noted).

PARAMETER	TEST CONDITIONS	$T_A = -55\ \text{to}\ +125^\circ\text{C}$			$T_A = 210^\circ\text{C}$			UNIT
		MIN	TYP	MAX	MIN	TYP	MAX	
OUTPUT VOLTAGE (2.5 V)								
V_{OUT}	Output voltage		2.5		2.5			V
	Initial accuracy ⁽¹⁾	$V_{\text{IN}} = 3.25\ \text{V}$	0%	0.9%	0.14%			
NOISE								
	Output voltage noise	$f = 0.1\ \text{Hz}$ to $10\ \text{Hz}$	7.5					μV_{PP}
OUTPUT VOLTAGE TEMPERATURE DRIFT								
dV_{OUT}/dT	Output voltage temperature drift ⁽²⁾	Calculated from -55°C to $+210^\circ\text{C}$				40		ppm/ $^\circ\text{C}$
LINE REGULATION								
$dV_{\text{OUT}}/dV_{\text{IN}}$	Line regulation	From $V_{\text{IN}} = 3.25\ \text{V}$ to $V_{\text{IN}} = 18\ \text{V}$	1	2.2	63	215		ppm/V
LOAD REGULATION								
$dV_{\text{OUT}}/dI_{\text{LOAD}}$	Load regulation	$-7\ \text{mA} < I_{\text{LOAD}} < 10\ \text{mA}$, $V_{\text{IN}} = 3.25\ \text{V}$	20	50	20	75		ppm/mA
SHORT-CIRCUIT CURRENT								
I_{SC}	Short-circuit current	$V_{\text{OUT}} = 0\ \text{V}$	25		11			mA
TEMP PIN								
	Voltage output	At $T_A = 25^\circ\text{C}$	575					mV
	Temperature sensitivity ⁽³⁾		2.64					mV/ $^\circ\text{C}$
TURN-ON SETTLING TIME								
	Turn-on settling time	To 0.1% with $C_L = 1\ \mu\text{F}$	200					μs
POWER SUPPLY								
V_S	Supply voltage		3.25	18	3.25	18		V
	Quiescent current		0.8	1.2		1.5		mA
TEMPERATURE RANGE								
	Specified range	-55°C to $+210^\circ\text{C}$						
	Operating range	-55°C to $+210^\circ\text{C}$						

 (1) See [Figure 5](#).

 (2) See [Figure 4](#).

 (3) See [Figure 10](#).



- (1) See [Absolute Maximum Ratings](#) and [Recommended Operating Conditions](#).
- (2) Silicon operating life design goal is 10 years at 105°C junction temperature (does not include package interconnect life).

Figure 1. REF5025SKGD1 and REF5025SKGD2 Operating Life Derating Chart

6.6 Typical Characteristics

at $T_A = 25^\circ\text{C}$, $I_{\text{LOAD}} = 0$, $V_S = 3.25\text{ V}$ (unless otherwise noted).

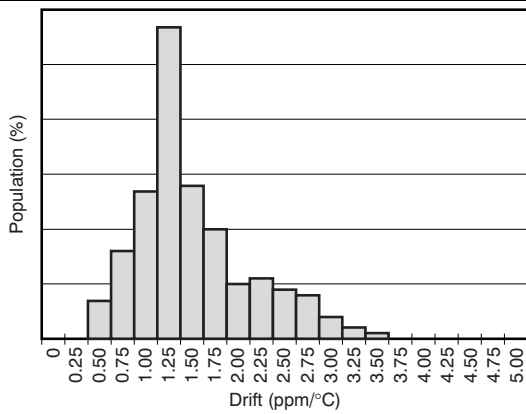


Figure 2. Temperature Drift (0°C to 85°C)

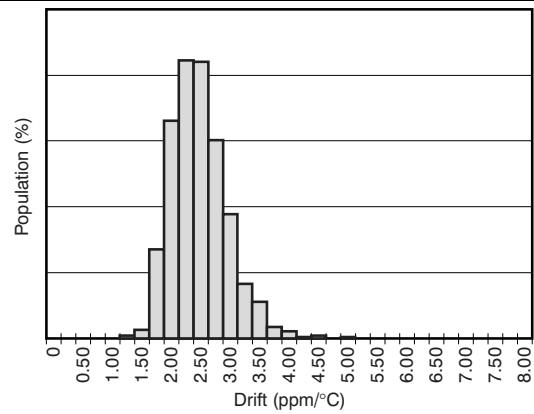


Figure 3. Temperature Drift (-40°C to +125°C)

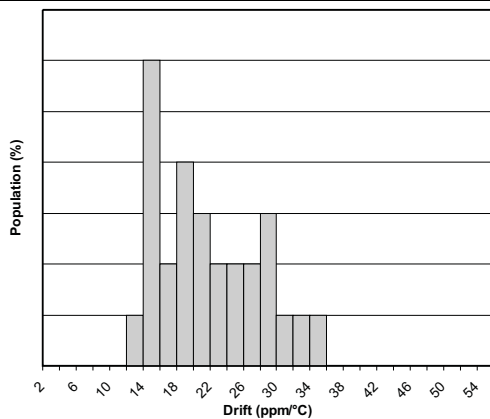


Figure 4. Temperature Drift (-55°C to +210°C)

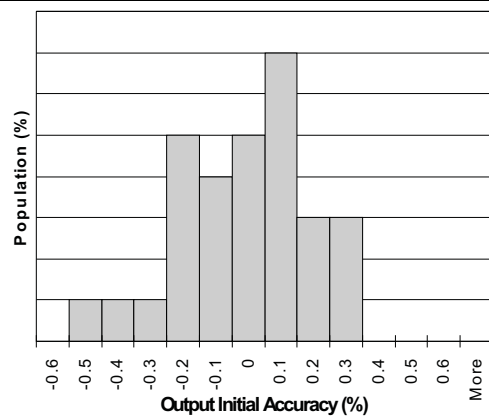


Figure 5. Output Voltage and Initial Accuracy (210°C)

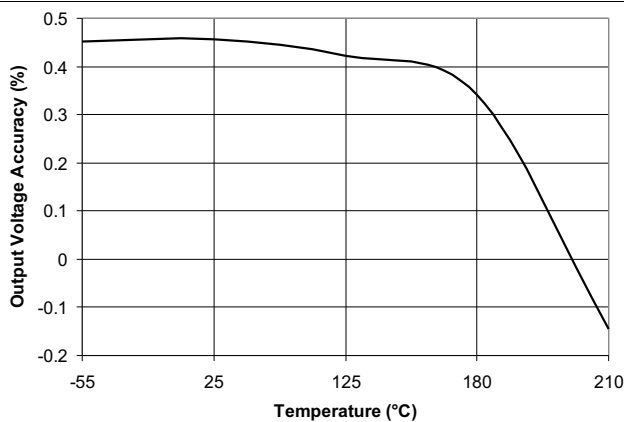


Figure 6. Output Voltage Accuracy vs Temperature

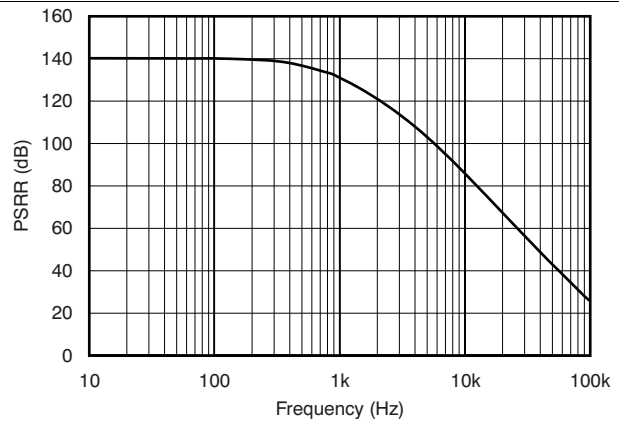


Figure 7. Power-Supply Rejection Ratio vs Frequency

Typical Characteristics (continued)

at $T_A = 25^\circ\text{C}$, $I_{\text{LOAD}} = 0$, $V_S = 3.25\text{ V}$ (unless otherwise noted).

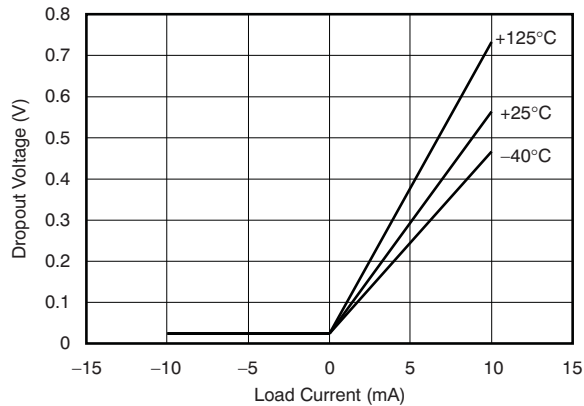


Figure 8. Dropout Voltage vs Load Current

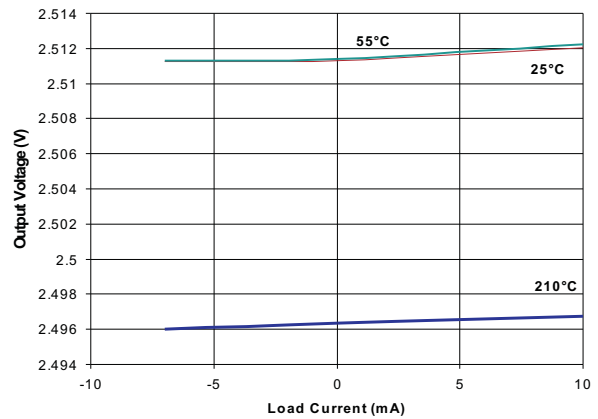


Figure 9. Output Voltage vs Load Current

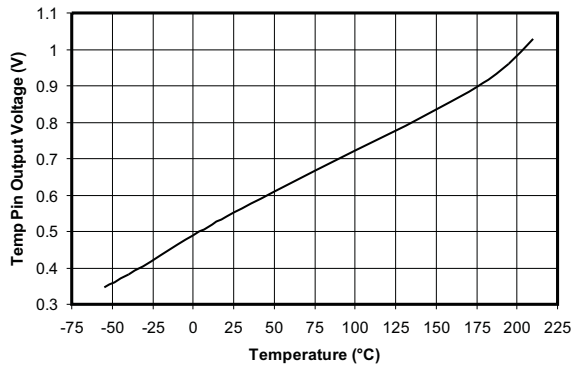


Figure 10. Temperature Pin Output Voltage vs Temperature

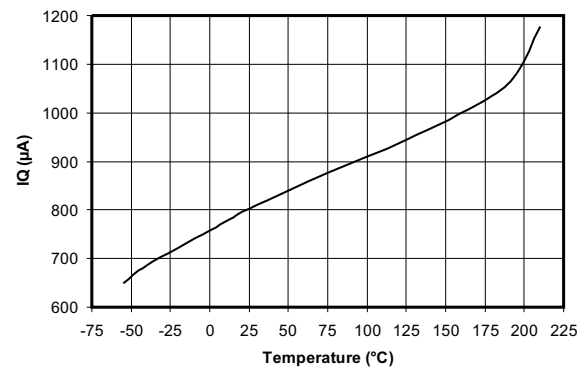


Figure 11. Quiescent Current vs Temperature

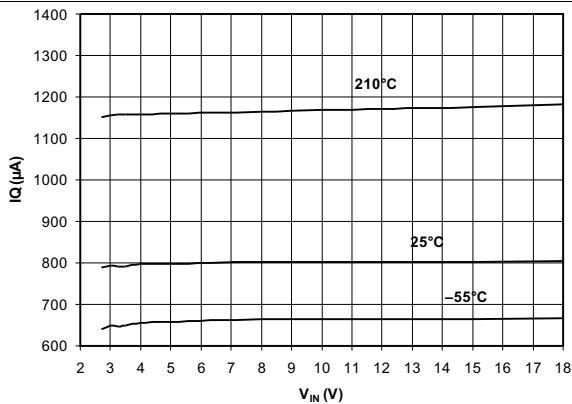


Figure 12. Quiescent Current vs Input Voltage

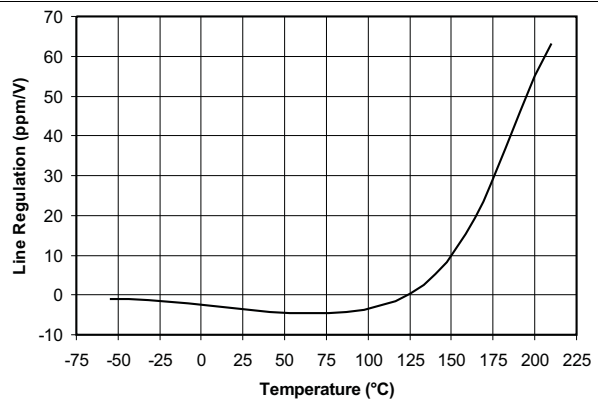


Figure 13. Line Regulation vs Temperature

Typical Characteristics (continued)

at $T_A = 25^\circ\text{C}$, $I_{\text{LOAD}} = 0$, $V_S = 3.25\text{ V}$ (unless otherwise noted).

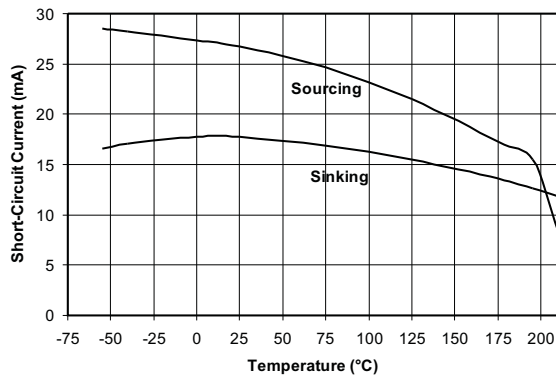


Figure 14. Short-Circuit Current vs Temperature

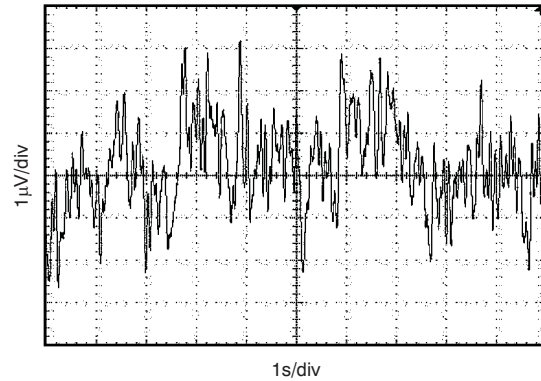


Figure 15. Noise

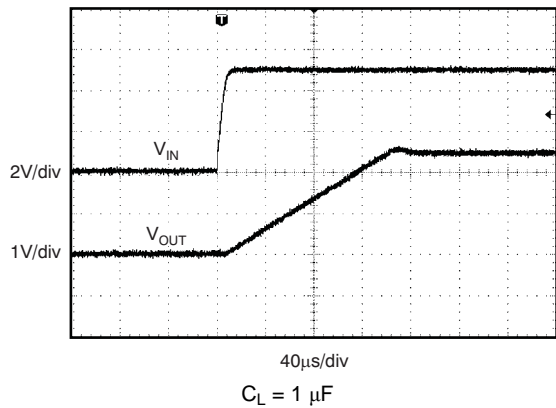


Figure 16. Start-Up (REF5025)

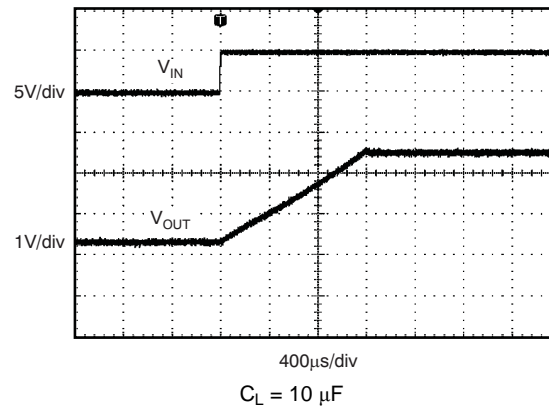


Figure 17. Start-Up (REF5025)

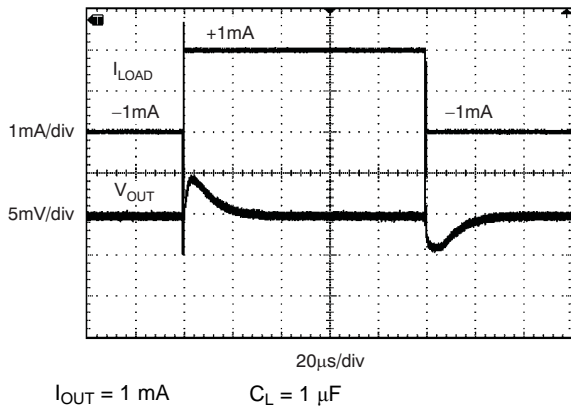


Figure 18. Load Transient

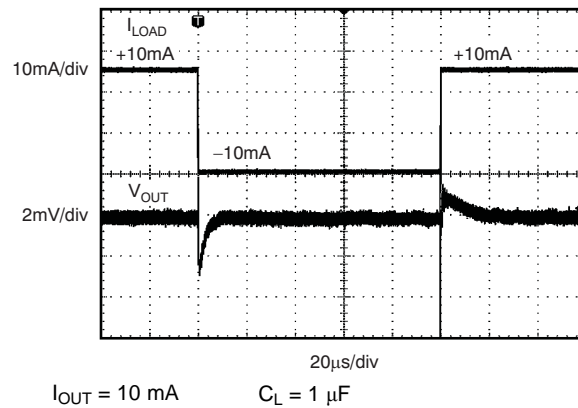


Figure 19. Load Transient

Typical Characteristics (continued)

at $T_A = 25^\circ\text{C}$, $I_{\text{LOAD}} = 0$, $V_S = 3.25\text{ V}$ (unless otherwise noted).

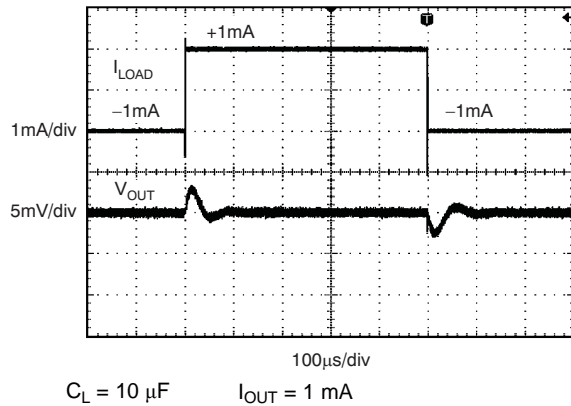


Figure 20. Load Transient

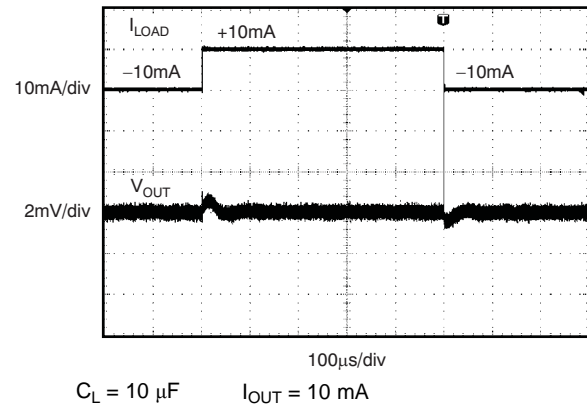


Figure 21. Load Transient

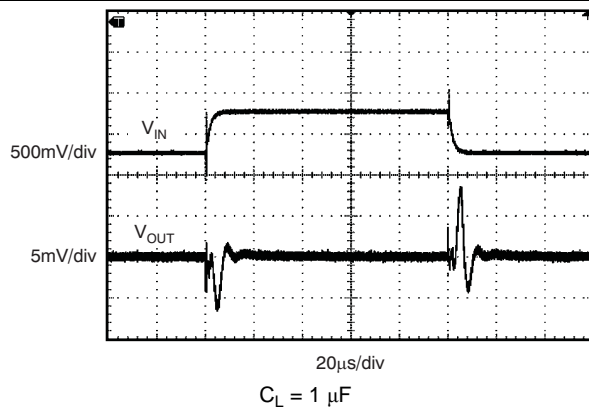


Figure 22. Line Transient

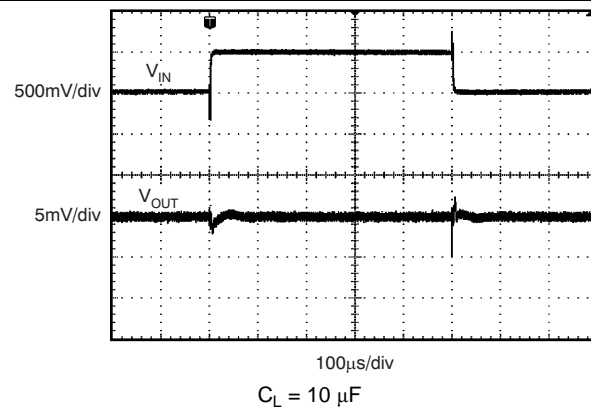


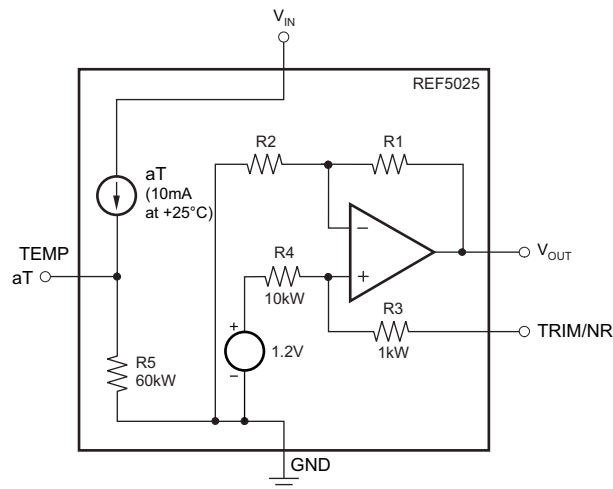
Figure 23. Line Transient

7 Detailed Description

7.1 Overview

The REF5025-HT devices are low-noise, low-drift, very high precision voltage references. These references can both sink and source, and are very robust with regard to line and load changes.

7.2 Functional Block Diagram

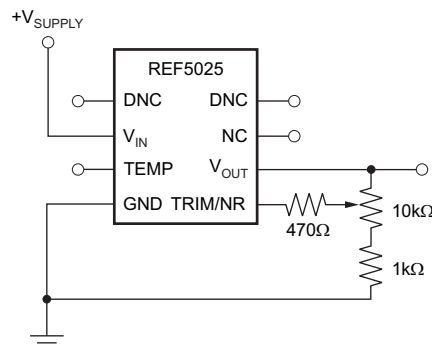


Copyright © 2016, Texas Instruments Incorporated

7.3 Feature Description

7.3.1 Output Adjustment Using the TRIM/NR Pin

The REF5025-HT provides a very accurate, factory-trimmed voltage output. However, V_{OUT} can be adjusted using the trim and noise reduction pin (TRIM/NR, pin 5). [Figure 24](#) shows a typical circuit that allows an output adjustment of ± 15 mV.



Copyright © 2016, Texas Instruments Incorporated

Figure 24. V_{OUT} Adjustment Using the TRIM/NR Pin

The REF5025-HT allows access to the bandgap through the TRIM/NR pin. Placing a capacitor from the TRIM/NR pin to GND (see [Figure 26](#)) in combination with the internal R_3 and R_4 resistors creates a low-pass filter. A capacitance of $1 \mu\text{F}$ creates a low-pass filter with the corner frequency between 10 Hz and 20 Hz. Such a filter decreases the overall noise measured on the V_{OUT} pin by half. Higher capacitance results in a lower filter cutoff frequency, further reducing output noise. Use of this capacitor increases start-up time.

Feature Description (continued)

7.3.2 Low Temperature Drift

The REF5025-HT is designed for minimal drift error, which is defined as the change in output voltage over temperature. The drift is calculated using the box method, as described by [Equation 1](#):

$$\text{Drift} = \left(\frac{V_{\text{OUTMAX}} - V_{\text{OUTMIN}}}{V_{\text{OUT}} \times \text{Temp Range}} \right) \times 10^6 (\text{ppm}) \quad (1)$$

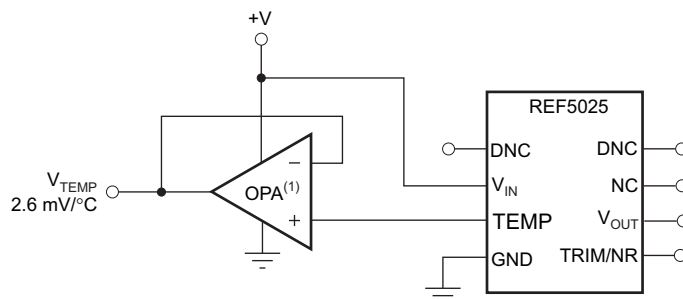
7.3.3 Temperature Monitoring

The temperature output terminal (TEMP, pin 3) provides a temperature-dependent voltage output with approximately 60-kΩ source impedance. As seen in [Figure 10](#), the output voltage follows the nominal relationship:

$$V_{\text{TEMP PIN}} = 509 \text{ mV} + 2.64 \times T(^{\circ}\text{C}) \quad (2)$$

This pin indicates general chip temperature, accurate to approximately $\pm 15^{\circ}\text{C}$. Although it is not generally suitable for accurate temperature measurements, it can be used to indicate temperature changes or for temperature compensation of analog circuitry. A temperature change of 30°C corresponds to an approximate 79 mV change in voltage at the TEMP pin.

The TEMP pin has high output impedance (see [Functional Block Diagram](#)). Loading this pin with a low-impedance circuit induces a measurement error; however, it does not have any effect on V_{OUT} accuracy. To avoid errors caused by low-impedance loading, buffer the TEMP pin output with a suitable low-temperature drift operational amplifiers, such as the [OPA333](#), [OPA335](#), or [OPA376](#), as shown in [Figure 25](#).



NOTE: (1) Low drift op amp, such as the OPA333, OPA335, or OPA376.

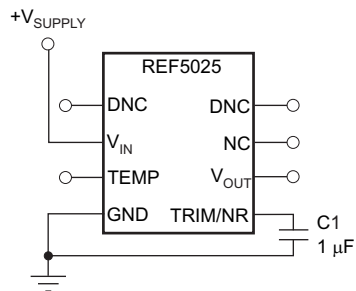
Copyright © 2016, Texas Instruments Incorporated

Figure 25. Buffering the TEMP Pin Output

7.3.4 Noise Performance

Typical 0.1-Hz to 10-Hz voltage noise the REF5025-HT is specified in the [Electrical Characteristics](#) table. The noise voltage increases with output voltage and operating temperature. Additional filtering can improve output noise levels, although take care to ensure the output impedance does not degrade performance.

For additional information about how to minimize noise and maximize performance in mixed-signal applications such as data converters, see [Analog Applications Journal](#) articles entitled [How a Voltage Reference Affects ADC Performance, Part 1](#) (SLYT331), [How the Voltage Reference Affects ADC Performance, Part 2](#) (SLYT339), and [How the Voltage Reference Affects ADC Performance, Part 3](#) (SLYT355). This three-part series is available for download from the TI website.

Feature Description (continued)


Copyright © 2016, Texas Instruments Incorporated

Figure 26. Noise Reduction Using the TRIM/NR Pin
7.4 Device Functional Modes

The REF5025-HT is powered on when the voltage on the V_{IN} pin is greater than 3.25 V. The maximum input voltage for the REF5025-HT is 18 V. Use a supply bypass capacitor with a value ranging from 1 µF to 10 µF. The total capacitive load at the output must be between 1 µF to 50 µF to ensure the best output stability.

8 Application and Implementation

NOTE

Information in the following applications sections is not part of the TI component specification, and TI does not warrant its accuracy or completeness. TI's customers are responsible for determining suitability of components for their purposes. Customers should validate and test their design implementation to confirm system functionality.

8.1 Application Information

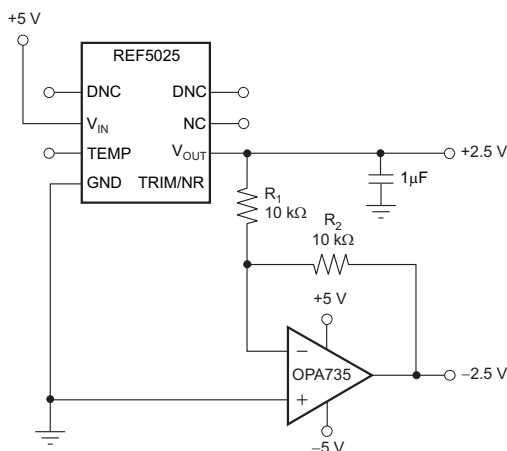
The REF5025-HT device is a low-noise, precision bandgap voltage reference that is specifically designed for excellent initial voltage accuracy and drift. See the [Functional Block Diagram](#).

When designing circuits with a voltage reference, output noise is one of the main concerns. The main source of voltage noise in the reference voltages originates from the bandgap and output amplifier, which contribute significantly to the overall noise. During the design process, it is important to minimize these sources of voltage noise.

8.2 Typical Applications

8.2.1 Negative Reference Voltage

For applications requiring a negative and positive reference voltage, the REF5025-HT and [OPA735](#) can provide a dual-supply reference from a 5-V supply. [Figure 27](#) shows how the REF5025-HT provides a 2.5-V supply reference voltage. The low-drift performance of the REF5025-HT complements the low offset voltage and zero drift of the OPA735 to provide an accurate solution for split-supply applications. Take care to match the temperature coefficients of R_1 and R_2 .



NOTE: Bypass capacitors not shown.

Copyright © 2016, Texas Instruments Incorporated

Figure 27. The REF5025-HT and OPA735 Create Positive and Negative Reference Voltages

8.2.1.1 Design Requirements

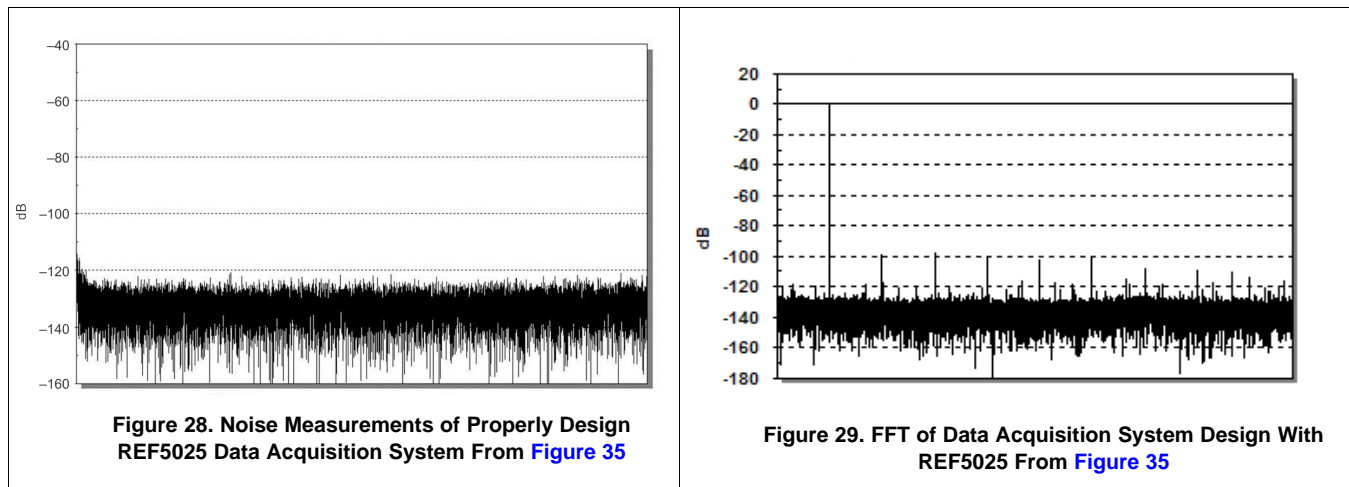
When using REF5025-HT in the design, it is important to select a proper capacitive load that do not create gain peaking adding noise to the output voltage. At the same time, the capacitor must be selected to provide required filtering performance for the system. Input bypass capacitor and noise reduction capacitors must be added for optimum performances.

8.2.1.2 Detailed Design Procedure

Proper design procedure will require first to select output capacitor. If the ESR of the capacitor is not in 1- Ω range additional resistor must be added in series with the load capacitor. Next, add a 1- μ F capacitor to the NR pin to reduce internal noise of the REF5025-HT. Measuring output noise will confirm if the design has met the initial target.

Typical Applications (continued)

8.2.1.3 Application Curves



8.2.2 Positive Reference Voltage

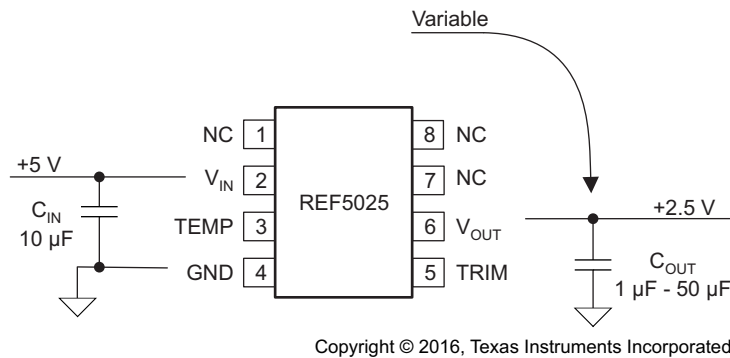


Figure 30. REF5025-HT With Load Capacitor

8.2.2.1 Detailed Design Procedure

8.2.2.1.1 Load Capacitance

To determine how much noise the reference voltage is contributing in a real application, this design uses the circuit presented in Figure 30. For the same conditions as power supply, input decoupling, and load current, measure the output noise for different output decoupling or load capacitors. The load capacitor type will change the low-pass filter frequency that is created on the output. This filter is determined by an added capacitor value and two parasitic components: the open-loop output impedance of the internal amplifier to the reference voltage, and the ESR of the external capacitor.

Figure 31 shows a fast-Fourier-transform (FFT) plot of the output signal of the reference voltage circuit with a 10- μ F ceramic capacitor load. The output noise level peaks at around 9 kHz because of the response of the internal amplifier of the circuit to the capacitive load (C_L).

This peaking is the main contributor to the overall measured noise. This output noise, measured with an analog meter over a frequency range of up to 80 kHz, is approximately 16.5 μ VRMS. If the voltage-reference circuit was connected to the input of an ADC, the measured noise across a 65-kHz frequency range would be 138 μ VPP. This noise level makes this solution adequate for 8- to 14-bit converters.

Typical Applications (continued)

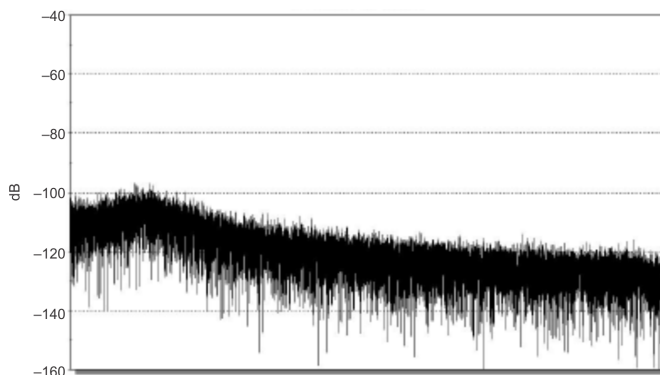


Figure 31. REF5025 FFT Plot of the Noise With 10-μF Load Capacitor and 10-μΩ ESR

Every capacitor can be represented with a complicated equivalent model, which is voltage and frequency dependent with a large number of passive components. For the purposes of this design, this model is limited to the few components. The biggest impact on the creation of the low-pass filter and stability analysis is the simplified model of equivalent series inductance and resistance. Considering good layout practice and inherently low equivalent series inductance of today’s components, this model in the future analysis will be presented only by equivalent capacitance and series resistance.

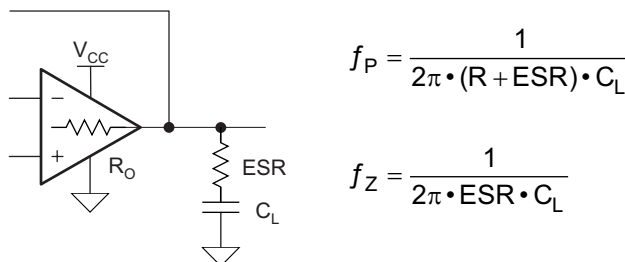


Figure 32. Equivalent SCH of REF5025 With Load Capacitor for Stability Analysis

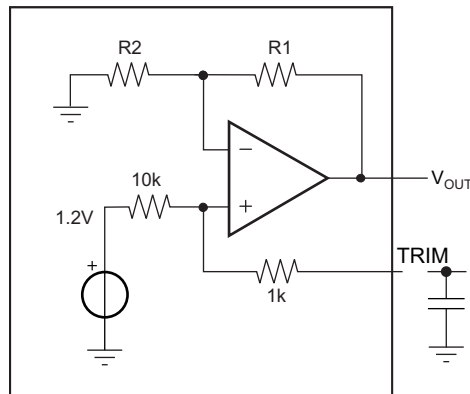
When evaluating the impact of ESR and C_L on the performance the reference voltage, it is important to include the effect of the open-loop output resistance (R_O) of the output amplifier. The combination of R_O , ESR, and C_L modifies the open-loop response curve by introducing one pole (f_P) and one zero (f_Z). The values R_O , ESR, and C_L determine the corner frequency of the added pole f_P ; and the values of ESR and C_L determine the corner frequency of the added zero.

The introduction of the external ESR- C_L on the output of the reference voltage modifies the output amplifier open-loop gain curve. The added pole modifies the open-loop gain curve of the reference voltage output amplifier by introducing a -20 dB/decade change at the frequency f_P to the already -20 dB/decade slope of the open-loop gain curve, making the slope equal to -40 dB/decade. The added zero at frequency f_Z changes the open-loop gain curve back to -20 dB/decade.

Typical Applications (continued)
Table 1. Noise Measurement Results for Different Load Capacitors

NOISE	22 kHz LP-5P	30 kHz LP-3P	80 kHz LP-3P	> 500 kHz	UNIT
GND	0.8	1	1.8	4.9	μV_{RMS}
1 μF	37.8	41.7	53.7	9017	
2.2 μF (cer)	41.7	46.2	55.1	60.8	
10 μF	33.4	33.4	35.2	38.5	
10 μF (cer)	37.1	37.2	37.8	39.1	
20 μF (cer)	33.1	33.1	33.2	34.5	
47 μF	23.2	23.8	24.1	26.5	

Table 1 shows the measured noise values for different frequency bandwidths as well as different values and types of external capacitors. These measurements show that low-ESR (approximately 100-m Ω) ceramic capacitors tend to increase the noise, compared to normal-ESR (approximately 2- Ω) tantalum capacitors. This tendency is caused by a stability issue with the output amplifier and gain peaking in the amplifier frequency response.

8.2.2.1.2 Bandgap Noise Reduction

Figure 33. REF5025-HT Internal Structure of Trim/NR Pin

The internal schematic of the REF5025-HT device shows that the trim pin allows direct access to the bandgap output. Figure 33 shows the trim pin connection to the internal bandgap circuit through a resistor. Adding a capacitor on the trim pin creates a lowpass filter that has a broadband attenuation of -21 dB.

For example, a small 1- μF capacitor adds a pole at 14.5 Hz and a zero at 160 Hz. If more filtering is needed, a larger value capacitor can be added, which will lower the filter cutoff frequency and the noise contributed by the bandgap.

Table 2. Measured Noise (μV_{RMS}) for Four Bandwidths

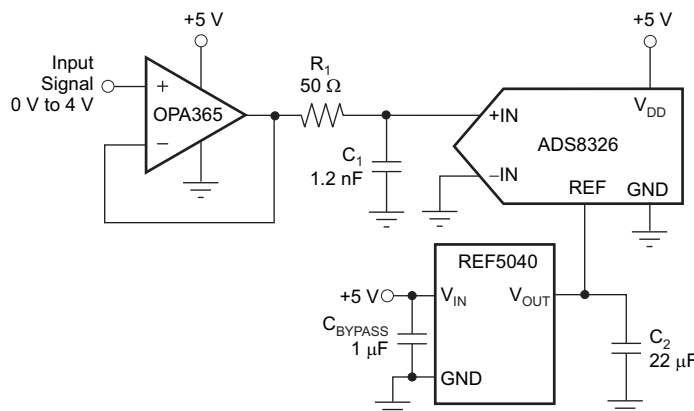
NOISE	22 kHz (LOW-PASS 5-POLE)	30 kHz (LOW-PASS 3-POLE)	80 kHz (LOW-PASS 3-POLE)	> 500 kHz	UNIT
GND	0.8	1	1.8	4.6	μV_{RMS}
2.2 μF (ceramic)	42.5	47.2	61.2	68.3	
2.2 μF + 1 μF	17.5	19.4	22.6	24.5	
10 μF (ceramic)	34.4	35.6	37.7	44.5	
10 μF + 1 μF	14.1	14.4	14.9	16.4	
20 μF (ceramic)	34.8	34.9	35.1	35.2	
20 μF + 1 μF	14.4	14.4	14.7	15.1	

Adding a 1- μF capacitor in this example filters the noise contribution of the bandgap and lowers the total noise by a factor of 2.5 times.

8.3 System Example

8.3.1 Data Acquisition

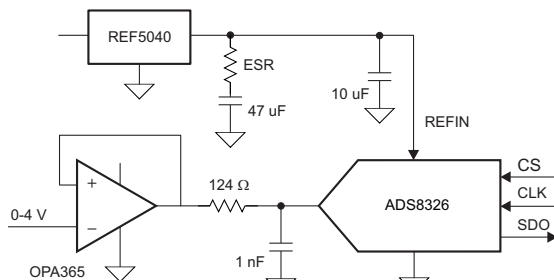
Data acquisition systems often require stable voltage references to maintain accuracy. The REF5025-HT family features low noise, very low drift, and high initial accuracy for high-performance data converters. Figure 34 shows the REF5040 as an example in a basic data acquisition system. The same principle can be applied when designing with REF5025-HT.



Copyright © 2016, Texas Instruments Incorporated

Figure 34. Basic Data Acquisition System

During the design of the data acquisition system, equal consideration must be given to the buffering analog input signal as well as the reference voltage. Having a properly designed input buffer with an associated RC filter is a necessary requirement, but does not ensure the maximum performance.



Copyright © 2016, Texas Instruments Incorporated

Figure 35. Complete Data Acquisition System Using REF50xx

System Example (continued)

Three measurements using different components of the output are shown for this data acquisition system.

[Table 3](#) shows improvements on the FFT for a properly designed system.

Table 3. Data Acquisition Measurement Results for Different Conditions

OPA365 REF5040 TRIM	124 Ω , 1 nF 10 μ F 0 μ F	124 Ω , 1 nF 10 μ F + 47 μ F 1 μ F	124 Ω , 100 μ F 10 μ F + 47 μ F 1 μ F	UNIT
Resolution	16	16	16	Bits
States	65536	65536	65536	
V_{REF}	4.096	4.096	4.096	V
LSB	62.5	62.5	62.5	μ V
V_{IN}	4.02	4.02	4.02	V
Data Std	1.07	0.53	0.41	LSB
Noise	67.0	33.4	25.8	μ V _{RMS}
Noise	442.3	220.5	170.2	μ V _{PP}
SNR	86.7	92.8	95.0	dB
FTT Points	32768	32768	32768	
Noise Flor	-128.8	-134.9	-131.7	dB

Once the correct components for data acquisition system from [Figure 35](#) are selected, measurement results can be compared to the ADS8326 data sheet specifications.

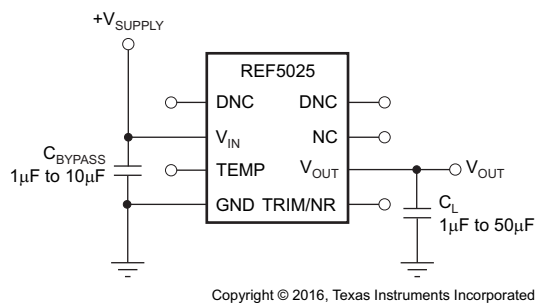
Table 4. AC Performance for Data Acquisition System From [Figure 35](#)

REF5040 TRIM	ADS8326 DATA SHEET	ADS8326B DATA SHEET	SYSTEM LOW ESR	SYSTEM 10 μ F + 47 μ F 1 μ F	UNIT
SNR	91	91.5	90.6	92.2	dB
SINAD	87.5	88	85.7	89.5	dB
SFDR	94	95	88.3	98.4	dB
THD	-90	-91	-87.3	-92.9	dB
ENOB	14.28	14.35	13.94	14.58	Bits

9 Power Supply Recommendations

The minimum recommended power supply voltage for REF5025-HT is 3.25 V. The maximum power supply voltage for the REF5025-HT is 18 V. TI recommends adding a bypass capacitor of 1 μF to 10 μF at the input to compensate for the layout and power supply source impedance.

Figure 36 shows the typical connections for the REF5025-HT. TI recommends a supply bypass capacitor with a value ranging from 1 μF to 10 μF . A 1- μF to 50- μF output capacitor (C_L) must be connected from V_{OUT} to GND. The ESR value of C_L must be less than or equal to 1.5- Ω to ensure output stability. To minimize noise, TI recommends the ESR value of the of C_L is between 1- Ω and 1.5- Ω .



Copyright © 2016, Texas Instruments Incorporated

Figure 36. Basic Connections

10 Layout

10.1 Layout Guidelines

- Place the power-supply bypass capacitor as closely as possible to the VIN pin and ground pins. TI recommends a bypass capacitor value of 1 μF to 10 μF . If necessary, additional decoupling capacitance can be added to compensate for noisy or high-impedance power supplies.
- Place a 1- μF noise filtering capacitor between the NR pin and ground.
- The output must be decoupled with a 1- μF to 50- μF capacitor. In series with the load capacitor, add an ESR of 1- Ω for the best noise performance.
- A high-frequency, 1- μF capacitor can be added in parallel between the output and ground to filter noise and help with switching loads as data converters.

10.2 Layout Example

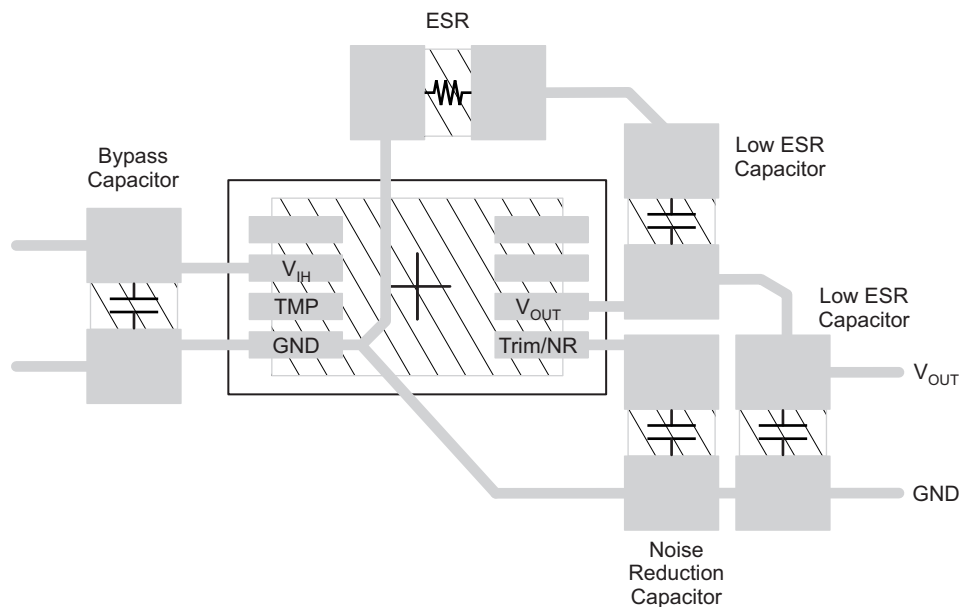


Figure 37. Recommended Layout for REF5025-HT

10.3 Power Dissipation

The REF50xx family is specified to deliver current loads of $\pm 10\text{-mA}$ over the specified input voltage range. The temperature of the device increases according to [Equation 3](#):

$$T_J = T_A + P_D \times R_{\theta JA}$$

Where:

- T_J = Junction temperature ($^{\circ}\text{C}$)
 - T_A = Ambient temperature ($^{\circ}\text{C}$)
 - P_D = Power dissipated (W)
 - $R_{\theta JA}$ = Junction-to-ambient thermal resistance ($^{\circ}\text{C}/\text{W}$)
- (3)

The REF50xx junction temperature must not exceed the absolute maximum rating of $+150^{\circ}\text{C}$.

11 Device and Documentation Support

11.1 Documentation Support

11.1.1 Related Documentation

For related documentation see the following:

- [0.05uV/degC \(max\), Single-Supply CMOS Zero-Drift Series Operational Amplifier](#) (SBOS282)
- [REF5020 PSpice Model](#) (SLIM160)
- [REF5020 TINA-TI Reference Design](#) (SLIM159)
- [REF5020 TINA-TI Spice Model](#) (SLIM158)
- [INA270 PSpice Model](#) (SBOM485)
- [INA270 TINA-TI Reference Design](#) (SBOC246)
- [INA270 TINA-TI Spice Model](#) (SBOM306)
- [How a Voltage Reference Affects ADC Performance](#) (SLYT331)

11.2 Receiving Notification of Documentation Updates

To receive notification of documentation updates, navigate to the device product folder on ti.com. In the upper right corner, click on *Alert me* to register and receive a weekly digest of any product information that has changed. For change details, review the revision history included in any revised document.

11.3 Community Resources

The following links connect to TI community resources. Linked contents are provided "AS IS" by the respective contributors. They do not constitute TI specifications and do not necessarily reflect TI's views; see TI's [Terms of Use](#).

TI E2E™ Online Community *TI's Engineer-to-Engineer (E2E) Community*. Created to foster collaboration among engineers. At e2e.ti.com, you can ask questions, share knowledge, explore ideas and help solve problems with fellow engineers.

Design Support *TI's Design Support* Quickly find helpful E2E forums along with design support tools and contact information for technical support.

11.4 Trademarks

E2E is a trademark of Texas Instruments.
All other trademarks are the property of their respective owners.

11.5 Electrostatic Discharge Caution



These devices have limited built-in ESD protection. The leads should be shorted together or the device placed in conductive foam during storage or handling to prevent electrostatic damage to the MOS gates.

11.6 Glossary

[SLYZ022](#) — *TI Glossary*.

This glossary lists and explains terms, acronyms, and definitions.

12 Mechanical, Packaging, and Orderable Information

The following pages include mechanical, packaging, and orderable information. This information is the most current data available for the designated devices. This data is subject to change without notice and revision of this document. For browser-based versions of this data sheet, refer to the left-hand navigation.

PACKAGING INFORMATION

Orderable Device	Status (1)	Package Type	Package Drawing	Pins	Package Qty	Eco Plan (2)	Lead finish/ Ball material (6)	MSL Peak Temp (3)	Op Temp (°C)	Device Marking (4/5)	Samples
REF5025SHKJ	ACTIVE	CFP	HKJ	8	1	RoHS & Green	Call TI	N / A for Pkg Type	-55 to 210	REF5025S HKJ	Samples
REF5025SHKQ	ACTIVE	CFP	HKQ	8	25	RoHS & Green	AU	N / A for Pkg Type	-55 to 210	REF5025S HKQ	Samples
REF5025SKGD1	ACTIVE	XCEPT	KGD	0	195	RoHS & Green	Call TI	N / A for Pkg Type	-55 to 210		Samples
REF5025SKGD2	ACTIVE	XCEPT	KGD	0	10	RoHS & Green	Call TI	N / A for Pkg Type	-55 to 210		Samples

(1) The marketing status values are defined as follows:

ACTIVE: Product device recommended for new designs.

LIFEBUY: TI has announced that the device will be discontinued, and a lifetime-buy period is in effect.

NRND: Not recommended for new designs. Device is in production to support existing customers, but TI does not recommend using this part in a new design.

PREVIEW: Device has been announced but is not in production. Samples may or may not be available.

OBSOLETE: TI has discontinued the production of the device.

(2) **RoHS:** TI defines "RoHS" to mean semiconductor products that are compliant with the current EU RoHS requirements for all 10 RoHS substances, including the requirement that RoHS substance do not exceed 0.1% by weight in homogeneous materials. Where designed to be soldered at high temperatures, "RoHS" products are suitable for use in specified lead-free processes. TI may reference these types of products as "Pb-Free".

RoHS Exempt: TI defines "RoHS Exempt" to mean products that contain lead but are compliant with EU RoHS pursuant to a specific EU RoHS exemption.

Green: TI defines "Green" to mean the content of Chlorine (Cl) and Bromine (Br) based flame retardants meet JS709B low halogen requirements of <=1000ppm threshold. Antimony trioxide based flame retardants must also meet the <=1000ppm threshold requirement.

(3) MSL, Peak Temp. - The Moisture Sensitivity Level rating according to the JEDEC industry standard classifications, and peak solder temperature.

(4) There may be additional marking, which relates to the logo, the lot trace code information, or the environmental category on the device.

(5) Multiple Device Markings will be inside parentheses. Only one Device Marking contained in parentheses and separated by a "~" will appear on a device. If a line is indented then it is a continuation of the previous line and the two combined represent the entire Device Marking for that device.

(6) Lead finish/Ball material - Orderable Devices may have multiple material finish options. Finish options are separated by a vertical ruled line. Lead finish/Ball material values may wrap to two lines if the finish value exceeds the maximum column width.

Important Information and Disclaimer:The information provided on this page represents TI's knowledge and belief as of the date that it is provided. TI bases its knowledge and belief on information provided by third parties, and makes no representation or warranty as to the accuracy of such information. Efforts are underway to better integrate information from third parties. TI has taken and

continues to take reasonable steps to provide representative and accurate information but may not have conducted destructive testing or chemical analysis on incoming materials and chemicals. TI and TI suppliers consider certain information to be proprietary, and thus CAS numbers and other limited information may not be available for release.

In no event shall TI's liability arising out of such information exceed the total purchase price of the TI part(s) at issue in this document sold by TI to Customer on an annual basis.

OTHER QUALIFIED VERSIONS OF REF5025-HT :

- Catalog : [REF5025](#)
- Enhanced Product : [REF5025-EP](#)

NOTE: Qualified Version Definitions:

- Catalog - TI's standard catalog product
- Enhanced Product - Supports Defense, Aerospace and Medical Applications

TUBE

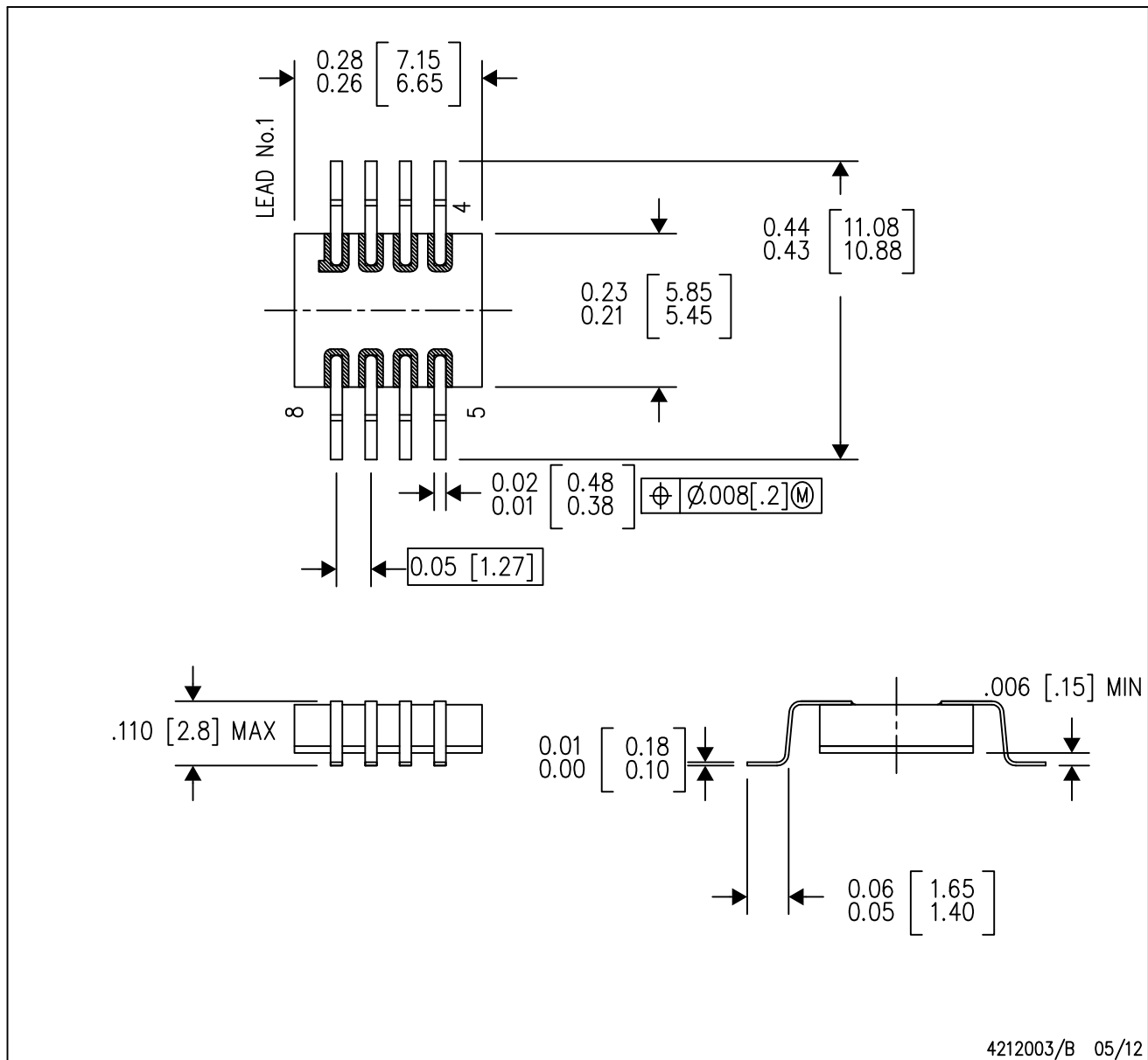

*All dimensions are nominal

Device	Package Name	Package Type	Pins	SPQ	L (mm)	W (mm)	T (μm)	B (mm)
REF5025SHKJ	HKJ	CFP	8	1	506.98	26.16	6220	NA
REF5025SHKQ	HKQ	CFP	8	25	506.98	26.16	6220	NA

MECHANICAL DATA

HKQ (R-CDFP-G8)

CERAMIC GULL WING

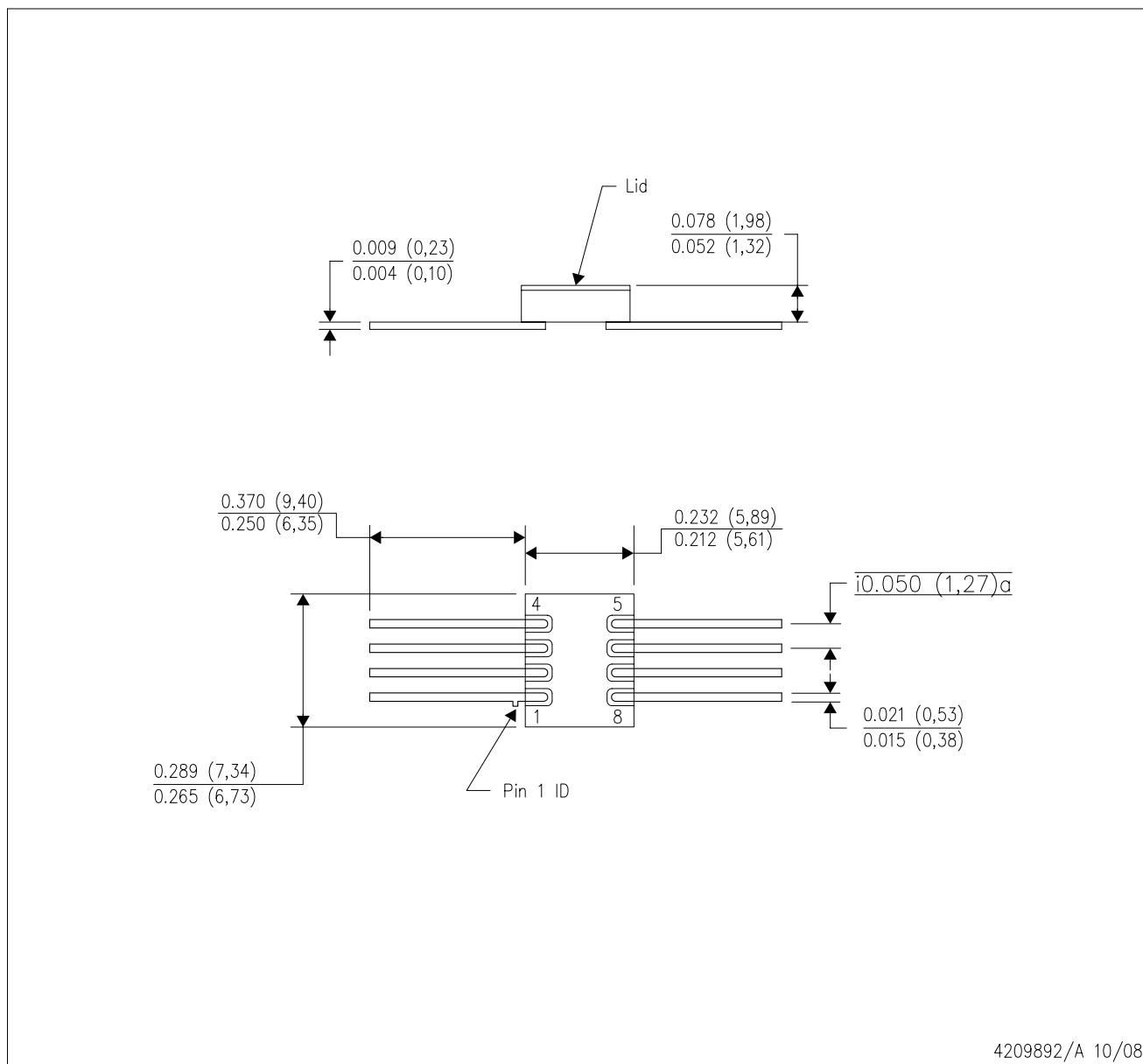


- NOTES:
- All linear dimensions are in inches (millimeters).
 - This drawing is subject to change without notice.
 - This package can be hermetically sealed with a metal lid.
 - The terminals will be gold plated.
 - Lid is not connected to any lead.

MECHANICAL DATA

HKJ (R-CDFP-F8)

CERAMIC DUAL FLATPACK



- NOTES:
- A. All linear dimensions are in inches (millimeters).
 - B. This drawing is subject to change without notice.
 - C. This package can be hermetically sealed with a metal lid.
 - D. The terminals will be gold plated.

IMPORTANT NOTICE AND DISCLAIMER

TI PROVIDES TECHNICAL AND RELIABILITY DATA (INCLUDING DATA SHEETS), DESIGN RESOURCES (INCLUDING REFERENCE DESIGNS), APPLICATION OR OTHER DESIGN ADVICE, WEB TOOLS, SAFETY INFORMATION, AND OTHER RESOURCES "AS IS" AND WITH ALL FAULTS, AND DISCLAIMS ALL WARRANTIES, EXPRESS AND IMPLIED, INCLUDING WITHOUT LIMITATION ANY IMPLIED WARRANTIES OF MERCHANTABILITY, FITNESS FOR A PARTICULAR PURPOSE OR NON-INFRINGEMENT OF THIRD PARTY INTELLECTUAL PROPERTY RIGHTS.

These resources are intended for skilled developers designing with TI products. You are solely responsible for (1) selecting the appropriate TI products for your application, (2) designing, validating and testing your application, and (3) ensuring your application meets applicable standards, and any other safety, security, regulatory or other requirements.

These resources are subject to change without notice. TI grants you permission to use these resources only for development of an application that uses the TI products described in the resource. Other reproduction and display of these resources is prohibited. No license is granted to any other TI intellectual property right or to any third party intellectual property right. TI disclaims responsibility for, and you will fully indemnify TI and its representatives against, any claims, damages, costs, losses, and liabilities arising out of your use of these resources.

TI's products are provided subject to [TI's Terms of Sale](#) or other applicable terms available either on ti.com or provided in conjunction with such TI products. TI's provision of these resources does not expand or otherwise alter TI's applicable warranties or warranty disclaimers for TI products.

TI objects to and rejects any additional or different terms you may have proposed.

Mailing Address: Texas Instruments, Post Office Box 655303, Dallas, Texas 75265
Copyright © 2022, Texas Instruments Incorporated