

4.5-V to 18-V Input, 1.5-A Step-Down Regulator with Integrated Switcher

1 Features

- Continuous 1.5-A output current
- 4.5-V to 18-V supply voltage range
- 2-V to 18-V conversion voltage range
- DCAP2™ mode control enables fast transient response
- Low output ripple and support all MLCC output capacitor
- Skip mode for light load control
- Highly efficient integrated FETs optimized for lower duty cycle applications
- High efficiency, less than 10- μ A supply current at shutdown
- Adjustable soft-start time
- Support pre-biased soft start
- 700-kHz switching frequency
- Cycle-by-cycle overcurrent limit
- Open-drain power-good indication
- Internal bootstrap switch
- Small 3-mm \times 3-mm, 16-pin QFN (RGT) package

2 Applications

- [Points-of-load for server](#)
- [Distributed non-isolated DC-DC converters for computing power system](#)

3 Description

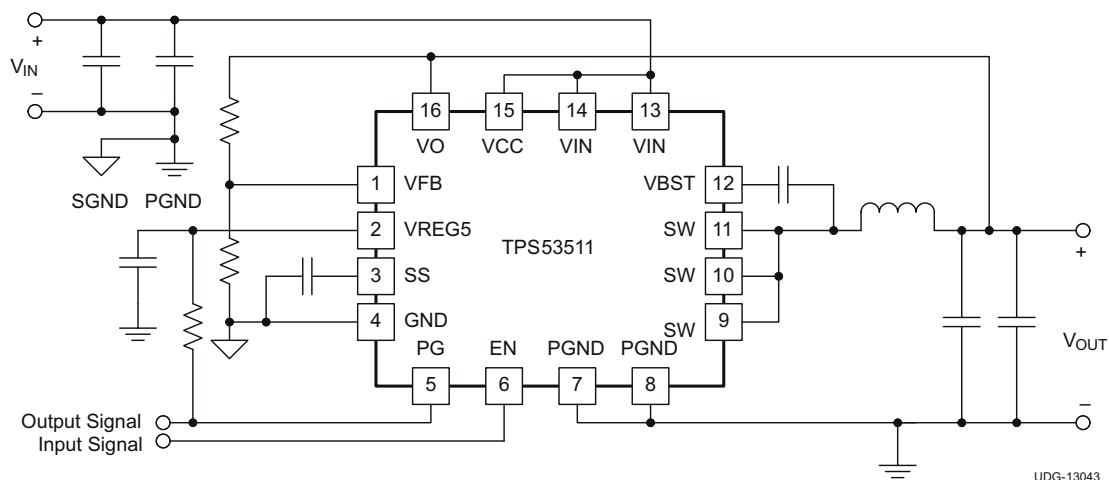
The TPS53511 is an adaptive on-time D-CAP2™ mode synchronous buck converter. The device is suitable for points-of-load (POL) in computing power systems, and provides a cost-effective, low component count, low standby current solution. The main control loop for the TPS53511 uses the D-CAP2™ mode control to provide a fast transient response with no external components. The adaptive on-time control supports seamless operation between PWM mode during heavy load conditions and reduced frequency operation during light-load conditions for high efficiency.

The TPS53511 includes a proprietary circuit that enables the device to adapt to both low equivalent series resistance (ESR) output capacitors, such as POSCAP or SP-CAP, and ultra-low ESR ceramic capacitors. The device operates from 4.5-V to 18-V supply input, and from 2-V to 18-V input power supply voltage. The device features an adjustable slow-start time and a power-good function. It also supports pre-biased soft start. The TPS53511 is available in a 16-pin QFN package, and is designed to operate from -40°C to 85°C .

Device Information

PART NUMBER	PACKAGE ⁽¹⁾	BODY SIZE (NOM)
TPS53511	VQFN (16)	3.00 mm \times 3.00 mm

(1) For all available packages, see the orderable addendum at the end of the data sheet.



Typical Application



Table of Contents

1 Features	1	8 Application and Implementation	13
2 Applications	1	8.1 Application Information.....	13
3 Description	1	8.2 Typical Application.....	13
4 Revision History	2	9 Power Supply Recommendations	18
5 Pin Configuration and Functions	3	10 Layout	19
6 Specifications	4	10.1 Layout Considerations.....	19
6.1 Absolute Maximum Ratings.....	4	10.2 Layout Example.....	20
6.2 ESD Ratings.....	4	11 Device and Documentation Support	21
6.3 Recommended Operating Conditions.....	5	11.1 Device Support.....	21
6.4 Thermal Information.....	5	11.2 Receiving Notification of Documentation Updates..	21
6.5 Electrical Characteristics.....	6	11.3 Support Resources.....	21
6.6 Typical Characteristics.....	8	11.4 Trademarks.....	21
7 Detailed Description	10	11.5 Electrostatic Discharge Caution.....	21
7.1 Overview.....	10	11.6 Glossary.....	21
7.2 Functional Block Diagram.....	10	12 Mechanical, Packaging, and Orderable Information	22
7.3 Feature Description.....	10		
7.4 Device Functional Modes.....	12		

4 Revision History

NOTE: Page numbers for previous revisions may differ from page numbers in the current version.

Changes from Revision A (May 2013) to Revision B (August 2021)	Page
• Added the following sections: <i>ESD Ratings, Pin Configuration and Functions, Overview, Functional Block Diagram, Feature Description, Device Functional Modes, Application and Implementation, Application Information, Typical Application, Design Requirements, Detailed Design Procedure, Application Curves, Power Supply Recommendations, Layout, Layout Guidelines, Layout Example, Device and Documentation Support, Mechanical Packaging, and Orderable Information</i>	1
• Updated the numbering format for tables, figures, and cross-references throughout the document.	1
• Changed V_{ENH} min value to 1.5 V.....	6

Changes from Revision * (March 2013) to Revision A (May 2013)	Page
• Changed minimum value for Current limit specification in Electrical characteristics table	6
• Changed Figure 6-3	8
• Changed Figure 6-5	8
• Changed Figure 6-6	8
• Changed Figure 6-7	8
• Changed Figure 6-11	8
• Changed Figure 6-12	8
• Changed Figure 8-1	13

5 Pin Configuration and Functions

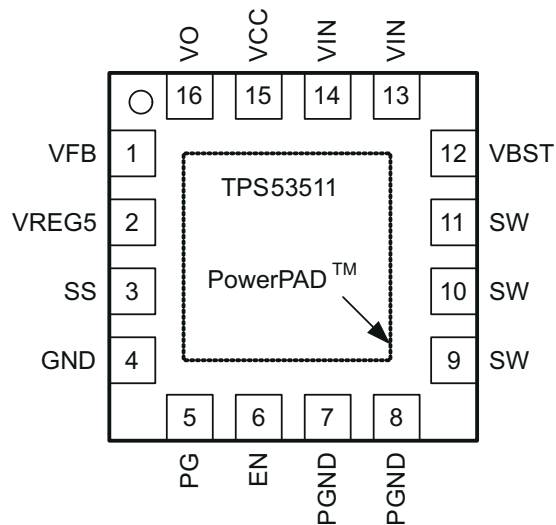


Figure 5-1. 16-Pin RGT Package (Top View)

Table 5-1. Pin Functions

PIN		I/O/P	DESCRIPTION
NAME	NO.		
EN	6	I	Enable control input
GND	4	—	Signal ground pin
PG	5	O	Open-drain power-good output
PGND	7	P	Ground returns for low-side MOSFET. Also serves as inputs of current comparators. Connect PGND and GND strongly together near the device.
	8		
SS	3	I/O	Soft-start control. An external capacitor should be connected to GND.
SW	9	I/O	Switch node connection between high-side N-channel FET and low-side N-channel FET. Also serves as inputs to current comparator.
	10		
	11		
VBST	12	I	Supply input for high-side N-channel FET gate driver (boost terminal). Connect a capacitor from this pin to respective SW terminals. An internal PN diode is connected between the VREG5 and VBST pins.
VCC	15	I	Supply input for 5-V internal linear regulator for the control circuitry.
VFB	1	I	Converter feedback input. Connect with feedback resistor divider.
VIN	13	I	Power input and connected to high side N-channel FET drain
	14		
VO	16	I	Connect to the output of the converter. This terminal is used for on-time adjustment.
VREG5	2	O	5.5-V power supply output. A capacitor (typical 1- μ F) should be connected to GND.
PowerPAD		—	Thermal pad of the package. Must be soldered to achieve appropriate dissipation. Should be connected to PGND.

6 Specifications

6.1 Absolute Maximum Ratings

over operating free-air temperature range (unless otherwise noted)^{(1) (2)}

		MIN	MAX	UNIT
Input voltage range	VIN, VCC, EN	-0.3	20	V
	VBST	-0.3	26	
	VBST (with respect to SW)	-0.3	6.5	
	SS, VO, VFB	-0.3	6.5	
	SW	DC	-2	
	Transient < 10 ns	-3	20	
Voltage differential	GND to PowerPAD	-0.2	0.2	V
Output voltage range	PG, VREG5	-0.3	6.5	V
	PGND	-0.3	0.3	
Output current	I _{OUT}		1.5	A
Storage junction temperature		-55	150	°C
Operating junction temperature		-40	150	°C

- (1) Stresses beyond those listed under “absolute maximum ratings” may cause permanent damage to the device. These are stress ratings only and functional operation of the device at these or any other conditions beyond those indicated under “recommended operating conditions” is not implied. Exposure to absolute-maximum-rated conditions for extended periods may affect device reliability.
- (2) All voltages are with respect to GND. Currents are positive into and negative out of the specified terminal.

6.2 ESD Ratings

		VALUE	UNIT
V _(ESD)	Electrostatic discharge	Human-body model (HBM), per ANSI/ESDA/JEDEC JS-001 ⁽¹⁾	2000
		Charged-device model (CDM), per JEDEC specification JESD22-C101 ⁽²⁾	500

- (1) JEDEC document JEP155 states that 500-V HBM allows safe manufacturing with a standard ESD control process.
- (2) JEDEC document JEP157 states that 250-V CDM allows safe manufacturing with a standard ESD control process.

6.3 Recommended Operating Conditions

		MIN	TYP	MAX	UNIT
Input voltage range	VIN	2.0		18.0	V
	VCC	4.5		18.0	
	EN	-0.1		18.0	
	VBST	-0.1		24.0	
	VBST(with respect to SW)	-0.1		5.7	
	VO, VFB, SS	-0.1		5.5	
	SW	DC	-1.8		18.0
	Transient, < 10 ns	-3		18	
Output voltage range	PG, VREG5	-0.1		5.7	V
	PGND	-0.1		0.1	
Junction temperature range, T _J		-40		125	°C
Operating free-air temperature, T _A		-40		85	°C

6.4 Thermal Information

THERMAL METRIC ⁽¹⁾		TPS53511	UNITS
		QFN (RGT)	
		16 PINS	
θ_{JA}	Junction-to-ambient thermal resistance ⁽²⁾	45.3	°C/W
θ_{JcTop}	Junction-to-case (top) thermal resistance ⁽³⁾	57.3	
θ_{JB}	Junction-to-board thermal resistance ⁽⁴⁾	18.4	
ψ_{JT}	Junction-to-top characterization parameter ⁽⁵⁾	1.1	
ψ_{JB}	Junction-to-board characterization parameter ⁽⁶⁾	18.4	
θ_{JcBot}	Junction-to-case (bottom) thermal resistance ⁽⁷⁾	3.9	

- (1) For more information about traditional and new thermal metrics, see the *Semiconductor and IC Package Thermal Metrics* application report (SPRA953).
- (2) The junction-to-ambient thermal resistance under natural convection is obtained in a simulation on a JEDEC-standard, high-K board, as specified in JESD51-7, in an environment described in JESD51-2a.
- (3) The junction-to-case (top) thermal resistance is obtained by simulating a cold plate test on the package top. No specific JEDEC-standard test exists, but a close description can be found in the ANSI SEMI standard G30-88.
- (4) The junction-to-board thermal resistance is obtained by simulating in an environment with a ring cold plate fixture to control the PCB temperature, as described in JESD51-8.
- (5) The junction-to-top characterization parameter, ψ_{JT} , estimates the junction temperature of a device in a real system and is extracted from the simulation data for obtaining $R_{\theta JA}$, using a procedure described in JESD51-2a (sections 6 and 7).
- (6) The junction-to-board characterization parameter, ψ_{JB} , estimates the junction temperature of a device in a real system and is extracted from the simulation data for obtaining $R_{\theta JA}$, using a procedure described in JESD51-2a (sections 6 and 7).
- (7) The junction-to-case (bottom) thermal resistance is obtained by simulating a cold plate test on the exposed (power) pad. No specific JEDEC standard test exists, but a close description can be found in the ANSI SEMI standard G30-88.

6.5 Electrical Characteristics

 over recommended free-air temperature range, $V_{VIN} = 12\text{ V}$, $PGND = GND$ (unless otherwise noted). ⁽²⁾

PARAMETER		TEST CONDITIONS	MIN	TYP	MAX	UNIT
SUPPLY CURRENT						
I_{VCC}	Operating, non-switching supply current	$T_A = 25^\circ\text{C}$, $V_{EN} = 5\text{ V}$, $V_{VFB} = 0.8\text{ V}$		850	1300	μA
$I_{VCC(sdn)}$	Shutdown supply current	$T_A = 25^\circ\text{C}$, $V_{EN} = 0\text{ V}$		1.8	10	μA
LOGIC THRESHOLD						
V_{ENH}	EN high-level input voltage		1.5			V
V_{ENL}	EN low-level input voltage				0.4	V
V_{VFB} VOLTAGE AND DISCHARGE RESISTANCE						
V_{VFB}	Voltage light load mode	$T_A = 25^\circ\text{C}$, $V_{OUT} = 1.05\text{ V}$, $I_{OUT} = 10\text{ mA}$		771		mV
	Threshold voltage, continuous mode	$T_A = 25^\circ\text{C}$, $V_{OUT} = 1.05\text{ V}$	757	765	773	mV
		$T_A = 0^\circ\text{C}$ to 85°C , $V_{OUT} = 1.05\text{ V}^{(1)}$	753		777	
		$T_A = -40^\circ\text{C}$ to 85°C , $V_{OUT} = 1.05\text{ V}^{(1)}$	751		779	
I_{VFB}	Input current	$V_{FB} = 0.8\text{ V}$, $T_A = 25^\circ\text{C}$	-0.1	0	0.1	μA
R_{Dischg}	V_O discharge resistance	$V_{EN} = 0\text{ V}$, $V_{OUT} = 0.5\text{ V}$, $T_A = 25^\circ\text{C}$		50	100	Ω
V_{VREG5} OUTPUT						
V_{VREG5}	Output voltage	$T_A = 25^\circ\text{C}$, $6\text{ V} < V_{VCC} < 18\text{ V}$, $0 < I_{VREG5} < 5\text{ mA}$	5.3	5.5	5.7	V
V_{LN5}	Line regulation	$6\text{ V} < V_{VCC} < 18\text{ V}$, $I_{VREG5} = 5\text{ mA}$			20	mV
V_{LD5}	Load regulation	$0 < I_{VREG5} < 5\text{ mA}$			100	mV
I_{VREG5}	Output current	$V_{CC} = 6\text{ V}$, $V_{VREG5} = 4\text{ V}$, $T_A = 25^\circ\text{C}$		70		mA
MOSFET						
$R_{DS(on)H}$	High-side switch resistance	$T_A = 25^\circ\text{C}$, $(V_{BST} - V_{SW}) = 5.5\text{ V}$		120		m Ω
$R_{DS(on)L}$	Low-side switch resistance	$T_A = 25^\circ\text{C}$		70		m Ω
CURRENT LIMIT						
I_{OCL}	Current limit	$L_{OUT} = 1.5\text{ }\mu\text{H}^{(1)}$	1.65	2.00	2.75	A
THERMAL SHUTDOWN						
T_{SDN}	Thermal shutdown threshold	Shutdown temperature ⁽¹⁾		150		$^\circ\text{C}$
		Hysteresis ⁽¹⁾		25		
ON-TIME TIMER CONTROL						
t_{ON}	On time	$V_{VIN} = 12\text{ V}$, $V_{OUT} = 1.05\text{ V}$		145		ns
$t_{OFF(min)}$	Minimum off time	$T_A = 25^\circ\text{C}$, $V_{VFB} = 0.7\text{ V}$		260	310	ns
SOFT-START FUNCTION						
I_{SSC}	Soft-start charge current	$V_{SS} = 0\text{ V}$	1.4	2.0	2.6	μA
I_{SSD}	Soft-start discharge current	$V_{SS} = 0.5\text{ V}$	0.1	0.2		mA
POWER GOOD						
$V_{THPG(UV)}$	Power-good undervoltage threshold	V_{VFB} rising (good)	85%	90%	95%	
		V_{VFB} falling (fault)		85%		
$V_{THPG(OV)}$	Power-good overvoltage threshold	V_{VFB} rising (fault)	110%	115%	120%	
		V_{VFB} falling (good)		110%		
I_{PG}	Sink current	$V_{PG} = 0.5\text{ V}$	2.5	5.0		mA
OUTPUT UNDERVOLTAGE AND OVERVOLTAGE PROTECTION						
V_{OVP}	Output OVP trip threshold	OVP detect	110%	115%	120%	
t_{OVPDEL}	Output OVP propagation delay			5		μs
V_{UVP}	Output UVP trip threshold	UVP detect	65%	70%	75%	
		Hysteresis		10%		

over recommended free-air temperature range, $V_{VIN} = 12\text{ V}$, PGND = GND (unless otherwise noted). ⁽²⁾

PARAMETER		TEST CONDITIONS	MIN	TYP	MAX	UNIT
t_{UVPDEL}	Output UVP delay			0.25		ms
t_{UVPEN}	Output UVP enable delay	Relative to soft-start time		$t_{SS} \times 1.7$		
UNDERVOLTAGE LOCKOUT						
UVLO	Wakeup V_{REG5} voltage threshold		3.55	3.80	4.05	V
	Hysteresis V_{REG5} voltage threshold		0.23	0.35	0.47	

- (1) Specified by design. Not production tested.
 (2) See PS pin description for levels.

6.6 Typical Characteristics

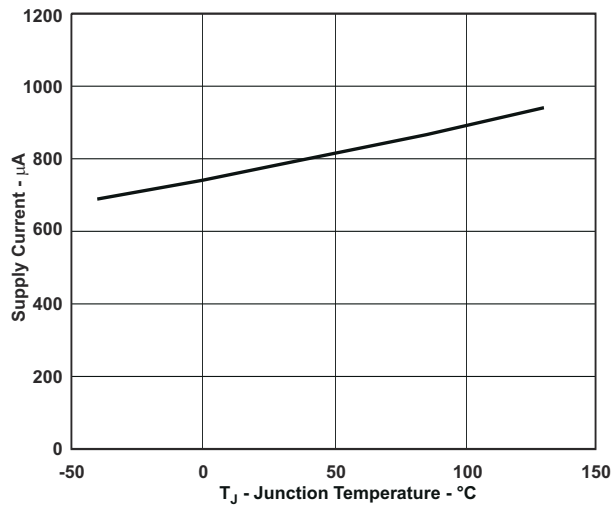


Figure 6-1. V_{CC} Supply Current vs. Junction Temperature

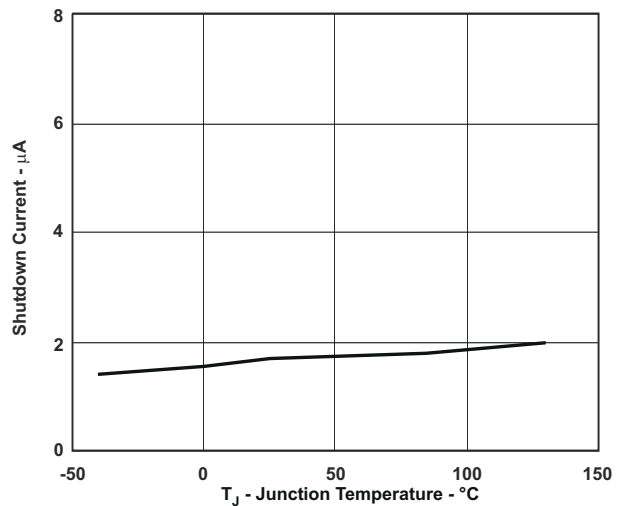


Figure 6-2. V_{CC} Shutdown Current vs. Junction Temperature

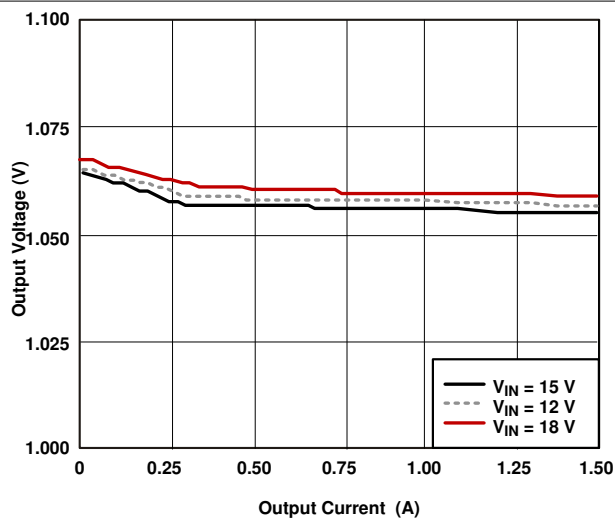


Figure 6-3. 1.05-V Output Voltage vs. Output Current

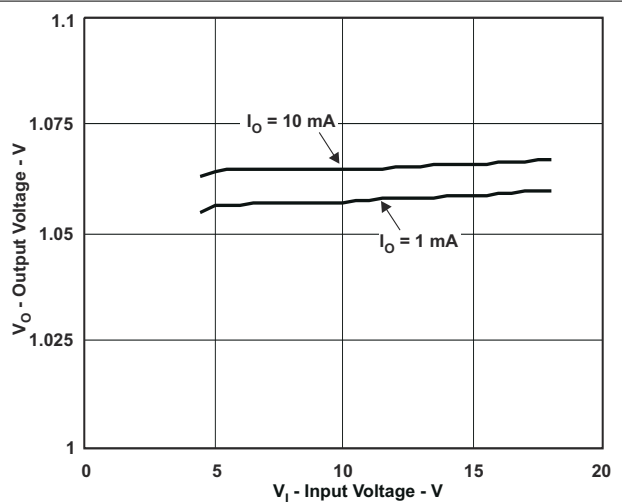


Figure 6-4. 1.05-V Output Voltage vs. Input Voltage

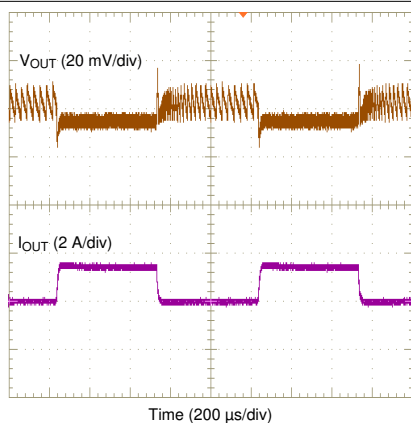


Figure 6-5. Load Transient Response, 1.05 V, 0 A to 1.5 A

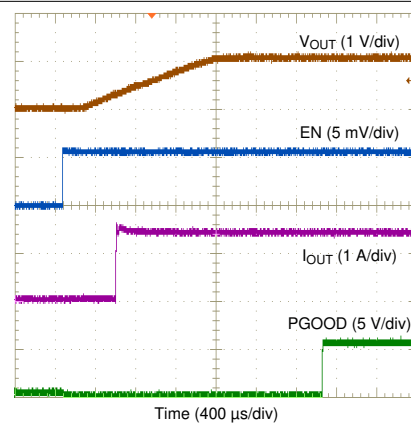


Figure 6-6. Start-Up

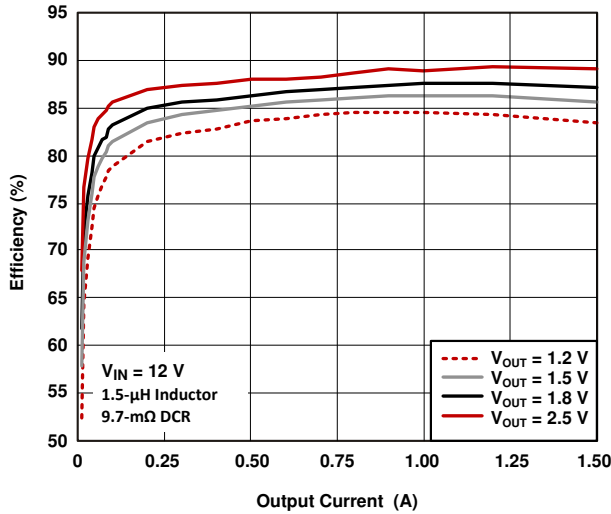


Figure 6-7. Efficiency vs. Output Current

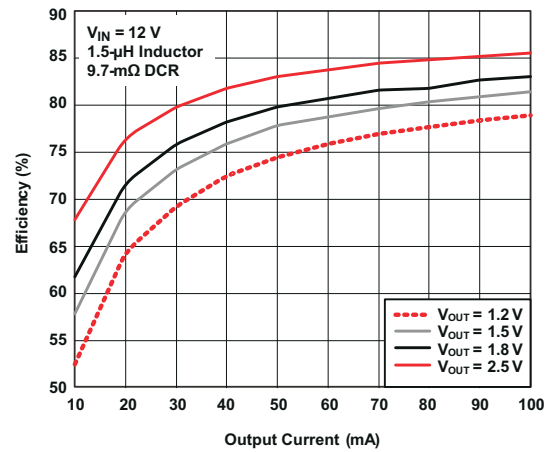


Figure 6-8. Light Load Efficiency vs. Output Current

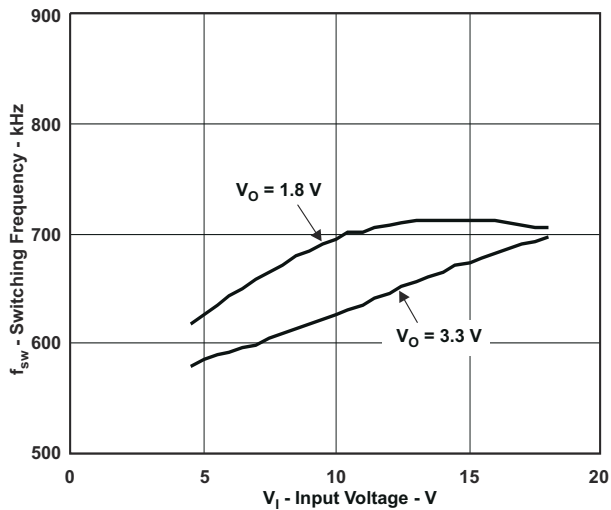


Figure 6-9. Switching Frequency vs Input Voltage

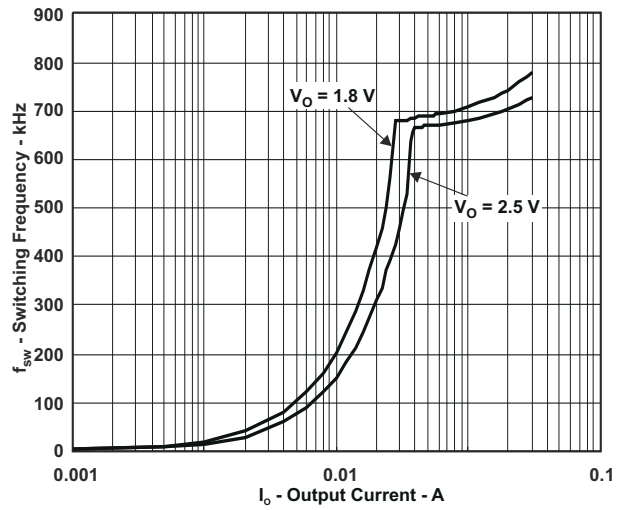


Figure 6-10. Switching Frequency vs Output Current

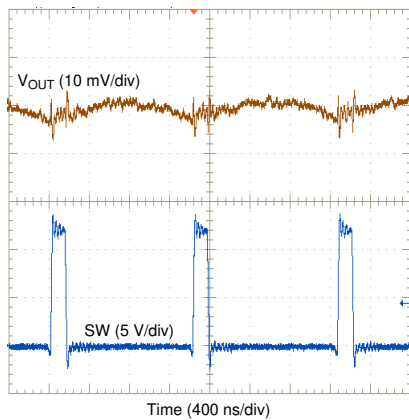


Figure 6-11. Output Voltage Ripple

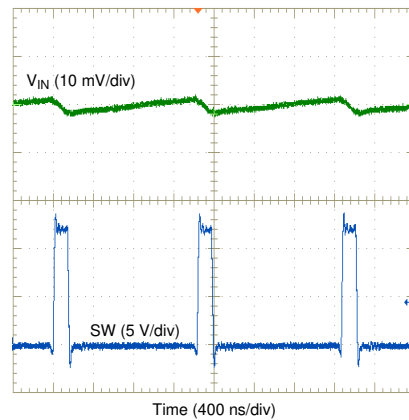


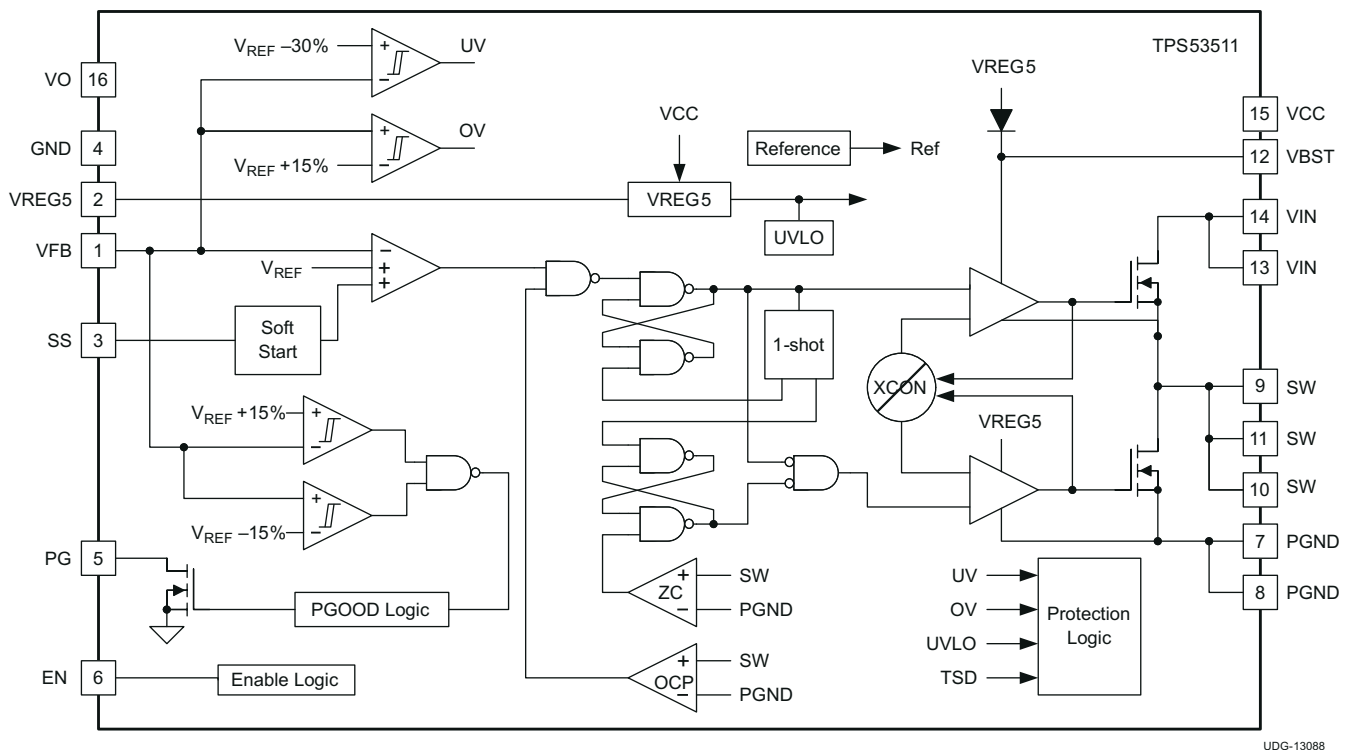
Figure 6-12. Input Voltage Ripple

7 Detailed Description

7.1 Overview

The TPS53511 is a 1.5-A synchronous step-down (buck) converter with two integrated N-channel MOSFETs. It operates using D-CAP2™ mode control. The fast transient response of D-CAP2™ control reduces the output capacitance required to meet a specific level of performance. Proprietary internal circuitry allows the use of low-ESR output capacitors including ceramic and special polymer types.

7.2 Functional Block Diagram



UDG-13088

7.3 Feature Description

7.3.1 PWM Operation

The main control loop of the TPS53511 is an adaptive on-time pulse width modulation (PWM) controller that supports a proprietary D-CAP2™ mode control. D-CAP2™ mode control combines constant on-time control with an internal compensation circuit for pseudo-fixed frequency and low external component count configuration with both low-ESR and ceramic output capacitors. It is stable even with virtually no ripple at the output.

At the beginning of each cycle, the high-side MOSFET is turned on. This MOSFET is turned off after internal one shot timer expires. This one shot timer is set by the converter input voltage, V_{VIN} , and the output voltage, V_{VO} , to maintain a pseudo-fixed frequency over the output voltage range, hence it is called adaptive on-time control. The one-shot timer is reset and the high-side MOSFET is turned on again when the feedback voltage falls below the reference voltage. An internal ramp is added to the reference voltage to simulate output ripple, eliminating the need for ESR-induced output ripple from D-CAP2™ mode control.

7.3.2 PWM Frequency and Adaptive On-Time Control

TPS53511 uses an adaptive on-time control scheme and does not have a dedicated on-board oscillator. The device runs with a pseudo-constant frequency of 700 kHz by using the input voltage and output voltage to set the on-time one-shot timer. The on time is inversely proportional to the input voltage and proportional to the output voltage. The actual frequency can vary from 700 kHz depending on the off time, which is ended when the feedback portion of the output voltage falls to the VFB threshold voltage.

7.3.3 Soft Start and Pre-Biased Soft-Start Function

The soft-start time function is adjustable. When the EN pin becomes high, 2- μ A current begins charging the capacitor, which is connected from the SS pin to GND. Smooth control of the output voltage is maintained during start up. The equation for the slow-start time is shown in Equation 1. The VFB voltage is 0.765 V and SS pin source current is 2 μ A.

$$t_{SS(ms)} = \frac{C_{SS} \times V_{REF}}{I_{SS(\mu A)}} = \frac{C_{SS} \times 0.765}{2} \quad (1)$$

where

- C_{SS} is the value of the capacitor connected between the SS pin and GND.
- C_{SS} is expressed in nF.

This unique circuit prevents current from being pulled from the output during start-up if the output is pre-biased. When the soft start commands a voltage higher than the pre-bias level (internal soft-start voltage becomes greater than feedback voltage VFB), the controller slowly activates synchronous rectification by starting the first low-side FET gate driver pulses with a narrow on time. It then increments the on time on a cycle-by-cycle basis until it coincides with the time dictated by (1-D), where D is the duty cycle of the converter. This scheme prevents the initial sinking of the pre-bias output, and makes sure the output voltage (the VO pin) starts and ramps up smoothly into regulation and the control loop is given time to transition from pre-biased start-up to normal mode operation.

7.3.4 Power Good

The power-good function is activated after soft start has finished. The power-good function becomes active after 1.7 times soft-start time. When the feedback voltage is within $\pm 10\%$ of the target value, internal comparators detect power good state and the power-good signal becomes high. The power-good output, PG, is an open-drain output. When the feedback voltage goes $\pm 15\%$ outside of the target value, the power-good signal becomes low after a 10- μ s internal delay. During an undervoltage condition, when the feedback voltage returns to be within $\pm 10\%$ of the target value, the power-good signal goes HIGH again.

7.3.5 Output Discharge Control

The TPS53511 discharges the output when EN is low, or the controller is turned off by the protection function (OVP, UVP, UVLO, and thermal shutdown). The output is discharged by an internal 50- Ω MOSFET, which is connected from VO to PGND. The internal low-side MOSFET is not turned on during the output discharge operation to avoid the possibility of causing negative voltage at the output.

7.3.6 Current Protection

Output current is limited by cycle-by-cycle overcurrent limiting control. The inductor current is monitored during the OFF state and the controller keeps the OFF state when the inductor current is larger than the over current trip level. To provide accuracy and a cost-effective solution, the device supports temperature compensated internal MOSFET $R_{DS(on)}$ sensing.

The inductor current is monitored by the voltage between the PGND pin and the SW pin. In an overcurrent condition, the current to the load exceeds the current to the output capacitor; thus, the output voltage tends to fall off. Eventually the output voltage becomes less than the undervoltage protection threshold and the device shuts down.

7.3.7 Overvoltage/Undervoltage Protection

The TPS53511 detects overvoltage and undervoltage conditions by monitoring the feedback voltage (the VFB pin). This function is enabled after approximately 1.7 times the soft-start time. When the feedback voltage becomes higher than 115% of the target voltage, the OVP comparator output goes high and the circuit latches the high-side MOSFET driver turns off and the low-side MOSFET turns on. Normal operation can be restored only by cycling the VCC or EN pin voltage. When the feedback voltage becomes lower than 70% of the target voltage, the UVP comparator output goes high and an internal UVP delay counter begins. After 250 μ s, the

device latches off both internal high-side and low-side MOSFET. Similar to the overvoltage protection, the device is latched off, and normal operation can be restored only by cycling the VCC or EN pin voltage.

7.3.8 UVLO Protection

Undervoltage lockout protection (UVLO) monitors the voltage of the V_{VREG5} pin. When the V_{VREG5} voltage is lower than UVLO threshold voltage, the TPS53511 is shut off. This protection is non-latching.

7.3.9 Thermal Shutdown

Thermal protection is self-activating. If the junction temperature exceeds the threshold value (typically 150°C), the TPS53511 shuts off. This protection is non-latching.

7.4 Device Functional Modes

7.4.1 Light Load Mode Control

The TPS53511 is designed with Auto-Skip mode to increase light-load efficiency. As the output current decreases from heavy load condition, the inductor current is also reduced and eventually comes to point that its rippled valley touches zero level, which is the boundary between continuous conduction and discontinuous conduction modes. The rectifying MOSFET is turned off when its zero inductor current is detected. As the load current further decreases the converter run into discontinuous conduction mode. The on-time is kept almost the same as is was in the continuous conduction mode so that it takes longer time to discharge the output capacitor with smaller load current to the level of the reference voltage. The transition point to the light load operation $I_{OUT(LL)}$ current can be calculated in [Equation 2](#).

$$I_{OUT(LL)} = \frac{1}{2 \times L \times f_{SW}} \times \frac{(V_{IN} - V_{OUT}) \times V_{OUT}}{V_{IN}} \quad (2)$$

8 Application and Implementation

Note

Information in the following applications sections is not part of the TI component specification, and TI does not warrant its accuracy or completeness. TI's customers are responsible for determining suitability of components for their purposes, as well as validating and testing their design implementation to confirm system functionality.

8.1 Application Information

The following example illustrates the design process and component selection for a single output synchronous buck converter using TPS53511. The schematic of a design example is shown in Figure 8-1. The specification of the converter is listed in Table 8-1.

8.2 Typical Application

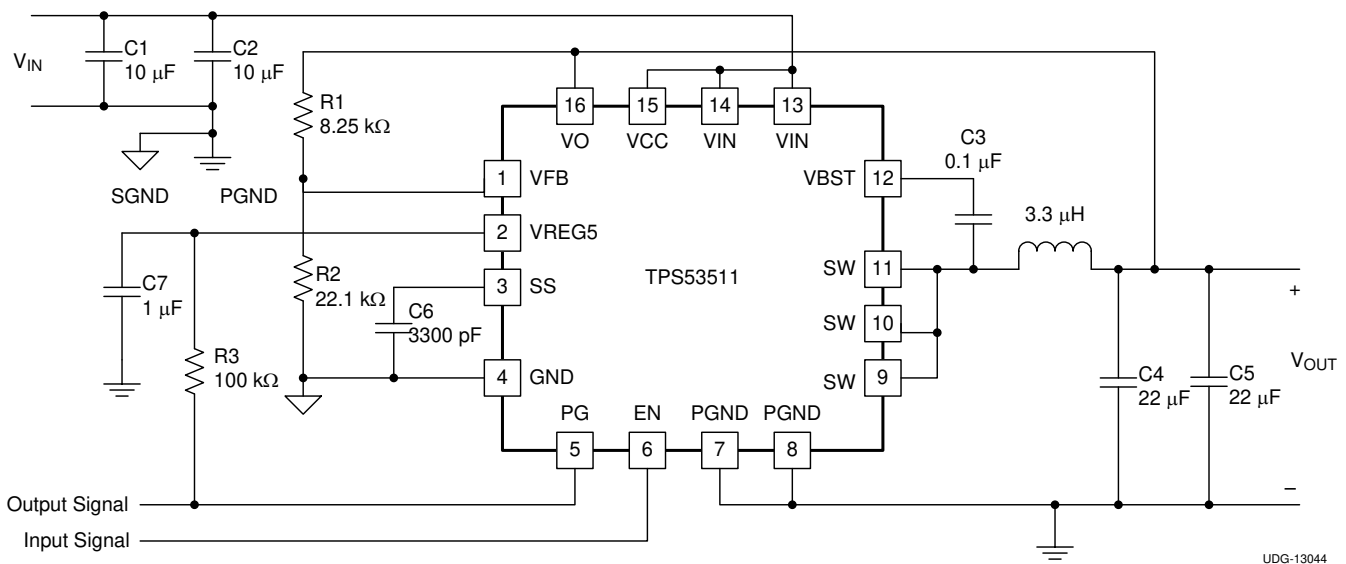


Figure 8-1. Typical 12-V Input Application Circuit

8.2.1 Design Requirements

Table 8-1. Specification of the Single Output Synchronous Buck Converter

PARAMETER		TEST CONDITION	MIN	TYP	MAX	UNIT
V_{IN}	Input voltage		4.5	12	18	V
V_{OUT}	Output voltage			1.05		V
V_{RIPPLE}	Output ripple	$I_{OUT} = 1.5$ A		3% of V_{OUT}		V
I_{OUT}	Output current			1.5		A
f_{SW}	Switching frequency			700		kHz

8.2.2 Detailed Design Procedure

8.2.2.1 Output Inductor Selection

The value of the output filtering inductor determines the magnitude of the current ripple, which also affects the output voltage ripple for a certain output capacitance value. Increasing the inductance value reduces the ripple current, and thus, results in reduced conduction loss and output ripple voltage. Alternatively, low inductance value is needed due to the demand of low profile and fast transient response. Therefore, it is important to obtain a compromise between the low ripple current and low inductance value.

In practical application, the peak-to-peak current ripple is usually designed to be between 1/4 to 1/2 of the rated load current. Since the magnitude of the current ripple is determined by inductance value, switching frequency, input voltage and output voltage, the required inductance value for a certain required ripple ΔI is shown in [Equation 3](#). Also, the chosen inductor should be rated for the peak current calculated from [Equation 4](#).

$$L = \frac{(V_{IN} - V_{OUT}) \times V_{OUT}}{V_{IN} \times I_{RIPPLE} \times f_{SW}} \quad (3)$$

$$I_{L(peak)} = I_{OUT} + \left(\frac{I_{RIPPLE}}{2} \right) \quad (4)$$

where

- V_{IN} is the input voltage.
- V_{OUT} is the output voltage.
- I_{RIPPLE} is the required current ripple.
- f_{SW} is the switching frequency.

For this design example, the inductance value is selected to provide approximately 30% peak-to-peak ripple current at maximum load. For this design, a nearest standard value was chosen: 3.3 μH . For 3.3 μH , the calculated peak current is 1.71 A.

8.2.2.2 Output Capacitor Selection

The capacitor value and ESR determines the amount of output voltage ripple. It is recommended to use a ceramic output capacitor. Using [Equation 5](#) to [Equation 6](#), an initial estimate for the capacitor value and ESR can be calculated. As the load transients are significant, consider using the load step instead of ripple current to calculate the maximum ESR.

$$C > \frac{1}{8 \times f_{SW}} \times \frac{1}{\frac{V_{RIPPLE}}{I_{RIPPLE}} - ESR} \quad (5)$$

$$ESR < \frac{V_{OUT(ripple)}}{I_{RIPPLE}} \quad (6)$$

For this design, the minimum required capacitance is 8.45 μF and maximum ESR is 33 m Ω . Therefore, two TDK C3216JB0J226M 22- μF output capacitors are used. The maximum ESR is 12 m Ω for each capacitor.

8.2.2.3 Input Capacitor Selection

The device requires an input decoupling capacitor and a bulk capacitor. A ceramic capacitor over 10 μF is recommended for the decoupling capacitor. The capacitor voltage rating must to be greater than the maximum input voltage. In case of separate V_{VCC} and V_{VIN} , a ceramic capacitor over 10 μF is recommended for the input voltage. Placing a ceramic capacitor with a value higher than 0.1 μF for the VCC is recommended also.

8.2.2.4 Bootstrap Capacitor Selection

A 0.1- μF capacitor must be connected between the VBST and SW pin for proper operation. A ceramic capacitor is recommended.

8.2.2.5 VREG5 Capacitor Selection

A 1- μF capacitor must be connected between the VREG5 and SW pin for proper operation. A ceramic capacitor is recommended.

8.2.2.6 Output Voltage Setting Resistors Selection

The output voltage is set with a resistor divider from the output node to the VFB pin. It is recommended to use 1% tolerance or better divider resistors. Begin by using [Equation 7](#) and [Equation 8](#) to calculate V_{OUT} .

To improve efficiency at light-load condition, use resistors with a relatively larger value. However, too high resistance value make the circuit more susceptible to noise, and voltage errors from the VFB input current is more noticeable.

For output voltages from 0.76 V to 2.5 V:

$$V_{OUT} = 0.765 \times \left(1 + \left(\frac{R1}{R2} \right) \right) \quad (7)$$

For output voltages over 2.5 V:

$$V_{OUT} = \left(0.763 + 0.0017 \times V_{OUT} \right) \times \left(1 + \frac{R1}{R2} \right) \quad (8)$$

The required output voltage for this design is 1.05 V. So [Equation 7](#) is used to calculate the value of R1. R2 is 22.1 k Ω , therefore, R1 is 8.25 k Ω .

8.2.3 Application Curves

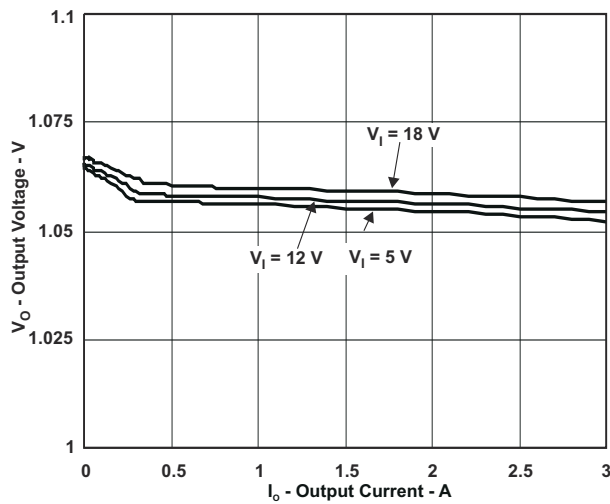


Figure 8-2. 1.05-V Output Voltage vs. Output Current

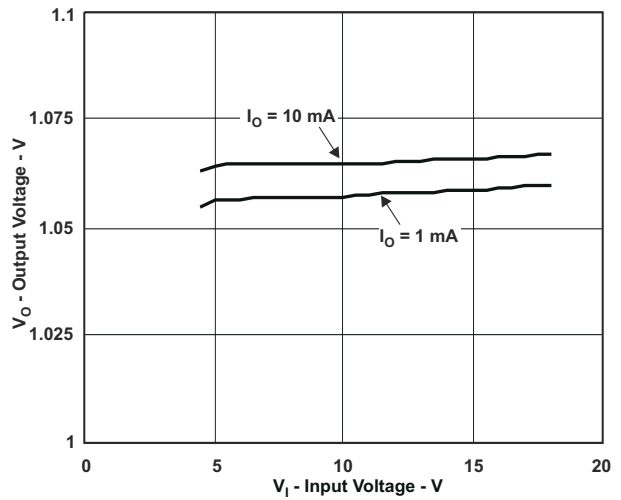


Figure 8-3. 1.05-V Output Voltage vs. Input Voltage

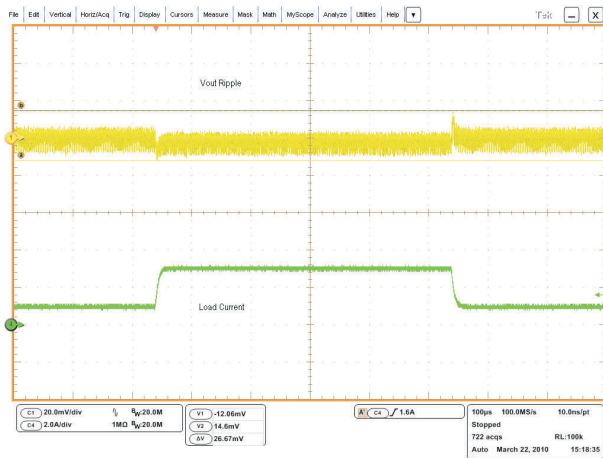


Figure 8-4. 1.05-V, 0-A to 3-A Load Transient Response

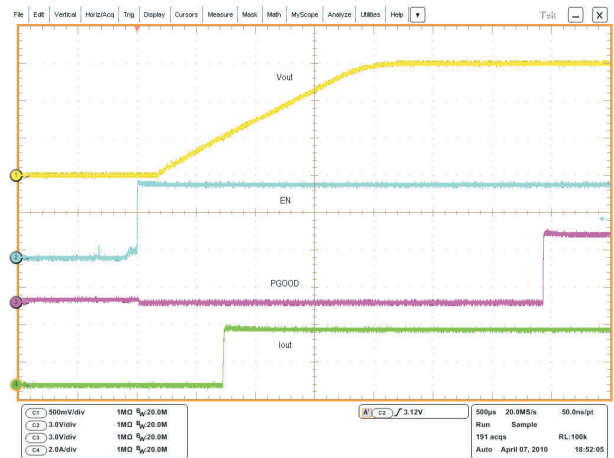


Figure 8-5. Start-Up

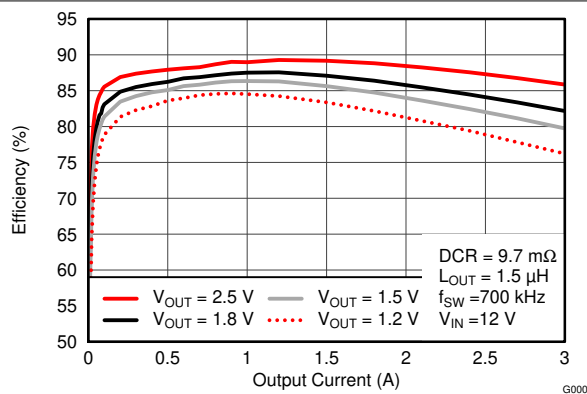


Figure 8-6. Efficiency vs. Output Current

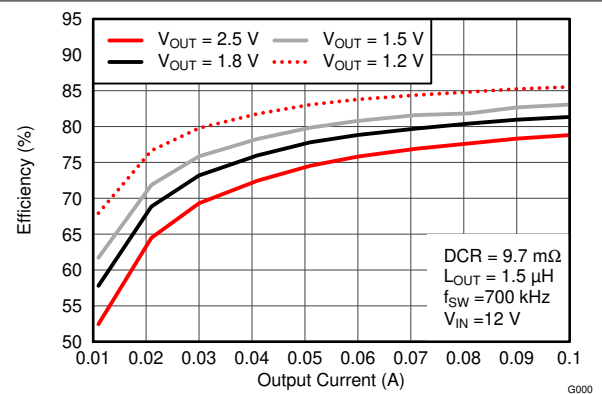


Figure 8-7. Light-Load Efficiency vs. Output Current

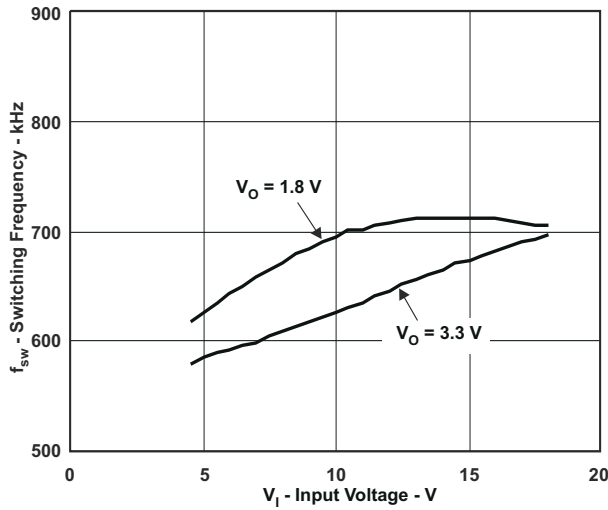


Figure 8-8. Switching Frequency vs. Input Voltage

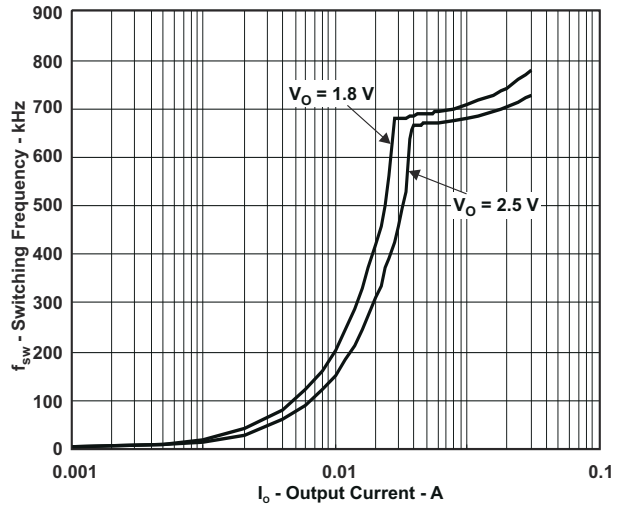


Figure 8-9. Switching Frequency vs. Output Current

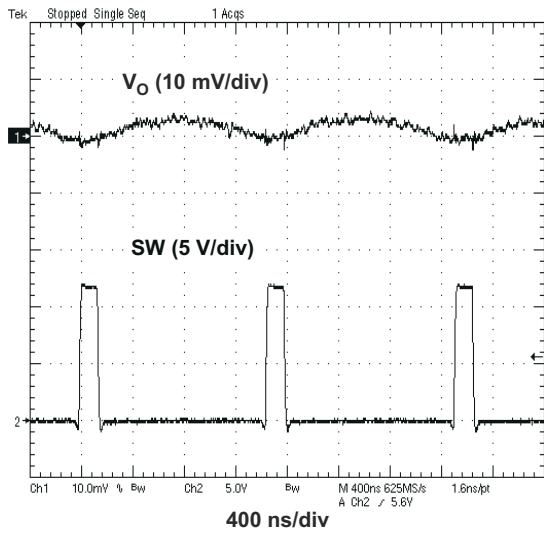


Figure 8-10. Output Voltage Ripple

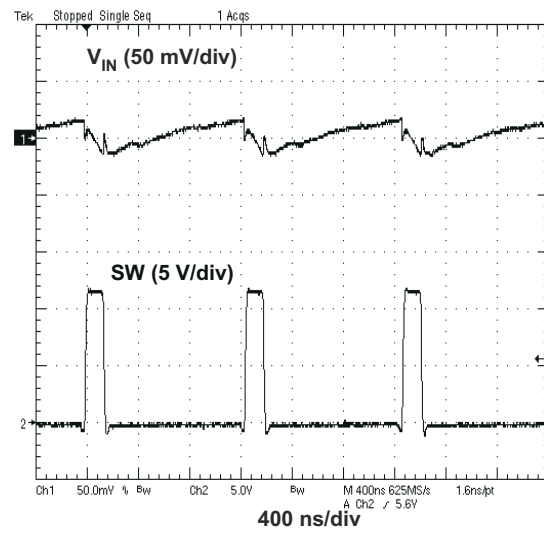


Figure 8-11. Input Voltage Ripple

9 Power Supply Recommendations

The device is designed to operate from an input voltage supply range between 4.5 V and 18 V. This input supply should be well regulated. If the input supply is located more than a few inches from the TPS53311 converter, additional bulk capacitance may be required in addition to the ceramic bypass capacitors. An electrolytic capacitor with a value of 100 μF is a typical choice.

10 Layout

10.1 Layout Considerations

- Keep the input switching current loop as small as possible.
- Keep the SW node as physically small and short as possible to minimize parasitic capacitance and inductance and to minimize radiated emissions. Kelvin connections should be brought from the output to the feedback pin of the device.
- Keep analog and non-switching components away from switching components.
- Make a single point connection between the signal and power grounds.
- Do not allow switching current to flow under the device.
- Keep the pattern lines for VIN and PGND broad.
- Exposed pad of the device must be connected to PGND with solder.
- VREG5 capacitor should be connected to a broad pattern of the PGND.
- Output capacitor should be connected to a broad pattern of the PGND.
- Voltage feedback loop should be as short as possible, and preferably with ground shield.
- Lower resistor of the voltage divider, which is connected to the VFB pin should be tied to SGND.
- Providing sufficient via is preferable for VIN, SW and PGND connection.
- PCB pattern for VIN, SW, and PGND should be as broad as possible.
- If VIN and VCC are shorted, VIN and VCC patterns need to be connected with broad pattern lines.
- VIN capacitor should be placed as close as possible to the device.

10.1.1 Thermal Information

This PowerPAD™ package incorporates an exposed thermal pad that is designed to be connected to an external heat sink. The thermal pad must be soldered directly to the printed board (PCB). After soldering, the PCB can be used as a heat sink. In addition, through the use of thermal vias, the thermal pad can be attached directly to the appropriate copper plane shown in the electrical schematic for the device, or alternatively, can be attached to a special heat sink structure designed into the PCB. This design optimizes the heat transfer from the device.

For additional information on the PowerPAD™ package and how to use the advantage of its heat dissipating abilities, refer to the [PowerPAD™ Thermally Enhanced Package Technical Brief](#) and the [PowerPAD™ Made Easy Application Brief](#).

10.2 Layout Example

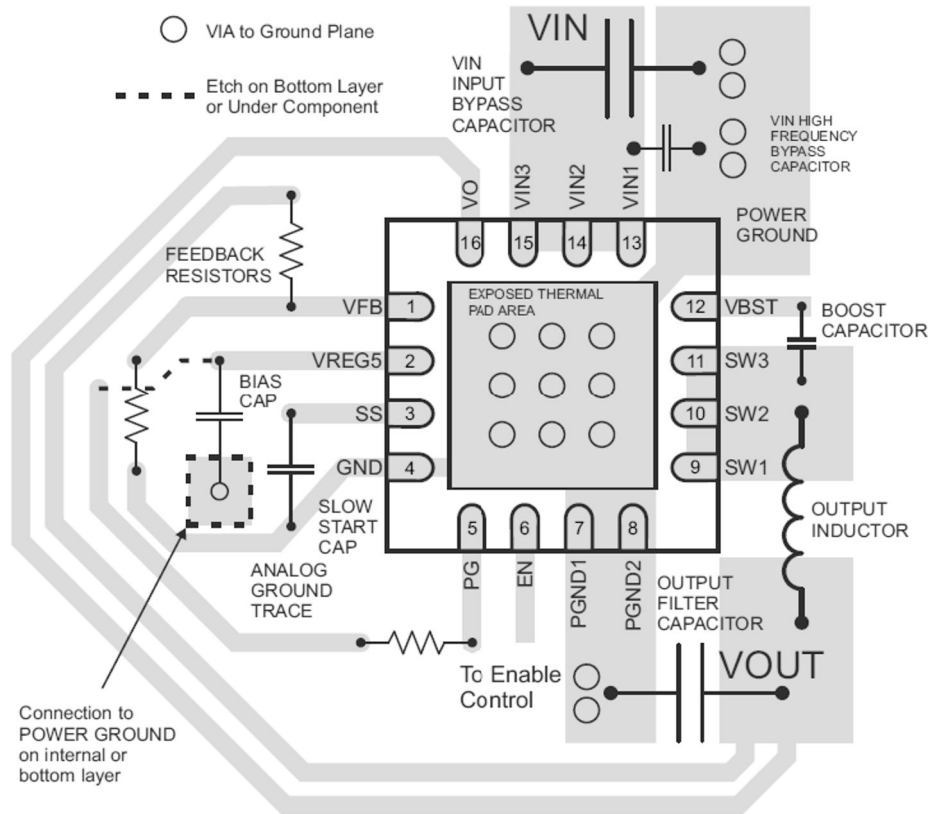


Figure 10-1. Layout Example

11 Device and Documentation Support

TI offers an extensive line of development tools. Tools and software to evaluate the performance of the device, generate code, and develop solutions are listed below.

11.1 Device Support

11.1.1 Third-Party Products Disclaimer

TI'S PUBLICATION OF INFORMATION REGARDING THIRD-PARTY PRODUCTS OR SERVICES DOES NOT CONSTITUTE AN ENDORSEMENT REGARDING THE SUITABILITY OF SUCH PRODUCTS OR SERVICES OR A WARRANTY, REPRESENTATION OR ENDORSEMENT OF SUCH PRODUCTS OR SERVICES, EITHER ALONE OR IN COMBINATION WITH ANY TI PRODUCT OR SERVICE.

11.2 Receiving Notification of Documentation Updates

To receive notification of documentation updates, navigate to the device product folder on ti.com. Click on *Subscribe to updates* to register and receive a weekly digest of any product information that has changed. For change details, review the revision history included in any revised document.

11.3 Support Resources

[TI E2E™ support forums](#) are an engineer's go-to source for fast, verified answers and design help — straight from the experts. Search existing answers or ask your own question to get the quick design help you need.

Linked content is provided "AS IS" by the respective contributors. They do not constitute TI specifications and do not necessarily reflect TI's views; see TI's [Terms of Use](#).

11.4 Trademarks

DCAP2™ is a trademark of TI.

PowerPAD™ and TI E2E™ are trademarks of Texas Instruments.

All trademarks are the property of their respective owners.

11.5 Electrostatic Discharge Caution



This integrated circuit can be damaged by ESD. Texas Instruments recommends that all integrated circuits be handled with appropriate precautions. Failure to observe proper handling and installation procedures can cause damage.

ESD damage can range from subtle performance degradation to complete device failure. Precision integrated circuits may be more susceptible to damage because very small parametric changes could cause the device not to meet its published specifications.

11.6 Glossary

[TI Glossary](#) This glossary lists and explains terms, acronyms, and definitions.

12 Mechanical, Packaging, and Orderable Information

The following pages include mechanical, packaging, and orderable information. This information is the most current data available for the designated devices. This data is subject to change without notice and revision of this document. For browser-based versions of this data sheet, refer to the left-hand navigation.

PACKAGING INFORMATION

Orderable Device	Status (1)	Package Type	Package Drawing	Pins	Package Qty	Eco Plan (2)	Lead finish/ Ball material (6)	MSL Peak Temp (3)	Op Temp (°C)	Device Marking (4/5)	Samples
HPA02165RGTR	ACTIVE	VQFN	RGT	16	3000	TBD	Call TI	Call TI	-40 to 85		Samples
TPS53511RGTR	ACTIVE	VQFN	RGT	16	3000	RoHS & Green	NIPDAU	Level-2-260C-1 YEAR	-40 to 85	53511	Samples
TPS53511RGTT	ACTIVE	VQFN	RGT	16	250	RoHS & Green	NIPDAU	Level-2-260C-1 YEAR	-40 to 85	53511	Samples

(1) The marketing status values are defined as follows:

ACTIVE: Product device recommended for new designs.

LIFEBUY: TI has announced that the device will be discontinued, and a lifetime-buy period is in effect.

NRND: Not recommended for new designs. Device is in production to support existing customers, but TI does not recommend using this part in a new design.

PREVIEW: Device has been announced but is not in production. Samples may or may not be available.

OBSOLETE: TI has discontinued the production of the device.

(2) **RoHS:** TI defines "RoHS" to mean semiconductor products that are compliant with the current EU RoHS requirements for all 10 RoHS substances, including the requirement that RoHS substance do not exceed 0.1% by weight in homogeneous materials. Where designed to be soldered at high temperatures, "RoHS" products are suitable for use in specified lead-free processes. TI may reference these types of products as "Pb-Free".

RoHS Exempt: TI defines "RoHS Exempt" to mean products that contain lead but are compliant with EU RoHS pursuant to a specific EU RoHS exemption.

Green: TI defines "Green" to mean the content of Chlorine (Cl) and Bromine (Br) based flame retardants meet JS709B low halogen requirements of <=1000ppm threshold. Antimony trioxide based flame retardants must also meet the <=1000ppm threshold requirement.

(3) MSL, Peak Temp. - The Moisture Sensitivity Level rating according to the JEDEC industry standard classifications, and peak solder temperature.

(4) There may be additional marking, which relates to the logo, the lot trace code information, or the environmental category on the device.

(5) Multiple Device Markings will be inside parentheses. Only one Device Marking contained in parentheses and separated by a "~" will appear on a device. If a line is indented then it is a continuation of the previous line and the two combined represent the entire Device Marking for that device.

(6) Lead finish/Ball material - Orderable Devices may have multiple material finish options. Finish options are separated by a vertical ruled line. Lead finish/Ball material values may wrap to two lines if the finish value exceeds the maximum column width.

Important Information and Disclaimer:The information provided on this page represents TI's knowledge and belief as of the date that it is provided. TI bases its knowledge and belief on information provided by third parties, and makes no representation or warranty as to the accuracy of such information. Efforts are underway to better integrate information from third parties. TI has taken and continues to take reasonable steps to provide representative and accurate information but may not have conducted destructive testing or chemical analysis on incoming materials and chemicals. TI and TI suppliers consider certain information to be proprietary, and thus CAS numbers and other limited information may not be available for release.

In no event shall TI's liability arising out of such information exceed the total purchase price of the TI part(s) at issue in this document sold by TI to Customer on an annual basis.

TAPE AND REEL INFORMATION

QUADRANT ASSIGNMENTS FOR PIN 1 ORIENTATION IN TAPE


*All dimensions are nominal

Device	Package Type	Package Drawing	Pins	SPQ	Reel Diameter (mm)	Reel Width W1 (mm)	A0 (mm)	B0 (mm)	K0 (mm)	P1 (mm)	W (mm)	Pin1 Quadrant
TPS53511RGTR	VQFN	RGT	16	3000	330.0	12.4	3.3	3.3	1.1	8.0	12.0	Q2
TPS53511RGTT	VQFN	RGT	16	250	180.0	12.4	3.3	3.3	1.1	8.0	12.0	Q2

TAPE AND REEL BOX DIMENSIONS


*All dimensions are nominal

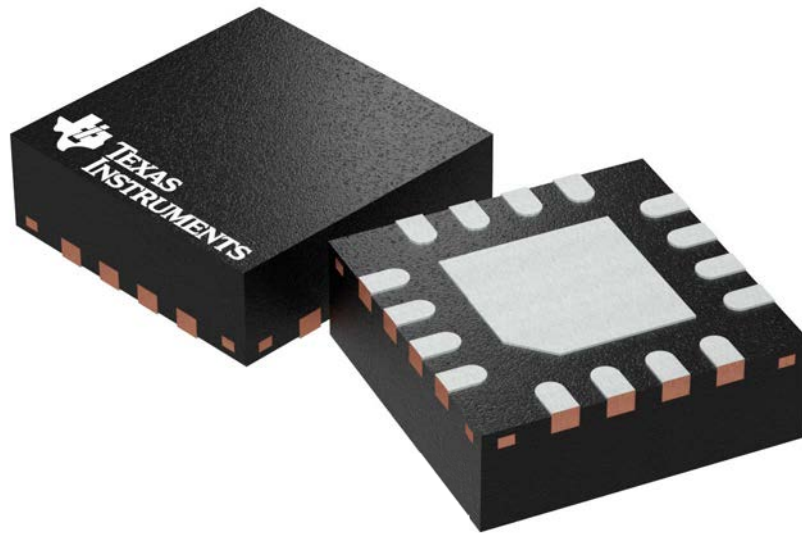
Device	Package Type	Package Drawing	Pins	SPQ	Length (mm)	Width (mm)	Height (mm)
TPS53511RGTR	VQFN	RGT	16	3000	367.0	367.0	35.0
TPS53511RGTT	VQFN	RGT	16	250	210.0	185.0	35.0

RGT 16

GENERIC PACKAGE VIEW

VQFN - 1 mm max height

PLASTIC QUAD FLATPACK - NO LEAD



Images above are just a representation of the package family, actual package may vary.
Refer to the product data sheet for package details.

4203495/1

IMPORTANT NOTICE AND DISCLAIMER

TI PROVIDES TECHNICAL AND RELIABILITY DATA (INCLUDING DATA SHEETS), DESIGN RESOURCES (INCLUDING REFERENCE DESIGNS), APPLICATION OR OTHER DESIGN ADVICE, WEB TOOLS, SAFETY INFORMATION, AND OTHER RESOURCES "AS IS" AND WITH ALL FAULTS, AND DISCLAIMS ALL WARRANTIES, EXPRESS AND IMPLIED, INCLUDING WITHOUT LIMITATION ANY IMPLIED WARRANTIES OF MERCHANTABILITY, FITNESS FOR A PARTICULAR PURPOSE OR NON-INFRINGEMENT OF THIRD PARTY INTELLECTUAL PROPERTY RIGHTS.

These resources are intended for skilled developers designing with TI products. You are solely responsible for (1) selecting the appropriate TI products for your application, (2) designing, validating and testing your application, and (3) ensuring your application meets applicable standards, and any other safety, security, regulatory or other requirements.

These resources are subject to change without notice. TI grants you permission to use these resources only for development of an application that uses the TI products described in the resource. Other reproduction and display of these resources is prohibited. No license is granted to any other TI intellectual property right or to any third party intellectual property right. TI disclaims responsibility for, and you will fully indemnify TI and its representatives against, any claims, damages, costs, losses, and liabilities arising out of your use of these resources.

TI's products are provided subject to [TI's Terms of Sale](#) or other applicable terms available either on ti.com or provided in conjunction with such TI products. TI's provision of these resources does not expand or otherwise alter TI's applicable warranties or warranty disclaimers for TI products.

TI objects to and rejects any additional or different terms you may have proposed.

Mailing Address: Texas Instruments, Post Office Box 655303, Dallas, Texas 75265
Copyright © 2022, Texas Instruments Incorporated