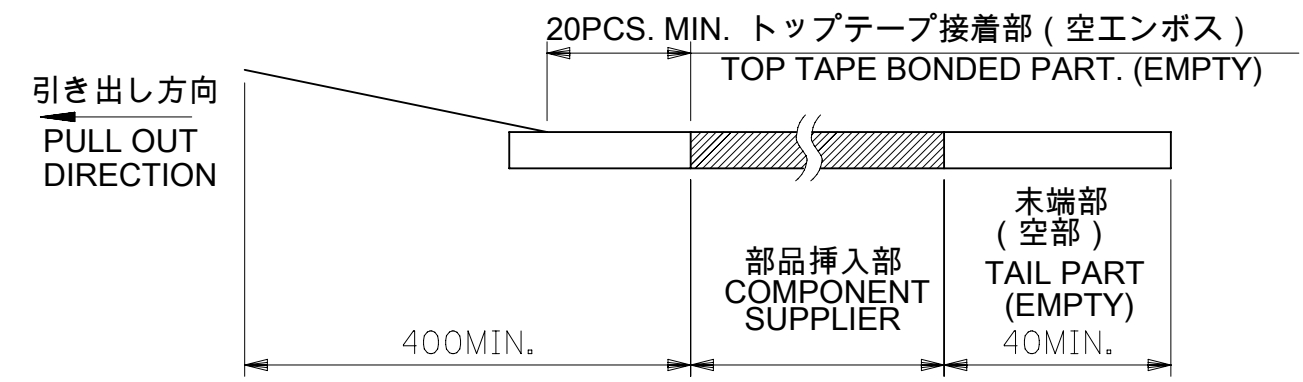
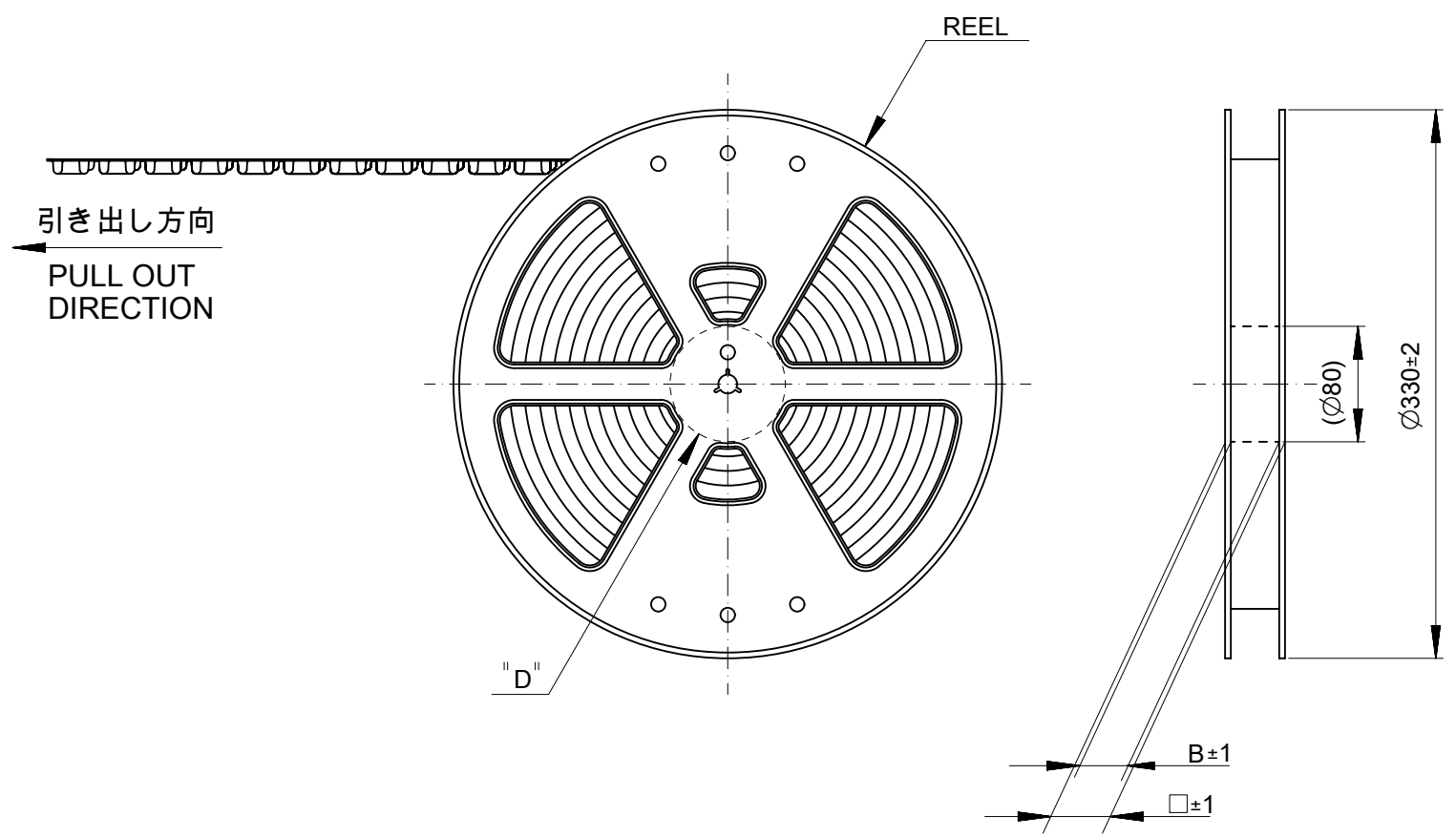
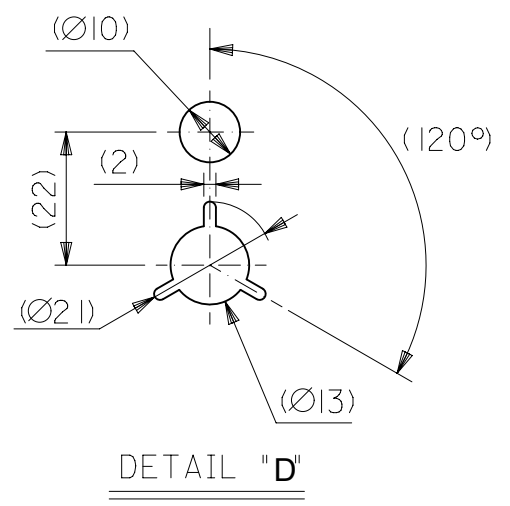


注記 NOTES

- 製品詳細寸法については製品単体図面を参照下さい。
RE DETAILED DIMENSION, SEE PRODUCT DRAWING.
- 梱包数量 : 3000個 / リール
NUMBER OF CONNECTORS : 3000PCS/REEL
- リードテープ長さ LEAD TAPE LENGTH

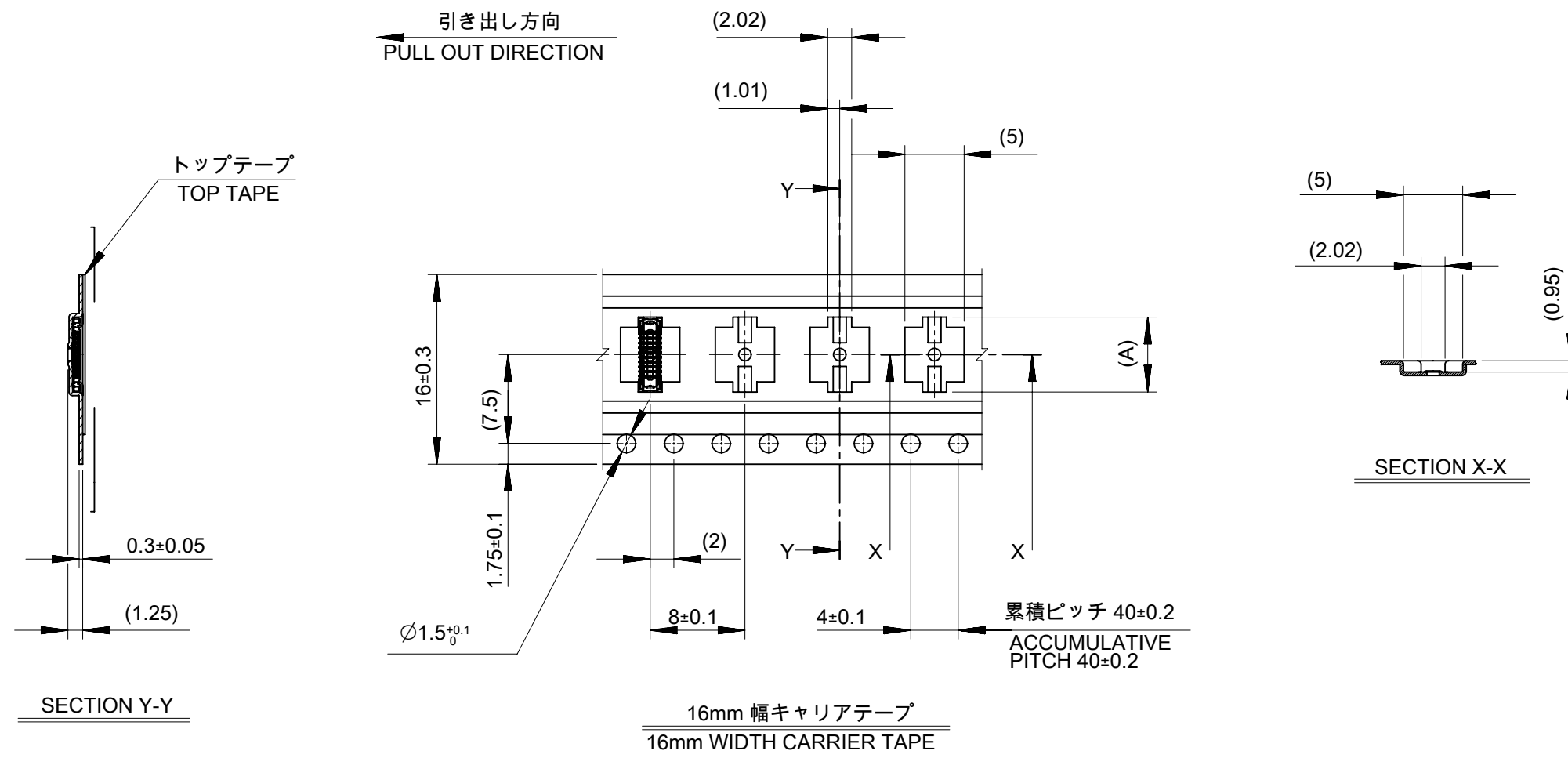


- トップテープの剥離強度については、IEC60286-3に準拠
TOP TAPE PEEL FORCE IS DEFINED BY IEC60286-3.
- 材料 MATERIAL
キャリアテープ (CARRIER TAPE) : ポリスチレン (POLYSTYRENE)
トップテープ (TOP TAPE) : PET , OTHER
リール (REEL) : ポリスチレン (PS) <リサイクル材を含む>
POLYSTYRENE (PS) <RECYCLE MATERIAL CONTAINED>
- ELV 及び RoHS適合品
ELV AND RoHS COMPLIANT



PRE-RELEASE
REFERENCE
USE ONLY

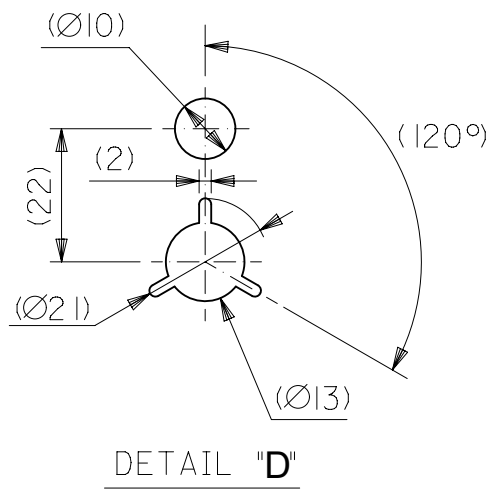
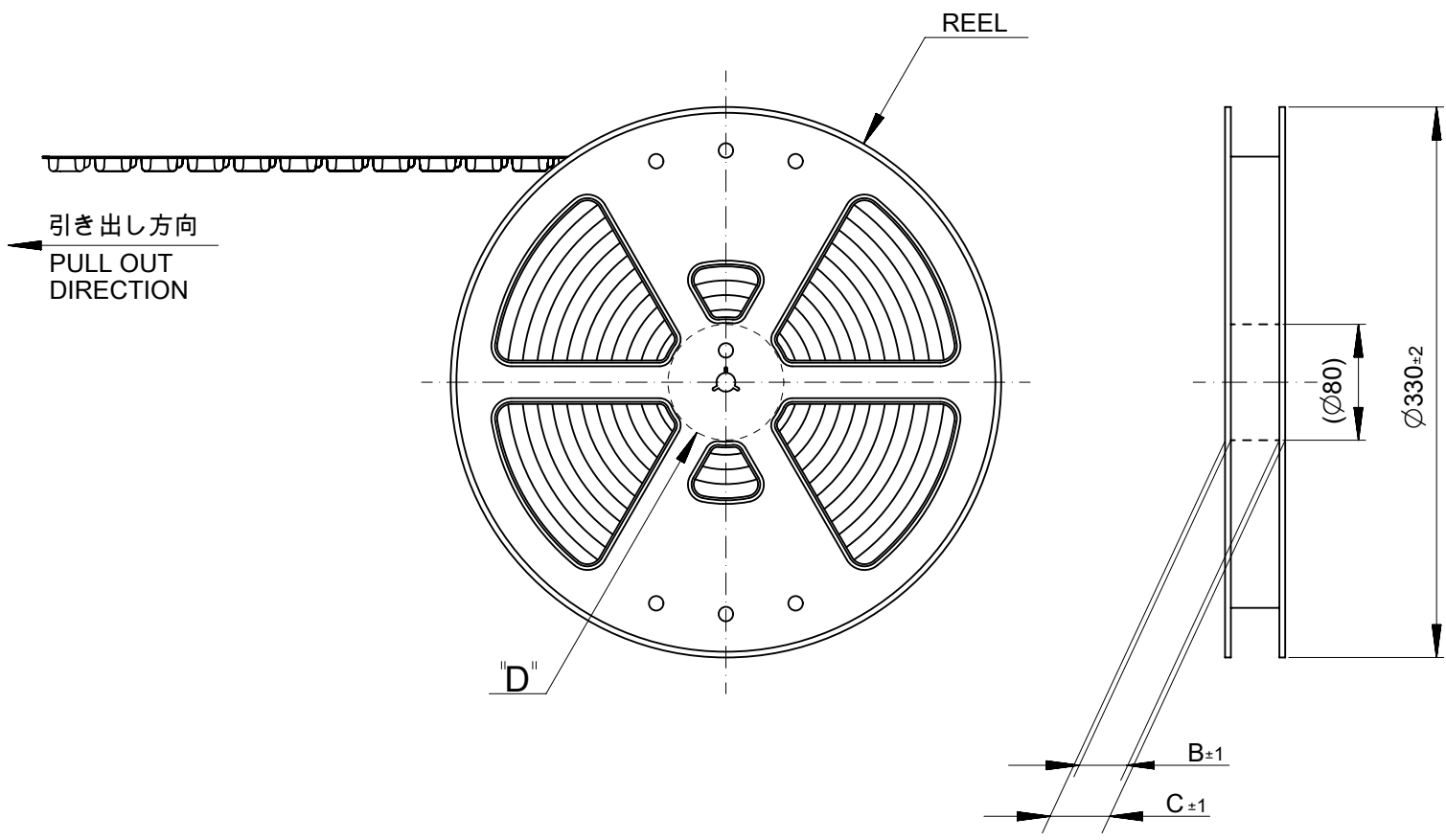
THIS DRAWING CONTAINS INFORMATION THAT IS PROPRIETARY TO MOLEX ELECTRONIC TECHNOLOGIES, LLC AND SHOULD NOT BE USED WITHOUT WRITTEN PERMISSION									
DIMENSION UNITS		SCALE		CURRENT REV DESC: REMOVED OBSOLETE PART NUMBER AS PER PCN#511691.				molex	
mm		NTS							
GENERAL TOLERANCES (UNLESS SPECIFIED)									
		MM		INCH					
4 PLACES		± 0.2		±		EC NO: 737858			
3 PLACES		± 0.25		±		DRWN: SANTHN 2023/02/10			
2 PLACES		± 0.3		±		CHK'D: GGA 2023/02/24			
1 PLACE		± 0.1		±		APPR: GGA 2023/02/24			
0 PLACES		±		±		INITIAL REVISION:			
ANGULAR TOL		± 1.0		±		DRWN: KAMINO 2014/05/13			
						APPR: KMORIKAWA 2014/05/15			
DRAFT WHERE APPLICABLE MUST REMAIN WITHIN DIMENSIONS				THIRD ANGLE PROJECTION		DRAWING		SERIES	
				A3-SIZE		504208		MATERIAL NUMBER	
				SEE TABLE		CUSTOMER		GENERAL MARKET	
								DOCUMENT NUMBER	
								SD-504208-004	
								DOC TYPE	
								PSD	
								DOC PART	
								001	
								REVISION	
								A1	
								SHEET NUMBER	
								1 OF 2	



16	21.4	17.4	7.12	504208-2480	○	---	24
			6.32	504208-2080	---	---	20
			5.52	504208-1680	○	---	16
			5.12	504208-1480	---	---	14
			4.72	504208-1280	○	---	12
			4.32	504208-1080	○	---	10
キャリアテープ幅 CARRIER TAPE WIDTH	C	B	(A)	MATERIAL No.	量産品 MASS PRODUCTION	試作対応 LOW VOL. TOOL	極数 CIRCUIT
				MODEL No.	サンプル供給 SAMPLE PREPARATION	504208-**80	

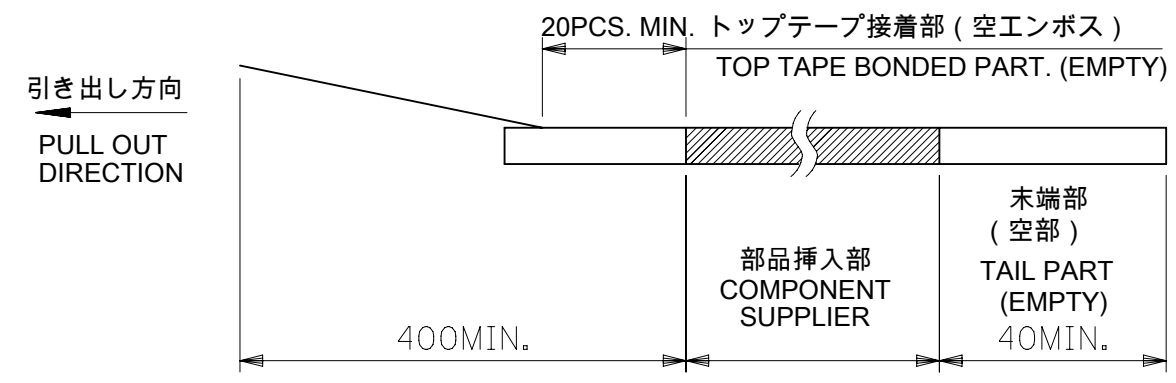
THIS DRAWING CONTAINS INFORMATION THAT IS PROPRIETARY TO MOLEX ELECTRONIC TECHNOLOGIES, LLC AND SHOULD NOT BE USED WITHOUT WRITTEN PERMISSION

DIMENSION UNITS	SCALE	CURRENT REV DESC: REMOVED OBSOLETE PART NUMBER AS PER PCN#511691.	molex																				
mm	NTS																						
GENERAL TOLERANCES (UNLESS SPECIFIED)			0.4 BB CONN. H=0.8 REC ASSY. FOR CHECKER EMBSTP. PKG																				
			PRODUCT CUSTOMER DRAWING																				
<table border="1"> <tr> <th>PLACES</th> <th>MM</th> <th>INCH</th> </tr> <tr> <td>4 PLACES</td> <td>± 0.2</td> <td>±</td> </tr> <tr> <td>3 PLACES</td> <td>± 0.25</td> <td>±</td> </tr> <tr> <td>2 PLACES</td> <td>± 0.3</td> <td>±</td> </tr> <tr> <td>1 PLACE</td> <td>± 0.1</td> <td>±</td> </tr> <tr> <td>0 PLACES</td> <td>±</td> <td>±</td> </tr> </table>			PLACES	MM	INCH	4 PLACES	± 0.2	±	3 PLACES	± 0.25	±	2 PLACES	± 0.3	±	1 PLACE	± 0.1	±	0 PLACES	±	±	EC NO: 737858 DRWN: SANTHN 2023/02/10 CHK'D: GGA 2023/02/24 APPR: GGA 2023/02/24 INITIAL REVISION: DRWN: KAMINO 2014/05/13 APPR: KMORIKAWA 2014/05/15		
PLACES	MM	INCH																					
4 PLACES	± 0.2	±																					
3 PLACES	± 0.25	±																					
2 PLACES	± 0.3	±																					
1 PLACE	± 0.1	±																					
0 PLACES	±	±																					
DRAFT WHERE APPLICABLE MUST REMAIN WITHIN DIMENSIONS			DOCUMENT NUMBER: SD-504208-004 DOC TYPE: PSD DOC PART: 001 REVISION: A1																				
THIRD ANGLE PROJECTION			MATERIAL NUMBER: SEE TABLE CUSTOMER: GENERAL MARKET SHEET NUMBER: 2 OF 2																				



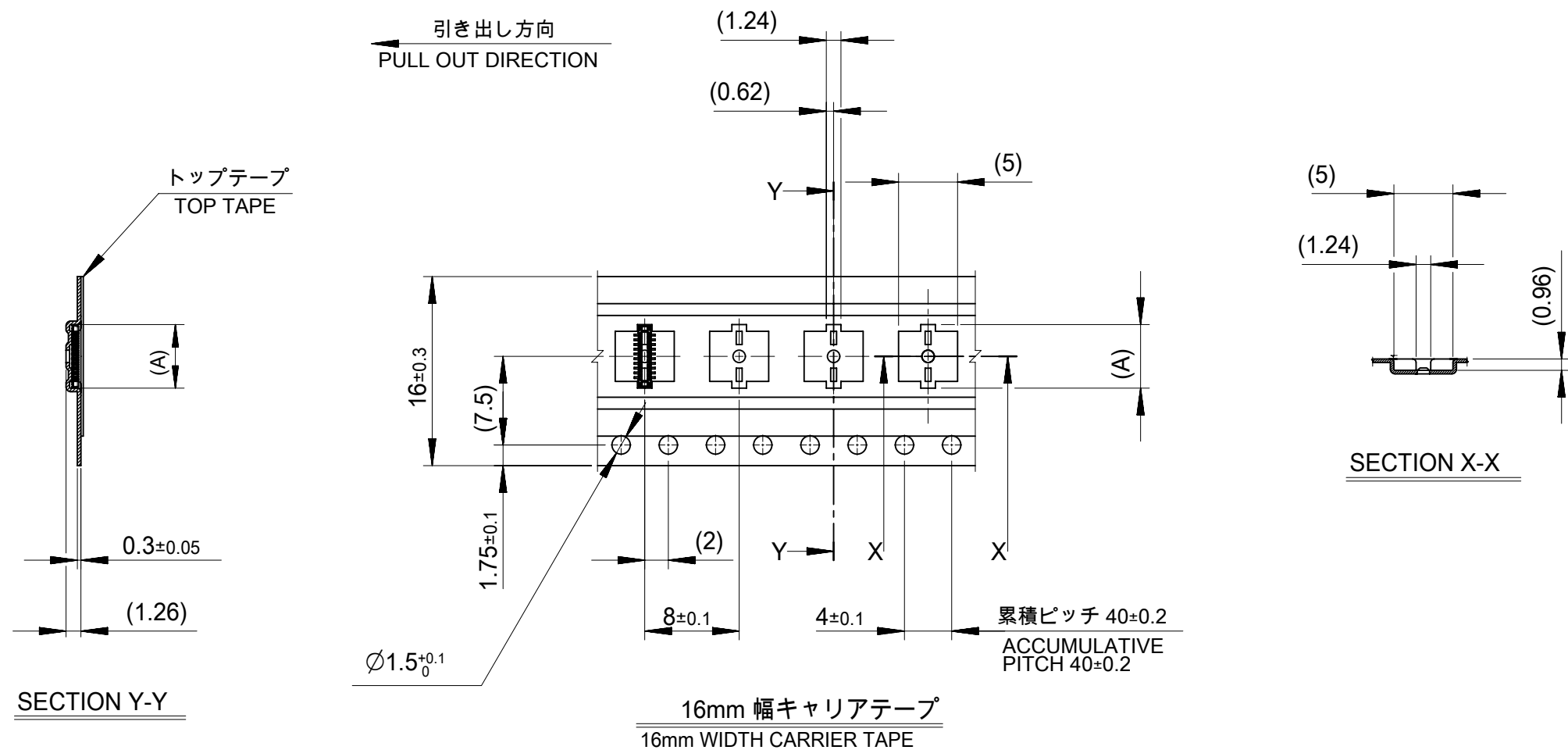
注記 NOTES

- 製品詳細寸法については製品単体図面を参照下さい。
RE DETAILED DIMENSION, SEE PRODUCT DRAWING.
- 梱包数量 : 3000 個 / リール
NUMBER OF CONNECTORS : 3000PCS/REEL
- リードテープ長さ LEAD TAPE LENGTH



- トップテープの剥離強度については、IEC60286-3に準拠
TOP TAPE PEEL FORCE IS DEFINED BY IEC60286-3.
- 材料 MATERIAL
キャリアテープ (CARRIER TAPE) : ポリスチレン (POLYSTYRENE)
トップテープ (TOP TAPE) : PET, OTHER
リール (REEL) : ポリスチレン (PS) <リサイクル材を含む>
POLYSTYRENE (PS) <RECYCLE MATERIAL CONTAINED>
- ELV 及び RoHS 適合品
ELV AND RoHS COMPLIANT

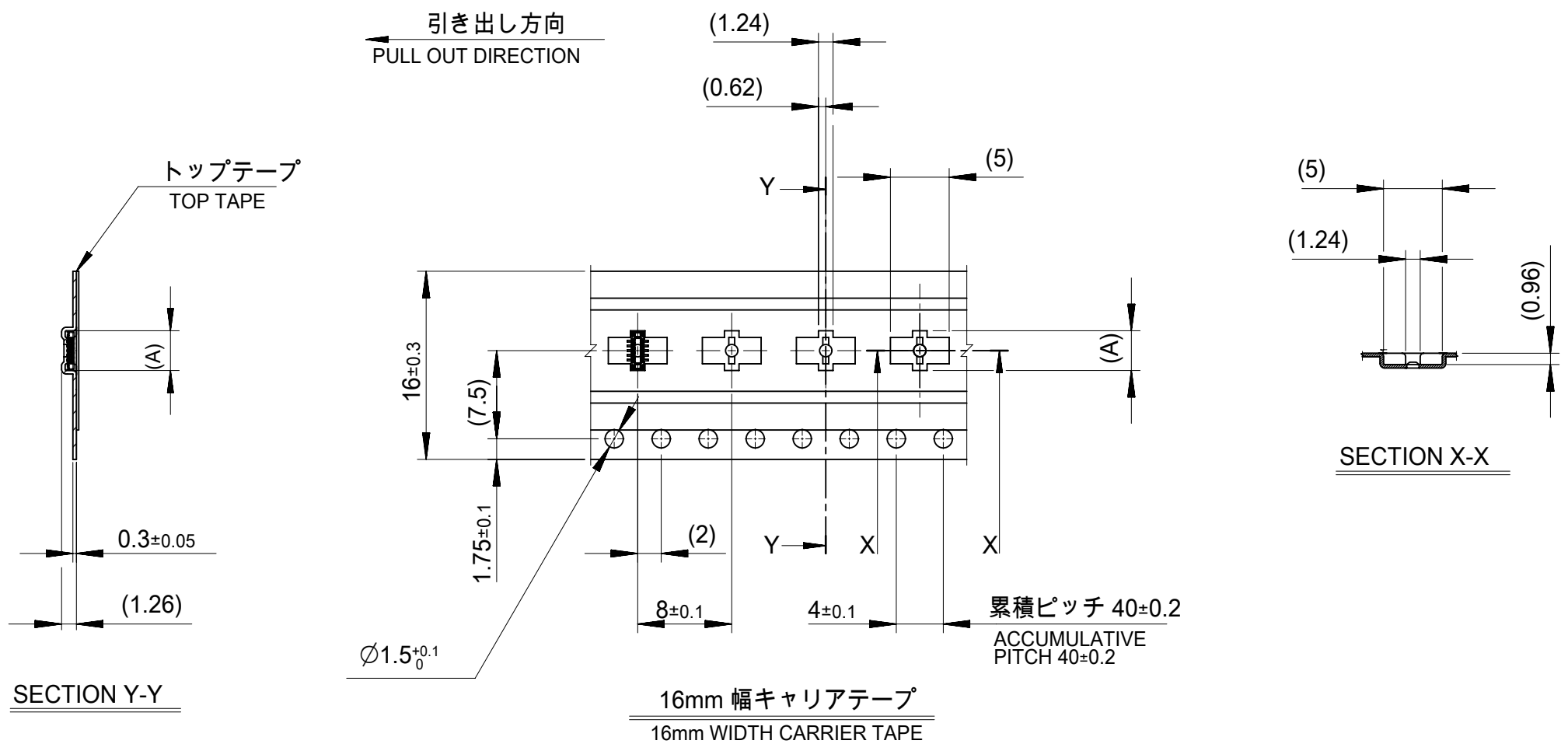
THIS DRAWING CONTAINS INFORMATION THAT IS PROPRIETARY TO MOLEX ELECTRONIC TECHNOLOGIES, LLC AND SHOULD NOT BE USED WITHOUT WRITTEN PERMISSION									
DIMENSION UNITS mm		SCALE 1:1		CURRENT REV DESC: REMOVED OBSOLETE PART NUMBERS AS PER PCN#511691					
GENERAL TOLERANCES (UNLESS SPECIFIED)				molex 0.4 BB CONN. H=0.8 PLUG ASSY. FOR CHECKER EMBSTP. PKG PRODUCT CUSTOMER DRAWING					
ANGULAR TOL ± 1.0°									
4 PLACES ± 0.2									
3 PLACES ± 0.25									
2 PLACES ± 0.3									
1 PLACE ± 0.1									
0 PLACES ±				EC NO: 737858		DRWN: LIKITV		2023/02/13	
DRAFT WHERE APPLICABLE MUST REMAIN WITHIN DIMENSIONS				THIRD ANGLE PROJECTION		DRAWING		SERIES	
DOCUMENT STATUS		P1		RELEASE DATE		2023/02/24		09:13:09	
FORMAT: master-b-prod-A3		REVISION: J1		DATE: 2021/05/01		A3-SIZE		504248	
MATERIAL NUMBER				CUSTOMER		DOCUMENT NUMBER		DOC TYPE	
SEE SHEET 2 & 3				GENERAL MARKET		SD-504248-004		PSD 001 C1	
SHEET NUMBER				1 OF 3		REVISION		C1	



16	21.4	17.4	6.18	504248-2480	○	---	24
キャリアテープ幅 CARRIER TAPE WIDTH	C	B	(A)	MATERIAL No.	量産品 MASS PRODUCTION	試作対応 LOW VOL. TOOL	極数 CIRCUIT
				MODEL No.	サンプル供給 SAMPLE PREPARATION		504248-**80

THIS DRAWING CONTAINS INFORMATION THAT IS PROPRIETARY TO MOLEX ELECTRONIC TECHNOLOGIES, LLC AND SHOULD NOT BE USED WITHOUT WRITTEN PERMISSION

DIMENSION UNITS mm	SCALE NTS	CURRENT REV DESC: REMOVED OBSOLETE PART NUMBERS AS PER PCN#511691	molex	
GENERAL TOLERANCES (UNLESS SPECIFIED)		EC NO: 737858		
ANGULAR TOL	± 1.0 °	DRWN: LIKITV	2023/02/13	
4 PLACES	± 0.2	CHK'D: GGA	2023/02/24	
3 PLACES	± 0.25	APPR: GGA	2023/02/24	
2 PLACES	± 0.3	INITIAL REVISION:	PRODUCT CUSTOMER DRAWING	
1 PLACE	± 0.1	DRWN: KAMINO	DOCUMENT NUMBER	DOC TYPE
0 PLACES	±	APPR: KMORIKAWA	SD-504248-004	PSD
DRAFT WHERE APPLICABLE MUST REMAIN WITHIN DIMENSIONS		THIRD ANGLE PROJECTION	SERIES	DOC PART
			A3-SIZE	001
			504248	C1
			MATERIAL NUMBER	REVISION
			SEE CHART	2 OF 3
			CUSTOMER	
			GENERAL MARKET	



16	21.4	17.4	3.38	504248-1080	○	---	10
キャリアテープ幅 CARRIER TAPE WIDTH	C	B	(A)	MATERIAL No.	量産品 MASS PRODUCTION	試作対応 LOW VOL. TOOL	極数 CIRCUIT
				MODEL No.	サンプル供給 SAMPLE PREPARATION		504248-**80

THIS DRAWING CONTAINS INFORMATION THAT IS PROPRIETARY TO MOLEX ELECTRONIC TECHNOLOGIES, LLC AND SHOULD NOT BE USED WITHOUT WRITTEN PERMISSION

DIMENSION UNITS mm	SCALE NTS	CURRENT REV DESC: REMOVED OBSOLETE PART NUMBERS AS PER PCN#511691	molex	
GENERAL TOLERANCES (UNLESS SPECIFIED)		EC NO: 737858		
ANGULAR TOL	± 1.0°	DRWN: LIKITV 2023/02/13	0.4 BB CONN. H=0.8 PLUG ASSY. FOR CHECKER EMBSTP. PKG	
4 PLACES	± 0.2	CHK'D: GGA 2023/02/24	PRODUCT CUSTOMER DRAWING	
3 PLACES	± 0.25	APPR: GGA 2023/02/24	DOCUMENT NUMBER	
2 PLACES	± 0.3	INITIAL REVISION:	SD-504248-004	
1 PLACE	± 0.1	DRWN: KAMINO 2014/05/13	DOC TYPE	DOC PART
0 PLACES	±	APPR: KMORIKAWA 2014/05/15	PSD	001
DRAFT WHERE APPLICABLE MUST REMAIN WITHIN DIMENSIONS	THIRD ANGLE PROJECTION	DRAWING	SERIES	REVISION
		A3-SIZE	504248	C1
		MATERIAL NUMBER	CUSTOMER	SHEET NUMBER
		SEE CHART	GENERAL MARKET	3 OF 3